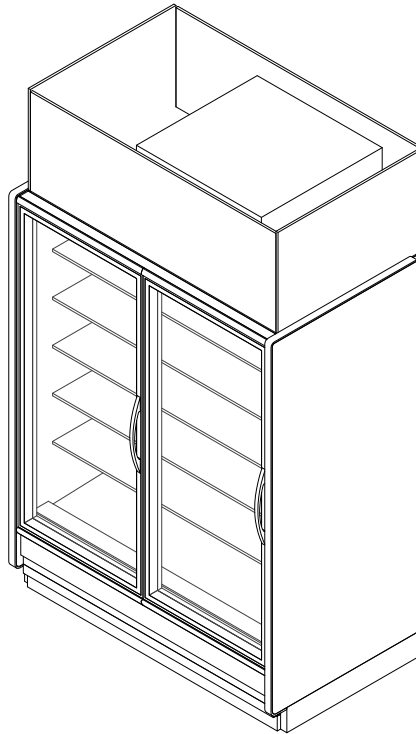


GENERAL NOTES

- Anti-condensate heat values represent a door with no heat.
- Light controls - occupancy sensors are required
 - Option 1: OEM Provided: Lighting controls (on/off) are standard unless otherwise specified
 - Option 2: End User Provided: Light controls should be based on occupancy sensors
- Light wattages below reflect 100% run time. To acquire DOE representation, reduce the light wattages by 42% at 75°F/55%RH



SHIPPING WEIGHT	
Case	Weight
JNRBHS AK	1000 - 2000 LBs



ALL MEASUREMENTS ARE TAKEN PER ASHRAE-72-2005 SPECIFICATIONS. HILLPHOENIX REFRIGERATED DISPLAY CASES FOR SALE IN THE UNITED STATES MEET OR EXCEED DEPARTMENT OF ENERGY 2017 REQUIREMENTS.

JNRBHS AK

Rev Date:	Rev #	Revision Description:
9-5-18	0	CASE CREATION

SYSTEM REQUIREMENTS				
Case Length	Volts	Phase	Frequency (Hz)	Provided Overcurrent Protection
2-Door	208	1	60	20

GUIDELINES AND CONTROL SETTINGS			
Application	Superheat Set Point @Bulb (°F)	Discharge Air Set Point (°F)	Discharge Air Velocity (cfm)
Beverage	6-8	35	230
Dairy	6-8	31	230
Deli	6-8	30	230
Meat	6-8	28	230

Case Length	24hr Energy Usage (kWh) *
	DOE
2-Door	6.09

*- 24 Hour Energy values includes evaporate fans, standard LEDs, anti-condensate heat & condensing unit

CONDENSING UNIT DATA								
Case Length	Volts	Phase	Frequency (Hz)	Horsepower	Running Load Amps (RLA) (Amps)	Locked Rotor Amps (LRA) (Amps)	Refrigerant	Lbs. of Refrigerant
2-Door	208	1	60	1/3	4.2	16.8	R404A	2.2

DEFROST CONTROLS				
Application	Defrosts Per Day	Run-Off Time (min)	Timed-Off Defrosts	
			Fail-Safe (min)	Termination Temp
Beverage	2	0	45	42
Dairy/Deli	2	0	45	38

DEFROST SCHEDULE	
Defrost Per Day	Time
1	12 midnight
2	12am - 12pm

NOTES

- "----" indicates that this feature is not an option on this case model.
- Anti-condensate heat values represent a door with no heat.
- Listed discharge air velocity represents the average velocity at the peak of defrost.
- Temperature and defrost settings listed below are recommended start-up settings. Final operational settings may need to be adjusted for the store conditions in which the case operates.
- The recommended evaporator temperatures may need to be adjusted based on system setup, store conditions, etc. The minimum recommended evaporator temperature is 4°F below the listed evaporator temperature.



JNRBHS AK

ALL MEASUREMENTS ARE TAKEN PER ASHRAE-72-2005 SPECIFICATIONS. HILLPHOENIX REFRIGERATED DISPLAY CASES FOR SALE IN THE UNITED STATES MEET OR EXCEED DEPARTMENT OF ENERGY 2017 REQUIREMENTS.

Rev Date:	Rev #	Revision Description:
9-5-18	0	CASE CREATION



A DOVER COMPANY

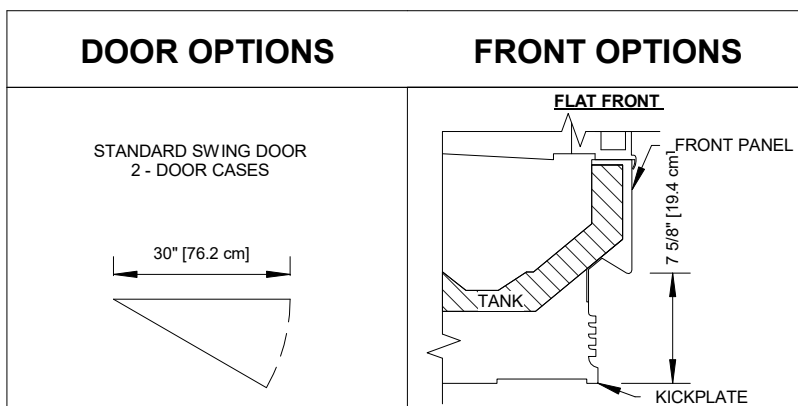
JNRBHS AK (Meal Kit) Case Configuration		
Case Model	JNRBHS AK (Meal Kit) Base Model	JNRBHS AK (Meal Kit) Configured Options
Length	2 Door	Optional: 4' (coming soon)
Case Use	Beverage, Dairy, Deli, Meat	
Base Frame	Std 5"	Optional: Split Base Frame (2" +3.25) for 80" Doorway Restriction
Exterior Color	Black	Optional: Custom Color
Interior Color	White	Optional: Custom, Bright Stainless SA
LH End Type	Square	
RH End Type	Square	
End Skins	Interior: CC or WH Exterior: CC	Optional: Interior:SA Exterior:S3
End Trim Type/Color	Black PVC	Optional: Stainless Steel Metal Trim
Door Type (Std, Elim, Etc.)	ELMD	Optional: I90
Door Frame Style	101	
Door Lighting	LED-Optimax Radiant	
Door Handle (Full, Short)	Short	Optional: Arch or Full for I90
Door Color	Black	
Anti Fog	No	With Anti Fog Coating
Door Gasket Type	Standard	LifePlus
Master Bumper	None	
Nose Bumper	Boston Bumper with End Caps / Black	
Rack Type	White, 22" with 4" lip	
Shelf Arrangement	(5) 22" Shelves	
PTM Type	Aluminum	
Wiring	Top; 208V 4 Wire Single Point Connection, Carel Controller	
Refrigerant	DX (R404a)	
Piping	Top	
Defrost	Off Cycle	
Heat Exchanger	None	
Fans (HE, STD)	ECM	
Refrigeration Accessories	None	
Thermometer	Std - Dial	
Probe	None	
Special Instructions	Ship Loose Condensing Unit + Drain Pump + Pan	Optional: Fully Installed Condensing Unit + Pump + Pan



JNRBHS AK

ALL MEASUREMENTS ARE TAKEN PER ASHRAE-72-2005 SPECIFICATIONS. HILLPHOENIX REFRIGERATED DISPLAY CASES FOR SALE IN THE UNITED STATES MEET OR EXCEED DEPARTMENT OF ENERGY 2017 REQUIREMENTS.

Rev Date:	Rev #	Revision Description:
9-5-18	0	CASE CREATION

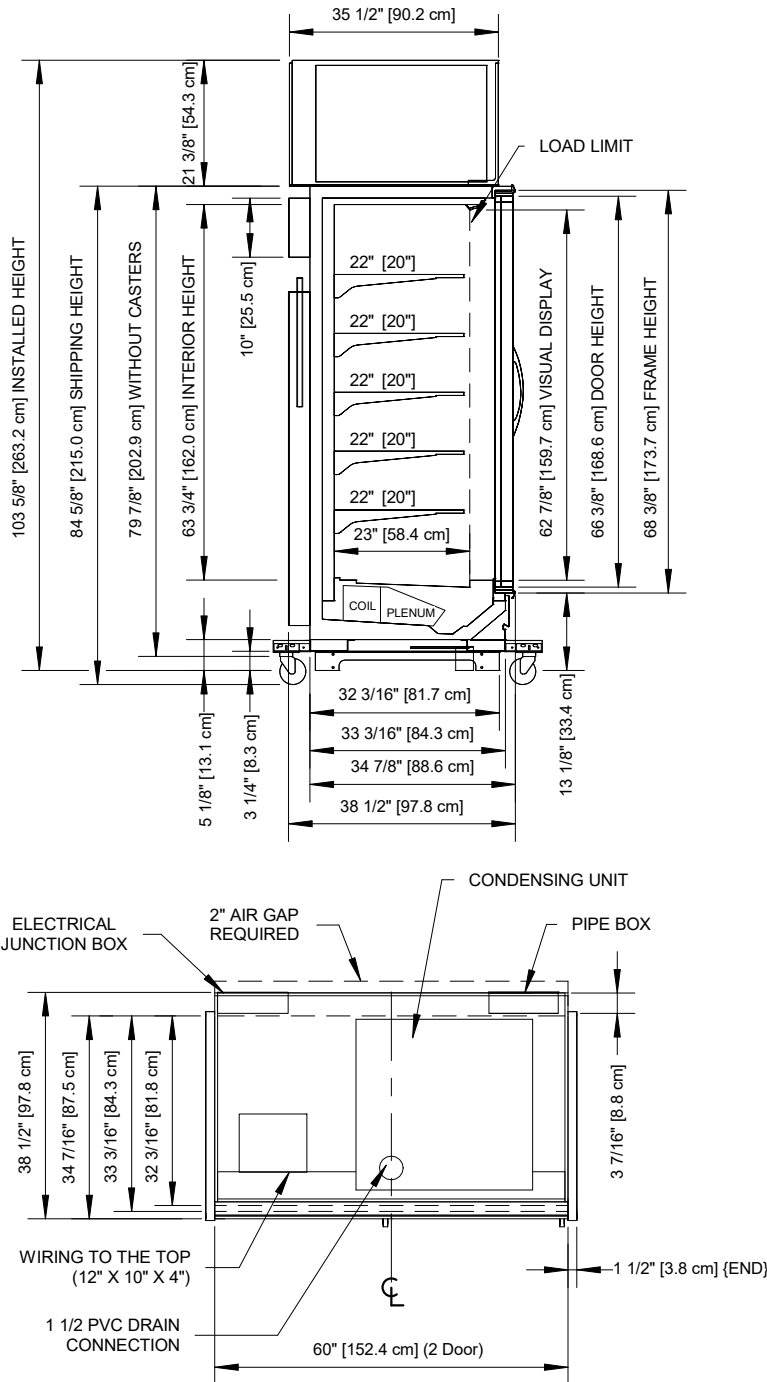


COMPONENT

ALL MEASUREMENTS ARE TAKEN PER ASHRAE-72-2005 SPECIFICATIONS. HILLPHOENIX REFRIGERATED DISPLAY CASES FOR SALE IN THE UNITED STATES MEET OR EXCEED DEPARTMENT OF ENERGY 2017 REQUIREMENTS.

JNRBHSK

Rev Date:	Rev #	Revision Description:
9-5-18	0	CASE CREATION



NOTES

* : STUB-UP AREA.

** : RECOMMENDED STUB-UP CENTERLINE FOR ELECTRICAL AND HUB DRAINS.

- Specialized Base Frame:
 - Case fits through 80" doorway with shipping undercarriage removed.
 - 2" lifting brackets (installed) & 3.25" ship loose risers combine for 5" baseframe once installed.
 - Drain traps ship loose.
- Ends add approximately 1" to case height, 1/2" to the back & 1" to the front.



COMPONENT

ALL MEASUREMENTS ARE TAKEN PER ASHRAE-72-2005 SPECIFICATIONS. HILLPHOENIX REFRIGERATED DISPLAY CASES FOR SALE IN THE UNITED STATES MEET OR EXCEED DEPARTMENT OF ENERGY 2017 REQUIREMENTS.

JNRBHSK

Rev Date:	Rev #	Revision Description:
9-5-18	0	CASE CREATION

Hillphoenix

A DOVER COMPANY