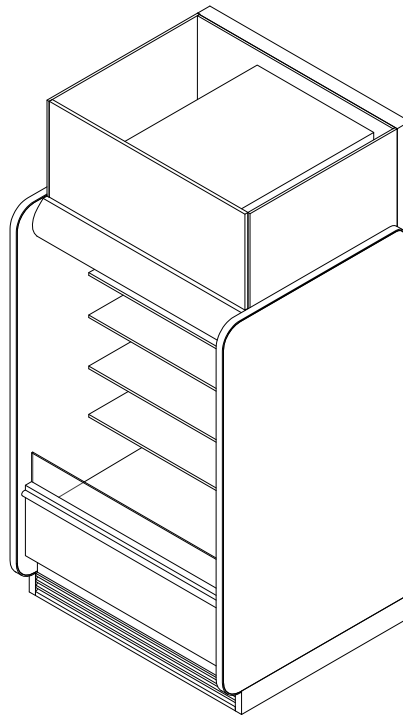


## GENERAL NOTES

- " - - -" indicates that the feature is not an option for this case model and/or the data is not yet available.
- LED lights only.
- Maximum of 5 rows of Standard Output LED lighted shelves.



SHIPPING WEIGHT	
Case	Weight
O5DMAK-NRG	---



ALL MEASUREMENTS ARE TAKEN PER ASHRAE-72-2005 SPECIFICATIONS. HILLPHOENIX REFRIGERATED DISPLAY CASES FOR SALE IN THE UNITED STATES MEET OR EXCEED DEPARTMENT OF ENERGY 2017 REQUIREMENTS.

## O5DMAK-NRG

Rev Date:	Rev #	Revision Description:
9/4/18	2	NEW CASE CONFIGURATION
7/11/18	1	NEW CASE OFFERING

SYSTEM REQUIREMENTS						
Case Length	Volts	Phase	Frequency (Hz)	Wire	Minimum Circuit Ampacity	Maximum Overcurrent Protection
4'	208	1	60	3 wire + ground	20.70	25

ELECTRICAL DATA							
Case Length	Fans Per Case	High Efficiency Fans		Drain Pump		Evaporator Pan Heater	
		120 Volts		120 Volts		120 Volts	
		Amps	Watts	Amps	Watts	Amps	Watts
4'	2	0.47	28	0.80	47	7.21	1500

LIGHTING DATA					
Case Length	Lights per row	Clearvoyant v4 LED Lighting (Per Light Row)			
		Standard Power (Cornice or Shelf)		High Power (Cornice Only)	
		120 Volts		120 Volts	
		Amps	Watts	Amps	Watts
4'	1	0.05	5.9	0.12	14.9

GUIDELINES AND CONTROL SETTINGS			
Suction Pressure @ Case Outlet (psig)	Superheat Set Point @ Bulb (°F)	Discharge Air (°F)	Discharge Air Velocity (FPM)
58	6 - 8	31	200

CONDENSING UNIT DATA								
Case Length	Volts	Phase	Frequency (Hz)	Horsepower	Running Load Amps (RLA) (Amps)	Locked Rotor Amps (LRA) (Amps)	Refrigerant	Lbs. of Refrigerant
4'	208	1	60	1	9.6	46	R404A	4.5

DEFROST CONTROLS		
Defrosts Per Day	Timed-Off Defrost	
	Fail-Safe (Min)	Termination Temp (°F)
6	45	42

## NOTES:

- " - - -" indicates that the feature is not an option for this case model and/or the data is not yet available.
- Listed discharge air velocity represents the average velocity at the peak of defrost.
- Temperature and defrost settings listed above are recommended start-up settings. Final operational settings may need to be adjusted for the store conditions in which the case operates.
- The recommended evaporator temperatures may need to be adjusted based on system setup, store conditions, etc. The minimum recommended evaporator temperature is 4°F below the listed evaporator temperature.



## O5DMAK-NRG

ALL MEASUREMENTS ARE TAKEN PER ASHRAE-72-2005 SPECIFICATIONS. HILLPHOENIX REFRIGERATED DISPLAY CASES FOR SALE IN THE UNITED STATES MEET OR EXCEED DEPARTMENT OF ENERGY 2017 REQUIREMENTS.

Rev Date:	Rev #	Revision Description:
9/4/18	2	NEW CASE CONFIGURATION
7/11/18	1	NEW CASE OFFERING



# O5DMAK-NRG

Self-Contained Multi-Deck Merchandiser  
4' (Meal Kits)

O5DMAK-NRG Case Configuration		
Case Model	O5DMAK-NRG Base Model	O5DMAK-NRG Configured Options
Length	4'	
Case Use	Meal Kits	
Base Frame	5"	n/a
Exterior Color	Black	Stainless
LH End Type	Solid	Square
RH End Type	Solid	Square
End Skins	Painted/Painted	Interior SA/Exterior Black Stainless/Stainless
End Trim Type/Color	Black PVC	Stainless
Front Type	Flat Front with 6" Plexi	
Front Panel Type	Flat	Contour
ColorBand Panel Finish	Black	Stainless
Sill Cap Finish	Painted	Stainless
Cornice Type	Flat	Curved
Cornice Finish	Painted	Stainless
Tank Finish	Painted	Aluminum Stainless
Interior Color	White	Black Stainless
Baffle Finish	White	Black Stainless
Frame Finish	White	Black
Flue Panel Finish	White	Black Stainless
Deck Pan Type	Metal	Plastic
Deck Pan Finish/Color	White	Black Galvanized Painted Stainless
Mirror Size	None	
Wire Rack Type	Telescopic	Fixed Front Lip Height
Wire Rack Finish	White	Black Stainless
Shelf Depth	22" (Flat)	
PTM Type	AL	PVC
LED Type	Standard	High
LED Color	30k	35k 40k
Cornice Lighting Type	2 Row	1 Row
Refrigerant	R404a	
Piping	Top	
Defrost	Off Cycle	
Fans	ECM	
Refrigeration Accessories	None	Optional: Solenoid, Thermostat
Thermometer	Std	
Probe	None	Optional: Electronic Sensor
Special Instructions	Shiploose Condensing Unit + drain pump + pan	Optional: Fully installed condensing unit + pump + pan



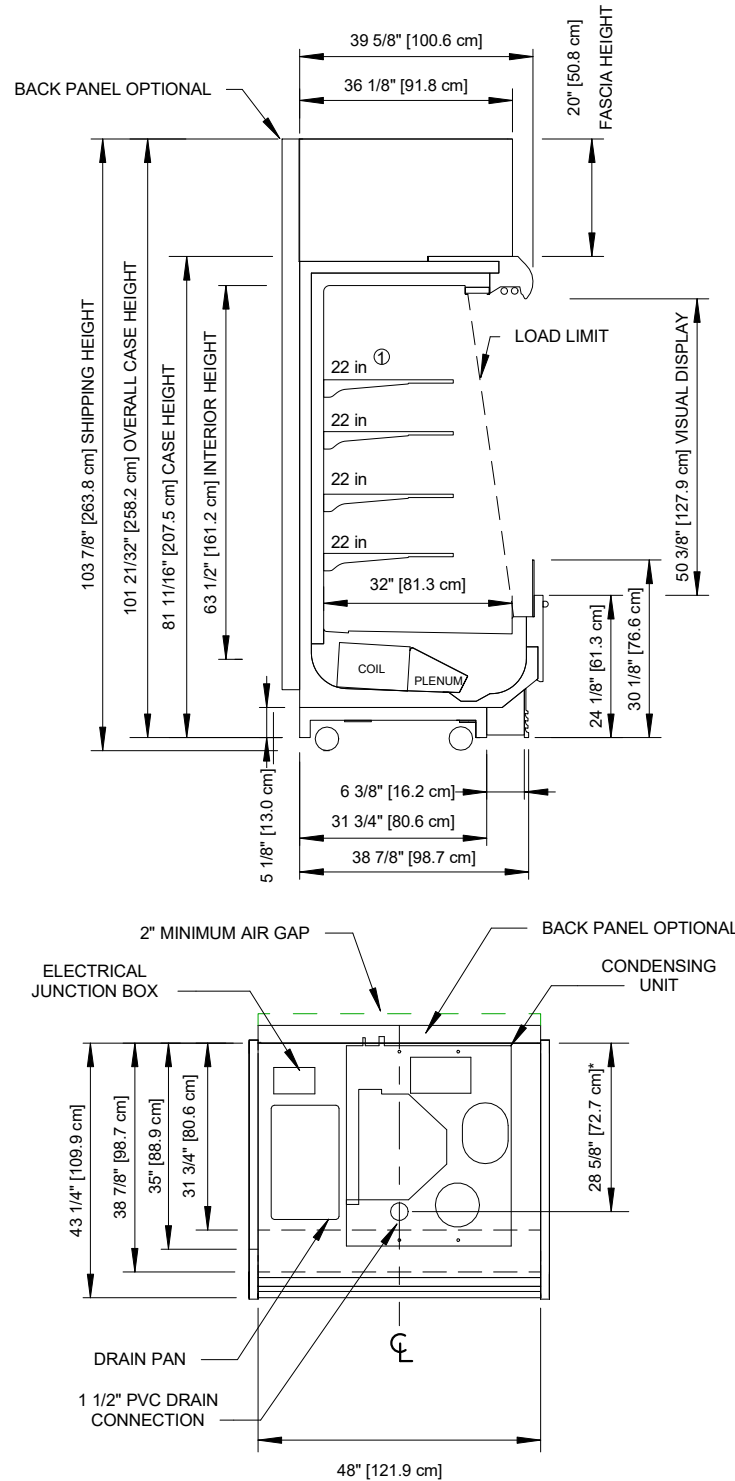
COMPONENT

ALL MEASUREMENTS ARE TAKEN PER ASHRAE-72-2005 SPECIFICATIONS. HILLPHOENIX REFRIGERATED DISPLAY CASES FOR SALE IN THE UNITED STATES MEET OR EXCEED DEPARTMENT OF ENERGY 2017 REQUIREMENTS.

## O5DMAK-NRG

Rev Date:	Rev #	Revision Description:
9/4/18	2	NEW CASE CONFIGURATION
7/11/18	1	NEW CASE OFFERING

**Hillphoenix**  
A DOVER COMPANY



**NOTES:**

- \* : STUB-UP AREA
- \*\* : RECOMMENDED STUB-UP CENTERLINE FOR ELECTRICAL AND DRAINS
- ① : AVAILABLE SHELF SIZES: 22"(SHELVES MUST BE FLAT)

- Ends add approximately 1" to case height, 1/2" to the back of the case and 1" to the front of the case.
- Back panels add approximately 1" to the rear of the case.



ALL MEASUREMENTS ARE TAKEN PER ASHRAE-72-2005 SPECIFICATIONS. HILLPHOENIX REFRIGERATED DISPLAY CASES FOR SALE IN THE UNITED STATES MEET OR EXCEED DEPARTMENT OF ENERGY 2017 REQUIREMENTS.

### O5DMAK-NRG

Rev Date:	Rev #	Revision Description:
9/4/18	2	NEW CASE CONFIGURATION
7/11/18	1	NEW CASE OFFERING

