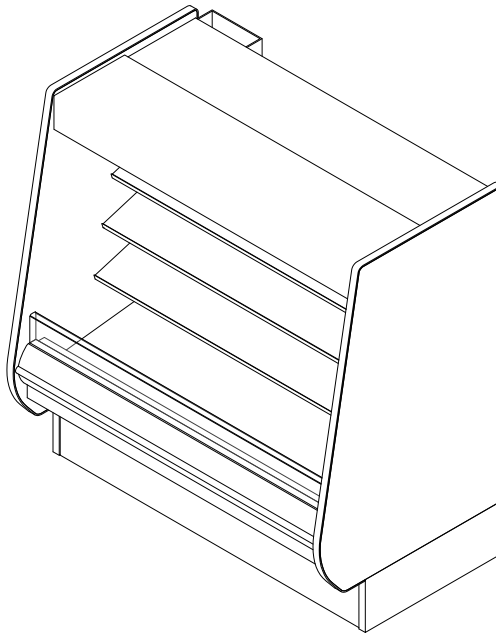


GENERAL NOTES

- " - - -" indicates that the feature is not an option for this case model and/or the data is not yet available.
- LED lights only.
- Maximum of 3 rows of standard output LED lighted shelves.
- Nose lights are not available.



SHIPPING WEIGHT	
Case	Weight
OHMAK-NRG	---



COMPONENT

ALL MEASUREMENTS ARE TAKEN PER ASHRAE-72-2005 SPECIFICATIONS. HILLPHOENIX REFRIGERATED DISPLAY CASES FOR SALE IN THE UNITED STATES MEET OR EXCEED DEPARTMENT OF ENERGY 2017 REQUIREMENTS.

OHMAK-NRG

Rev Date:	Rev #	Revision Description:
9-19-18	3	DATA UPDATE
8-7-18	2	NEW STANDARDS

LIGHTING DATA				
Lights per row	Clearvoyant v4 LED Lighting (Per Light Row)			
	Standard Power (Cornice or Shelf)		High Power (Cornice Only)	
	120 Volts		120 Volts	
	Amps	Watts	Amps	Watts
2	0.08	9.4	0.20	23.8

SYSTEM REQUIREMENT				
Volts	Phase	Frequency	Plug Style	Cord Length
208	1	60	NEMA L14-20P	120"

GUIDELINES AND CONTROL SETTINGS				
24hr Energy Usage (kWh)	Suction Pressure @ Case Outlet (psig)	Superheat Set Point @ Bulb (°F)	Discharge Air (°F)	Discharge Air Velocity (FPM)
47.6	52-54	6 - 8	30.0	210

CONDENSING UNIT DATA							
Volts	Phase	Frequency	Horsepower	Running Load Amps (RLA) (Amps)	Locked Rotor Amps (LRA) (Amps)	Refrigerant	Lbs. of Refrigerant
208	1	60	1 1/4	9.2	54.0	R404A	5.5

DEFROST CONTROLS		
Defrosts Per Day	Timed-Off Defrost	
	Fail-Safe (Min)	Termination Temp (F)
6	30	47

NOTES

- "---" indicates that the feature is not an option for this case model and/or the data is not yet available.
- Listed discharge air velocity represents the average velocity immediately after defrost.
- Temperature and defrost settings listed below are recommended start-up settings. Final operational settings may need to be adjusted for the store conditions in which the case operates.



COMPONENT

ALL MEASUREMENTS ARE TAKEN PER ASHRAE-72-2005 SPECIFICATIONS. HILLPHOENIX REFRIGERATED DISPLAY CASES FOR SALE IN THE UNITED STATES MEET OR EXCEED DEPARTMENT OF ENERGY 2017 REQUIREMENTS.

OHMAK-NRG

Rev Date:	Rev #	Revision Description:
9-19-18	3	DATA UPDATE
8-7-18	2	NEW STANDARDS



OHMAK-NRG (Meal Kit) Case Configuration		
Case Model	OHMAK-NRG (Meal Kit) Base Model	OHMAK-NRG (Meal Kit) Configured Options
Length	6'	n/a
Case Use	Meal Kits	n/a
Base Frame	15"	n/a
Exterior Color	CC	Stainless
LH End Type	Solid	Square
RH End Type	Solid	Square
End Skins	Interior: SA, Exterior: CC	Painted/Painted Stainless/Stainless
End Trim Type/Color	Black PVC	Stainless
Front Type	Flat Front	Origin 2
Front Panel Type	Contour	Flat
ColorBand Panel Finish	CC	Stainless
Sill Cap Finish	Stainless	Painted
Cornice Type	Flat	Curved
Cornice Finish	Painted	Stainless
Tank Finish	Painted	Aluminum Stainless
Interior Color	CC	White Stainless
Baffle Finish	CC	White Stainless
Frame Finish	CC	White
Flue Panel Finish	CC	White Stainless
Deck Pan Type	Plastic	Metal
Deck Pan Finish/Color	Black	White Galvanized Painted Stainless
Mirror Size	9.75"	
Wire Rack Type	Telescopic	Fixed Front Lip Height
Wire Rack Finish	Black	White Stainless
Shelf Depth	18", 20", 22"	
PTM Type	AL	PVC
LED Type	Standard	High
LED Color	30k	35k 40k
Cornice Lighting Type	2 Row	1 Row
Refrigerant	R404a	
Piping	Top	
Defrost	Off Cycle	
Fans (HE, STD)	ECM	
Refrigeration Accessories	None	Optional: Solenoid, Thermostat
Thermometer	Std	
Probe	None	Optional: Electronic Sensor
Special Instructions	Shiploose Condensing Unit + Drain Pump + Pan	Optional: Fully Installed Condensing Unit + Pump + Pan

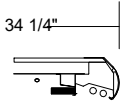
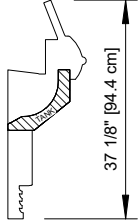
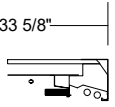
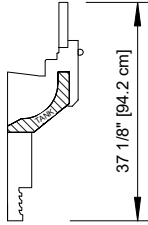


COMPONENT

ALL MEASUREMENTS ARE TAKEN PER ASHRAE-72-2005 SPECIFICATIONS. HILLPHOENIX REFRIGERATED DISPLAY CASES FOR SALE IN THE UNITED STATES MEET OR EXCEED DEPARTMENT OF ENERGY 2017 REQUIREMENTS.

OHMAK-NRG

Rev Date:	Rev #	Revision Description:
8-7-18	2	NEW STANDARDS
12-1-17	1	DOE 2017

CORNICE OPTIONS	FRONT OPTIONS
<p><u>CURVED CORNICE</u></p>  <p>34 1/4"</p>	<p><u>ORIGIN 2 FRONT WITH 6" THERMOPANE</u></p>  <p>37 1/8" [94.4 cm]</p>
<p><u>FLAT FRONT</u></p>  <p>33 5/8"</p>	<p><u>FLAT FRONT WITH 6" THERMOPANE</u></p>  <p>37 1/8" [94.2 cm]</p>



COMPONENT

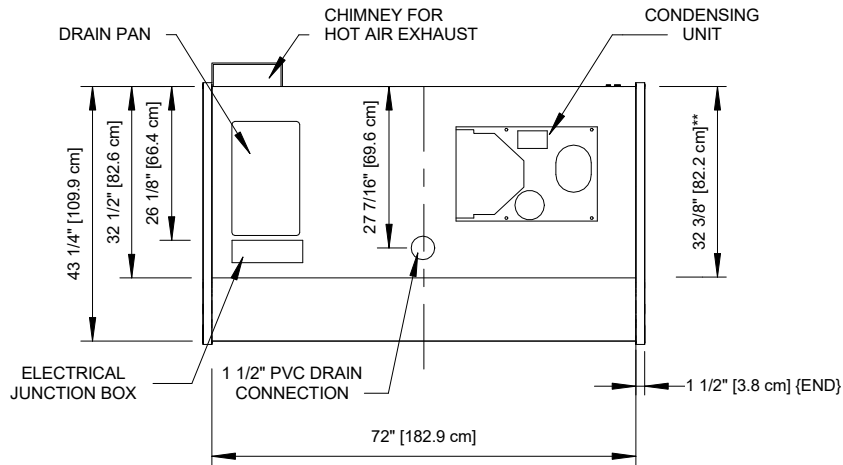
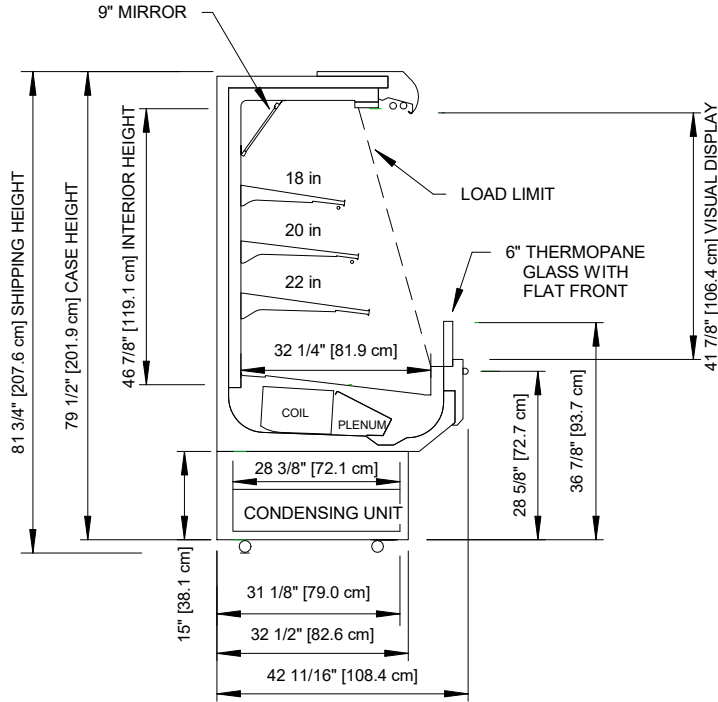
ALL MEASUREMENTS ARE TAKEN PER ASHRAE-72-2005 SPECIFICATIONS. HILLPHOENIX REFRIGERATED DISPLAY CASES FOR SALE IN THE UNITED STATES MEET OR EXCEED DEPARTMENT OF ENERGY 2017 REQUIREMENTS.

OHMAK-NRG

Rev Date:	Rev #	Revision Description:
9-19-18	3	DATA UPDATE
8-7-18	2	NEW STANDARDS

Hillphoenix

A DOVER COMPANY



COMPONENT

ALL MEASUREMENTS ARE TAKEN PER ASHRAE-72-2005 SPECIFICATIONS. HILLPHOENIX REFRIGERATED DISPLAY CASES FOR SALE IN THE UNITED STATES MEET OR EXCEED DEPARTMENT OF ENERGY 2017 REQUIREMENTS.

OHMAK-NRG

Rev Date:	Rev #	Revision Description:
9-19-18	3	DATA UPDATE
8-7-18	2	NEW STANDARDS

