

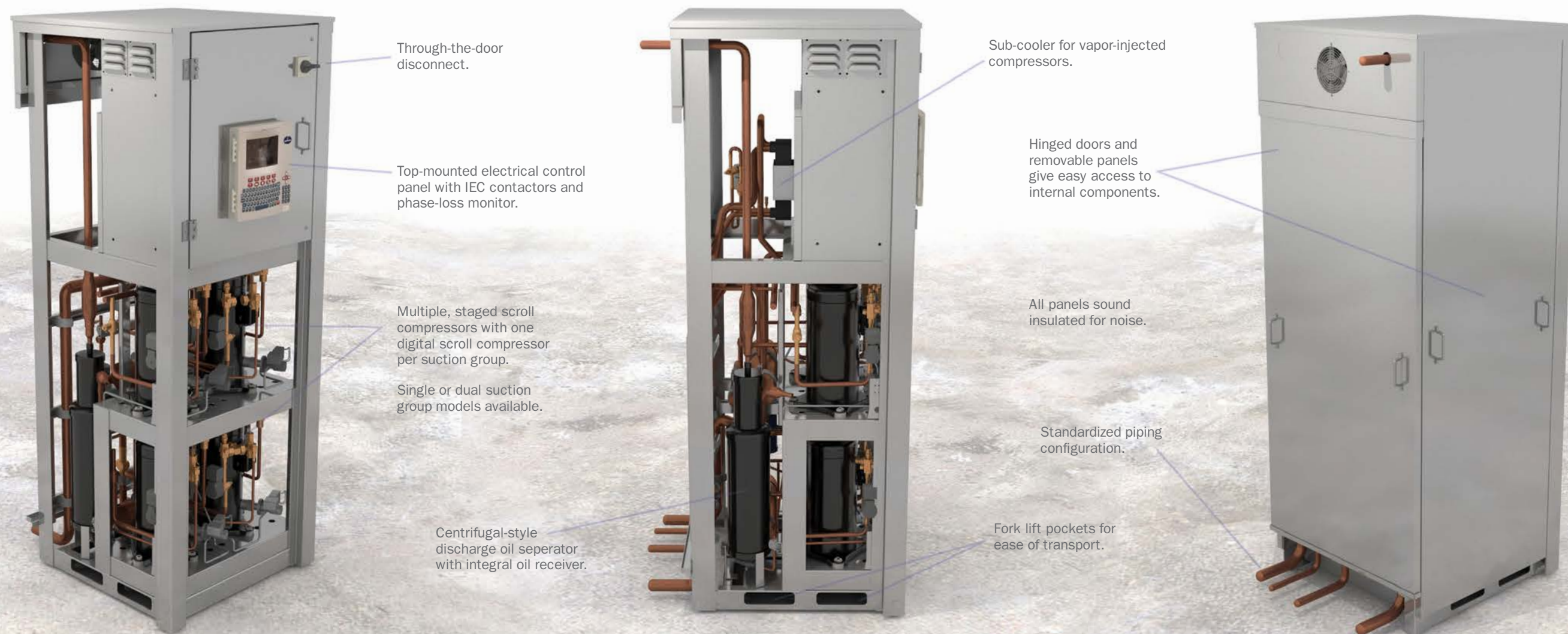
Big Benefits in a Small Package.

InviroPak Distributed Systems



Food retailers continue to search for ways to reduce costs and improve margins no matter what their size. Traditional supermarkets, mass merchandisers and warehouse membership retailers are reducing their footprints to trim bottom line costs to answer customer demand. The new vertical InviroPak™ provides customers a unique way to address these demands in a small footprint.

INVIRO
pak™



Easy-to-Install

InviroPak™ ships from the factory ready for installation in a new, aesthetically-pleasing cabinet. It can be located closer to the loads to reduce refrigerant and piping costs.

Designed with Maintenance in Mind

The compressor section of the InviroPak is isolated and can be easily accessed while the unit is operational. Hinged doors and removable panels provide quick access on the compressor and electrical sections, while smart design inside leaves plenty of room to easily service and/or maintain internal components.

InviroPak Uses Less Refrigerant, Period

From installation day and every day moving forward, refrigerant costs are less with InviroPak. First, because when used as a distributed system, the units can be located closer to each load, lowering the amount and the costs of the initial refrigerant charge. Second, the more efficient, compact design of InviroPak contains fewer brazed joints and consequently fewer locations for costly refrigerant leaks.

Small Footprint Yields Big Benefits

InviroPak packs maximum capacity in a small footprint and can be placed anywhere in the store. This frees up valuable interior floor space that can be put to better use for more product and more sales!

Base Model Features

- Galvanized steel cabinet.
- 208-230V main power.
- Energy-efficient scroll compressors.
- Single or dual suction group models available.
- Replaceable core filter/drier and sight glass.
- Suction filter per suction group.
- Through-the-door disconnect.
- IEC contactors.
- Phase-loss monitor with brownout protection.
- One low-pressure control per suction.
- One high-pressure control per compressor.
- Analog liquid level indicator/alarm.
- Discharge oil separator (centrifugal) with integral oil reservoir.
- OMB per compressor.
- Refrigerant options: R407A, R448A and R449A.

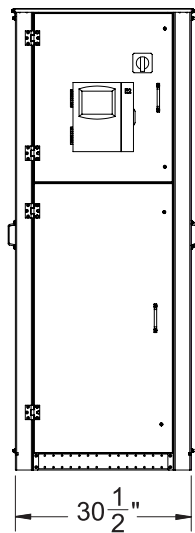
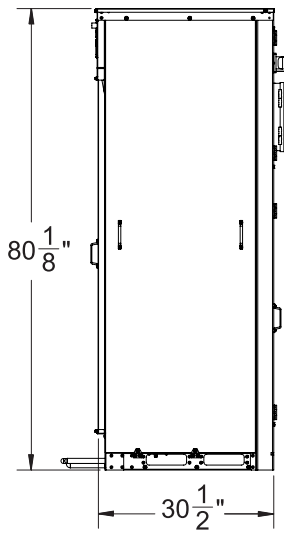
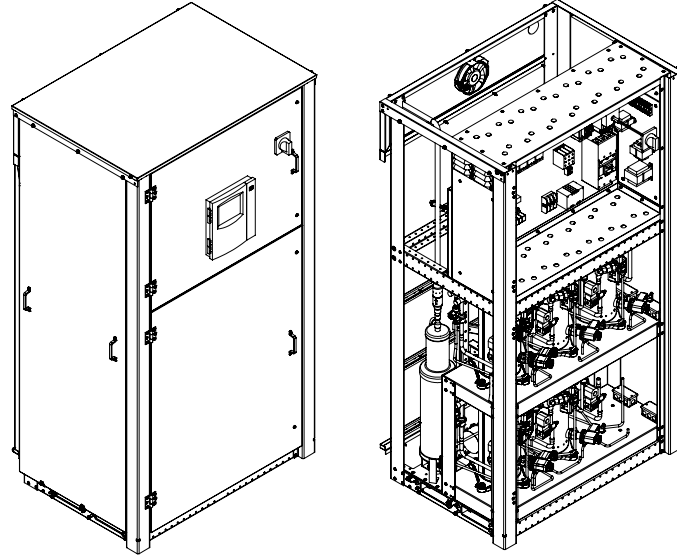
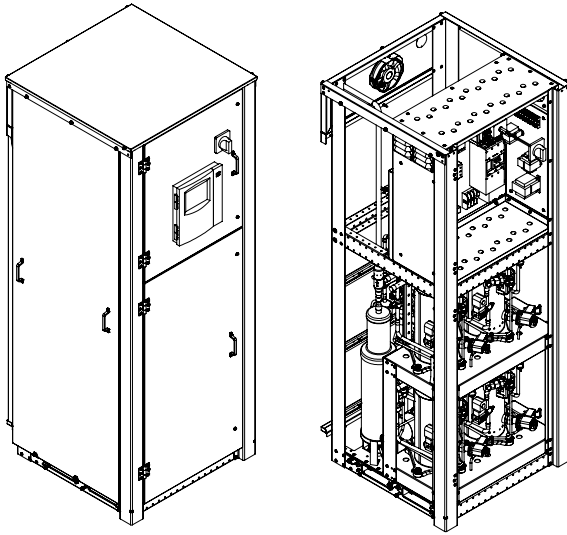
Available Options

- 460V main power.
- Electrofin coated coil.
- Crankcase heater.
- Heat reclaim valve package (remote only).
- Digital liquid level indicator/alarm.
- Low-pressure control per compressor.
- Split condenser valve.
- Hot gas defrost valve.
- Heat reclaim valve package.

INVIRO
pak™

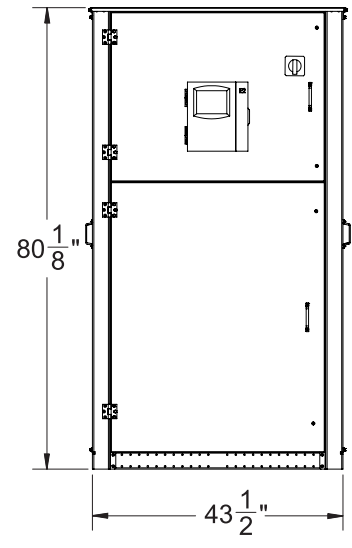
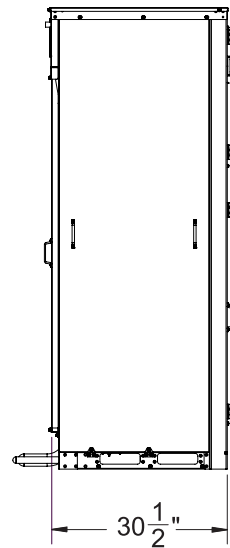
InviroPak — 4-compressor vertical cabinet

InviroPak — 6-compressor vertical cabinet



SIDE VIEW

FRONT VIEW



SIDE VIEW

FRONT VIEW

InviroPak Unit	Estimated Weight	Dimensions
4-compressor vertical cabinet	1,175 lbs	L 30 $\frac{1}{2}$ " x W 30 $\frac{1}{2}$ " x H 80 $\frac{1}{8}$ "
6-compressor vertical cabinet	1,650 lbs	L 43 $\frac{1}{2}$ " x W 30 $\frac{1}{2}$ " x H 80 $\frac{1}{8}$ "

Please consult Hillphoenix Engineering Reference Manual for dimensions, plan views and technical specifications. Specifications are subject to change without notice. Certified to UL 471 and ANSI/NSF standard 7.

Designed for optimal performance in store environments where temperatures and humidity do not exceed 75°F and 55%R.H.