

## GENERAL NOTES

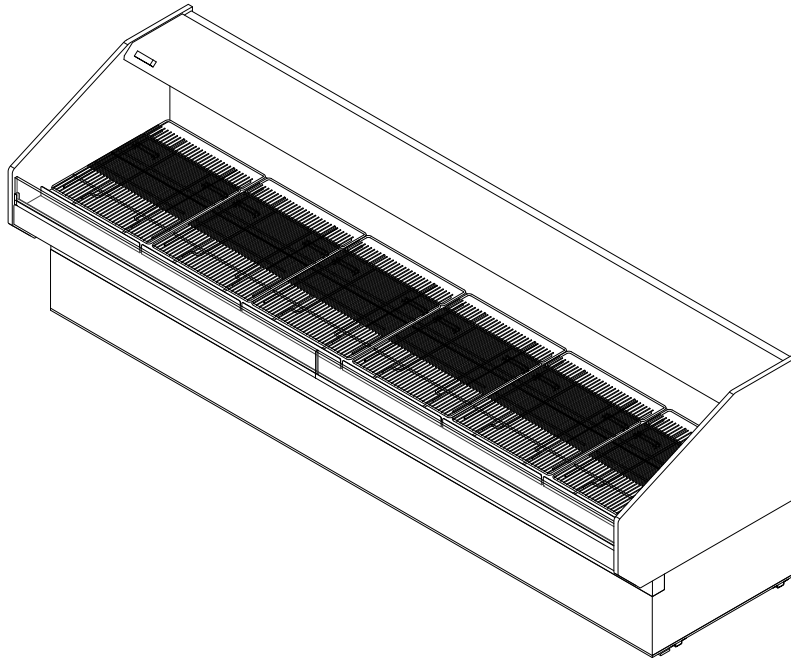
- "----" Indicates the feature is not an option on this case model and/or the data is not yet available at this time.

## Features and Benefits

- Closed base construction
- No casters with leveling pads.
- Standard 46-1/2"H and 42-5/8"D.
- Standard 17-3/4"H base with sled runners or sled runners/leveling pads.
- Painted metal exterior, including case top.
- Stainless steel exterior trim.
- Painted metal to match exterior front and side base.
- Clearvoyant LED 3000K top lighting.
- Outside back painted including rear base
- 5-1/2"H x 1/2" thick polished front dieboard plex.
- Black painted metal interior.
- Interior trim to match interior.
- Fixed flat bottom deck with adjustable-angled wire shelf.
- Interior trim to match interior.
- Front electrical raceway.
- Solar digital thermometer.
- Energy efficient fans.
- Remote DX refrigeration package.
- Synerg-E Package (energy-efficient components and design).

## Available Options

- Available lengths: 4', 6', 8', 10' and 12'.
- 39-1/2"H and 48"D.
- (1) row each 10" adjustable-angled painted metal shelf (limits adjustability with additional angled wire shelf option).
- Adjustable-angled wire shelf in lieu of 2 step riser.
- Painted metal base trim.
- Interior and exterior stainless steel finish.
- Oak slats over metal base.
- No top light.
- White or other painted metal interior finish.
- Clearvoyant LED 3000K undershelf lighting.
- Cart bumper.
- Solid interior painted, solid interior mirror polish stainless steel, thermal glass divider or glass ends.
- Self-contained refrigeration package.
- Remote glycol or CO2 refrigeration packages.



## SHIPPING WEIGHT

Case	Weight
HSC-R-K	---



ENGINEERED FOR STORES WITH AMBIENT CONDITIONS NOT TO EXCEED 75° AND 55% RELATIVE HUMIDITY. DUE TO ENGINEERING IMPROVEMENTS SPECIFICATIONS MAY CHANGE WITHOUT NOTICE. ALL MEASUREMENTS ARE TAKEN PER ASHRAE-72-2005 SPECIFICATIONS. HILLPHOENIX REFRIGERATED DISPLAY CASES FOR SALE IN THE UNITED STATES MEET OR EXCEED DEPARTMENT OF ENERGY 2017 REQUIREMENTS. NUMBERS ARE BASED ON STANDARD CASE SIZES. CONSULT ENGINEERING.

## HSC-R-K

Rev Date:	Rev #	Revision Description:
11-2018	1	NEW STANDARDS



ELECTRICAL DATA									
Case Length	Fans Per Case	High Efficiency Fans		Anti-Condensate Fans		Drain Heaters		Optional Defrost Heaters	
		120 Volts		120 Volts		120 Volts		208 Volts	
		Amps	Watts	Amps	Watts	Amps	Watts	Amps	Watts
4'	2	0.60	72.0	---	---	---	---	---	---
6'	3	0.90	108.0	---	---	---	---	---	---
8'	3	0.90	108.0	---	---	---	---	---	---
10'	4	1.20	144.0	---	---	---	---	---	---
12'	5	1.50	180.0	---	---	---	---	---	---

LIGHTING DATA						
Case Length	Lights Per Row	Light Length	Clearvoyant LED Lighting (Per Light Row)			
			Standard Power (Cornice or Shelf)		High Power (Cornice)	
			120 Volts		120 Volts	
			Amps	Watts	Amps	Watts
4'	1	4'	0.05	5.9	0.12	14.9
6'	2	3'	0.08	9.4	0.20	23.8
8'	2	4'	0.10	11.8	0.24	29.8
10'	2	5'	0.12	17.1	0.30	37.0
12'	3	4'	0.15	17.7	0.36	44.7

GUIDELINES AND CONTROL SETTINGS (DX)					
Conventional BTUH/ft	Parallel BTUH/ft	Superheat Set Point @ Bulb (°F)	Evaporator (°F)	Discharge Air (°F)	Discharge Air Velocity (fpm)
708	634	6-8	24	33	220

DEFROST CONTROLS							
Defrosts per Day	Run-Off Time (Min)	Electric Defrost		Timed-Off Defrost		Hot Gas Defrost	
		Fail-Safe (Min)	Termination Temp (°F)	Fail-Safe (Min)	Termination Temp (°F)	Fail-Safe (Min)	Termination Temp (°F)
6	---	---	---	45/24	47	---	---

## NOTES

- "---" Indicates the feature is not an option on this case model and/or the data is not yet available at this time.
- Average discharge air velocity at peak of defrost.
- Time-off duration for defrost with no termination control.



ENGINEERED FOR STORES WITH AMBIENT CONDITIONS NOT TO EXCEED 75° AND 55% RELATIVE HUMIDITY. DUE TO ENGINEERING IMPROVEMENTS SPECIFICATIONS MAY CHANGE WITHOUT NOTICE. ALL MEASUREMENTS ARE TAKEN PER ASHRAE-72-2005 SPECIFICATIONS. HILLPHOENIX REFRIGERATED DISPLAY CASES FOR SALE IN THE UNITED STATES MEET OR EXCEED DEPARTMENT OF ENERGY 2017 REQUIREMENTS. NUMBERS ARE BASED ON STANDARD CASE SIZES. CONSULT ENGINEERING.

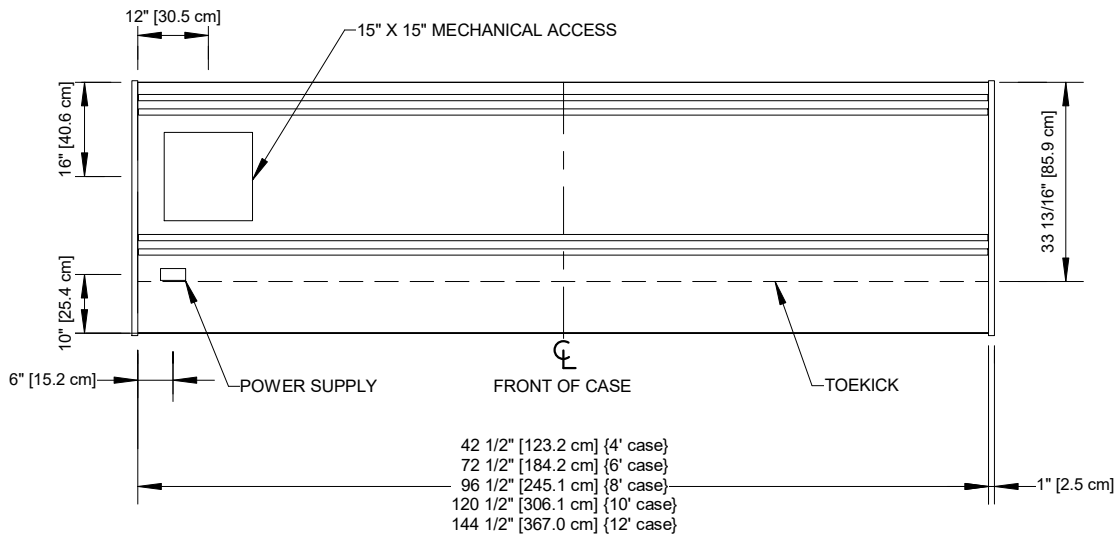
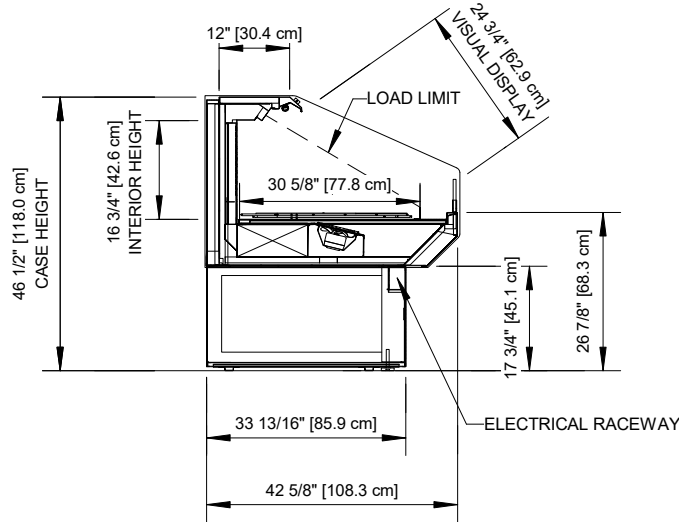
## HSC-R-K

Rev Date:	Rev #	Revision Description:
11-2018	1	NEW STANDARDS



# HSC-R-K

## Self-Service Open Single-Deck Enclosed Base Merchandiser 4', 6', 8', 10' & 12' (Meal Kit)



ENGINEERED FOR STORES WITH AMBIENT CONDITIONS NOT TO EXCEED 75° AND 55% RELATIVE HUMIDITY. DUE TO ENGINEERING IMPROVEMENTS SPECIFICATIONS MAY CHANGE WITHOUT NOTICE. ALL MEASUREMENTS ARE TAKEN PER ASHRAE-72-2005 SPECIFICATIONS. HILLPHOENIX REFRIGERATED DISPLAY CASES FOR SALE IN THE UNITED STATES MEET OR EXCEED DEPARTMENT OF ENERGY 2017 REQUIREMENTS. NUMBERS ARE BASED ON STANDARD CASE SIZES. CONSULT ENGINEERING.

### HSC-R-K

Rev Date:	Rev #	Revision Description:
11-2018	1	NEW STANDARDS



A DOVER COMPANY