

HSC-S-K

Self-Service Open Single-Deck Enclosed Base Mobile Merchandiser 2', 3' & 4' (Meal Kit)

GENERAL NOTES

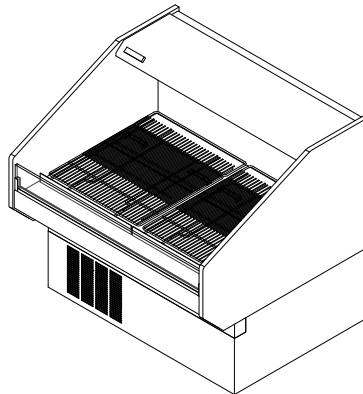
- "---" Indicates the feature is not an option on this case model and/or the data is not yet available at this time.

Features and Benefits

- Closed base construction.
- Recessed casters with front leveling pads on 4' case widths.
- Flush-mount casters on case widths less than 4'.
- Standard 46-1/2"H and 42-5/8"D.
- Standard 17-3/4"H base with casters or leveling pads.
- Painted metal exterior, including case top.
- Stainless steel exterior trim.
- Painted metal to match exterior front and side base.
- Outside back painted including rear base.
- 2" full height rear chimney extension for airflow management, with moire pattern discharge. The removable outside back of chimney and top enclosure are painted to match exterior.
- 5-1/2"H x 1/2" thick polished front dieboard plex.
- Black painted metal interior.
- Interior trim to match interior.
- Interior trim painted to match interior color.
- Clearvoyant LED 3000K top light .
- Fixed flat bottom deck with adjustable-angled wire shelf.
- Front electrical raceway.
- Solar digital thermometer.
- Energy efficient fans.
- Airflow: front to rear.
- Intake includes intake filter kit.
- Electric condensate dissipator pan.
- Automatic defrost.
- Internally equalized expansion valve.
- Synerg-E Package (energy-efficient components and design).

Available Options

- Available lengths: 2', 3' and 4'.
- 39-1/2"H and 48"D
- (1) row each 10" adjustable-angled painted metal shelf (limits adjustability with additional angled wire shelf option).
- Adjustable-angled wire shelf in lieu of 2 step riser.
- Painted metal base trim.
- Interior and exterior stainless steel finish.
- Oak slats over metal base.
- No top light.
- White or other painted metal interior finish.
- Clearvoyant LED 3000K undershelf lighting.
- Cart bumper.
- Solid interior painted, solid interior mirror polish stainless steel, thermal glass divider or glass ends.



SHIPPING WEIGHT	
Case	Weight
HSC-S-K	---



ENGINEERED FOR STORES WITH AMBIENT CONDITIONS NOT TO EXCEED 75° AND 55% RELATIVE HUMIDITY. DUE TO ENGINEERING IMPROVEMENTS SPECIFICATIONS MAY CHANGE WITHOUT NOTICE. ALL MEASUREMENTS ARE TAKEN PER ASHRAE-72-2005 SPECIFICATIONS. HILLPHOENIX REFRIGERATED DISPLAY CASES FOR SALE IN THE UNITED STATES MEET OR EXCEED DEPARTMENT OF ENERGY 2017 REQUIREMENTS. NUMBERS ARE BASED ON STANDARD CASE SIZES. CONSULT ENGINEERING.

HSC-S-K

Rev Date:	Rev #	Revision Description:
11-2018	1	NEW STANDARDS



HSC-S-K

Self-Service Open Single-Deck Enclosed Base Mobile Merchandiser
2', 3' & 4' (Meal Kit)

SYSTEM REQUIREMENTS					
Case Length	Volts	Phase	Total Amps	Minimum Circuit Ampacity	Maximum Overcurrent Protection
2'	120	1	12.47	15.6	28
3'	120	1	12.47	15.6	28
4'	120	1	12.69	15.9	29

ELECTRICAL DATA											
Case Length	Fans Per Case	High Efficiency Fans		Anti-Condensate Fans		Drain Pumps		Evaporator Pan Heaters		Auxiliary Fans	
		120 Volts		120 Volts		120 Volts		120 Volts		120 Volts	
		Amps	Watts	Amps	Watts	Amps	Watts	Amps	Watts	Amps	Watts
2'	1	0.30	36.0	---	---	---	---	5.00	600.0	---	---
3'	1	0.30	36.0	---	---	---	---	5.00	600.0	---	---
4'	2	0.60	72.0	---	---	---	---	5.00	600.0	---	---

LIGHTING DATA						
Case Length	Lights Per Row	Light Length	Clearvoyant 4 LED Lighting (Per Light Row)			
			Standard Power (Cornice or Shelf)		High Power (Cornice)	
			120 Volts		120 Volts	
			Amps	Watts	Amps	Watts
2'	1	2'	0.03	3.1	0.06	7.8
3'	1	3'	0.04	4.7	0.10	11.9
4'	1	4'	0.05	5.9	0.12	14.9

GUIDELINES AND CONTROL SETTINGS				
24hr Energy Usage (kWh/ft)	Suction Temperature @ Case Outlet (°F)	Superheat Set Point @ Bulb (°F)	Discharge Air (°F)	Discharge Air Velocity (fpm)
---	+20	10-12	24-27	180

NOTES

- "----" Indicates that the feature is not an option for this case model and/or the data is not yet available.
- Average discharge air velocity at peak of defrost.
- RLA - Running Load Amps
- LRA - Locked Rotor Amps



ENGINEERED FOR STORES WITH AMBIENT CONDITIONS NOT TO EXCEED 75° AND 55% RELATIVE HUMIDITY. DUE TO ENGINEERING IMPROVEMENTS SPECIFICATIONS MAY CHANGE WITHOUT NOTICE. ALL MEASUREMENTS ARE TAKEN PER ASHRAE-72-2005 SPECIFICATIONS. HILLPHOENIX REFRIGERATED DISPLAY CASES FOR SALE IN THE UNITED STATES MEET OR EXCEED DEPARTMENT OF ENERGY 2017 REQUIREMENTS. NUMBERS ARE BASED ON STANDARD CASE SIZES. CONSULT ENGINEERING.

HSC-S-K

Rev Date:	Rev #	Revision Description:
11-2018	1	NEW STANDARDS



HSC-S-K

Self-Service Open Single-Deck Enclosed Base Mobile Merchandiser
2', 3' & 4' (Meal Kit)

CONDENSING UNIT DATA									
Case Length	Volts	Phase	HP	RLA (Amps)	LRA (Amps)	Refrig.	Condenser Fans		Lbs. of Refriger.
							Amps	Watts	
2'	115	1	1/2	5.60	42.00	404a	0.53	61	2.8
3'	115	1	1/3	7.20	39.00	404a	0.53	61	2.8
4'	115	1	1/3	7.20	39.00	404a	0.53	61	2.8

DEFROST CONTROLS		
Defrosts per Day	Timed Off Defrost	
	Fail Safe (Min)	Termination Temp (°F)
6	60	38

NOTES

- "---" Indicates that the feature is not an option for this case model and/or the data is not yet available.
- Average discharge air velocity at peak of defrost.
- RLA - Running Load Amps
- LRA - Locked Rotor Amps



ENGINEERED FOR STORES WITH AMBIENT CONDITIONS NOT TO EXCEED 75° AND 55% RELATIVE HUMIDITY. DUE TO ENGINEERING IMPROVEMENTS SPECIFICATIONS MAY CHANGE WITHOUT NOTICE. ALL MEASUREMENTS ARE TAKEN PER ASHRAE-72-2005 SPECIFICATIONS. HILLPHOENIX REFRIGERATED DISPLAY CASES FOR SALE IN THE UNITED STATES MEET OR EXCEED DEPARTMENT OF ENERGY 2017 REQUIREMENTS. NUMBERS ARE BASED ON STANDARD CASE SIZES. CONSULT ENGINEERING.

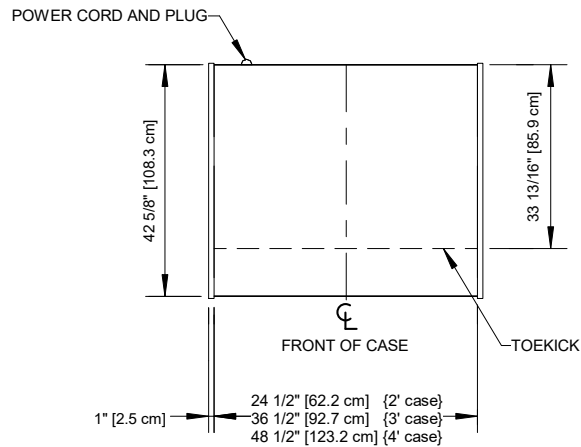
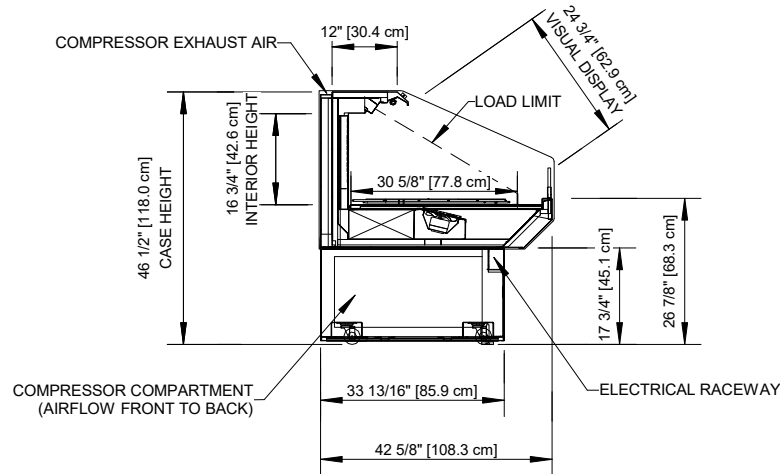
HSC-S-K

Rev Date:	Rev #	Revision Description:
11-2018	1	NEW STANDARDS



HSC-S-K

Self-Service Open Single-Deck Enclosed Base Mobile Merchandiser 2', 3' & 4' (Meal Kit)



ENGINEERED FOR STORES WITH AMBIENT CONDITIONS NOT TO EXCEED 75° AND 55% RELATIVE HUMIDITY. DUE TO ENGINEERING IMPROVEMENTS SPECIFICATIONS MAY CHANGE WITHOUT NOTICE. ALL MEASUREMENTS ARE TAKEN PER ASHRAE-72-2005 SPECIFICATIONS. HILLPHOENIX REFRIGERATED DISPLAY CASES FOR SALE IN THE UNITED STATES MEET OR EXCEED DEPARTMENT OF ENERGY 2017 REQUIREMENTS. NUMBERS ARE BASED ON STANDARD CASE SIZES. CONSULT ENGINEERING.

HSC-S-K

Rev Date:	Rev #	Revision Description:
11-2018	1	NEW STANDARDS

