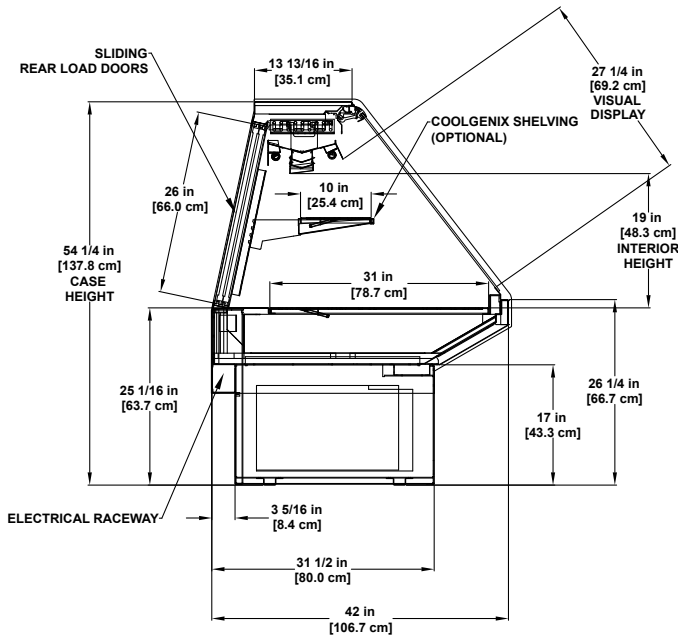


# Service Multi-Deck

Coolgenix® refrigerated merchandiser for meat and seafood with lift-up curved, flat or vertical glass.



Photo may depict options not included on standard models.



Please consult Hillphoenix Engineering Reference Manual for dimensions, plan views and technical specifications. Specifications subject to change without notice. Designed for optional performance in store environments where temperature and humidity do not exceed 75°F and 55% R.H. Certified to UL 471 and ANSI/NSF Standard 7.

## Base Model Features

- Sled runner base construction.
- Standard 54-1/4"H and 42"D.
- 17"H painted metal base to match exterior.
- 60° front die board.
- Painted metal exterior.
- Stainless steel exterior trim.
- Stainless steel outside back including rear base trim.
- 13-13/16"D stainless steel top.
- Reflective, sliding, rear load doors w/gray frames.
- Single-pane, regular-glare curved lift front glass.
- Gravity coil.
- Stainless steel interior and trim.
- Stainless steel flat bottom merchandising deck.
- Black Coolgenix® deck pans with standard length hoses with quick disconnect fittings and vertical pan supports.
- Clearvoyant® LED top light.
- Rear electrical raceway.
- Solar digital thermometer.
- Remote glycol refrigeration package.

## Available Options

- Available lengths: 6', 8', 10', and 12'.
- Alternate toekick height 15-15/16"H with the overall case height of 54-1/8"H (only available in remote).
- Flat front profile.
- Recessed front toe kick.
- Color accent band.
- Stainless Steel base trim.
- Cart bumper (1" or 2").
- Exterior finishes: stainless steel or laminate.
- Painted outside back.
- Solid surface or stone case top.
- Clear Glass rear load sliding doors.
- Black rear load door frames.
- Single pane, non-glare curved lift front glass
- Single pane, regular or non-glare Flat lift front glass or vertical glass.
- Glass masking in solid or dot matrix: black or gray.
- Adjustable, integrated case top (type: poly, SS, solid surface, or stone) or removable poly scale stands.
- Scale stand with dedicated circuit for ISO receptacle with optional pull wire(s).
- Prep to accommodate future interior display shelving.
- 10" black painted Coolgenix pan with stainless steel shelving with PTM, standard length hose & quick disconnects.
- Undershelf lighting.
- White or silver deck pan colors.
- Product stops for shelves.
- Longer hoses for Coolgenix deck pans.
- Decorative ice trough for front of base deck.
- Deck product stop available in plex and SS.
- Rear (flip-up or fixed) work boards (type: poly or SS).
- Paper cutters (serrated or non-serrated).
- ISO outlet/ CON outlets or CAT5.
- Alternative case thermometer.
- Refrigeration options: Semi self-contained.
- Solid interior mirror-polish stainless steel, thermal glass divider or glass ends.



Dover Food Retail  
Conyers, GA USA  
844.591.5937  
hillphoenix.com

**Hillphoenix**

©2019 Hillphoenix, Inc.