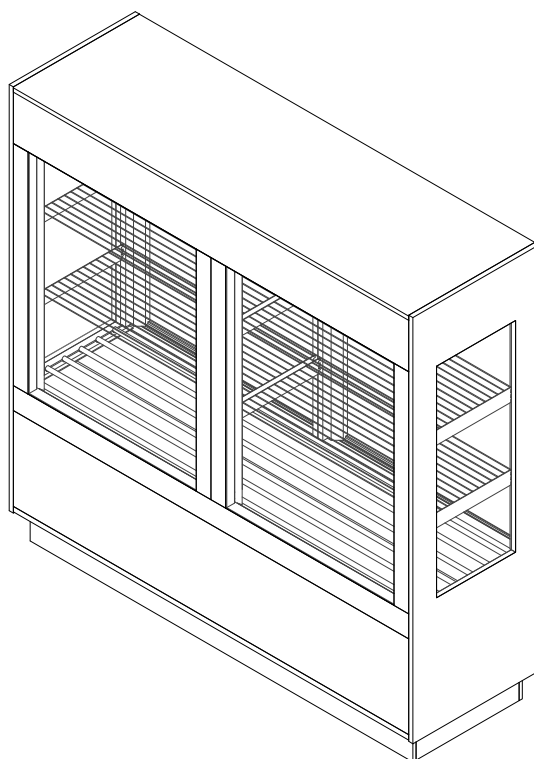


GENERAL NOTES

- "---" Indicates that the feature is not an option on this case model and/or the data is not yet available at this time.
- RRS - Refrigerated Rear Storage. (optional)



SHIPPING WEIGHT	
Case	Weight
AGB-RG	---



ENGINEERED FOR STORES WITH AMBIENT CONDITIONS NOT TO EXCEED 75° AND 55% RELATIVE HUMIDITY. DUE TO ENGINEERING IMPROVEMENTS SPECIFICATIONS MAY CHANGE WITHOUT NOTICE. ALL MEASUREMENTS ARE TAKEN PER ASHRAE-72-2005 SPECIFICATIONS. HILLPHOENIX REFRIGERATED DISPLAY CASES FOR SALE IN THE UNITED STATES MEET OR EXCEED DEPARTMENT OF ENERGY 2017 REQUIREMENTS. NUMBERS ARE BASED ON STANDARD CASE SIZES. CONSULT ENGINEERING.

AGB-RG

Rev. Date	Rev. #	Rev. Title
06-27-19	1	NEW STANDARDS



ELECTRICAL DATA											
Case Length	Fans Per Case	High Efficiency Fans		Anti-Condensate Fans		Drain Heaters		Optional Defrost Heaters		Humidification	
		120 Volts		120 Volts		120 Volts		208 Volts		120 Volts	
		Amps	Watts	Amps	Watts	Amps	Watts	Amps	Watts	Amps	Watts
4'	---	---	---	---	---	---	---	---	---	---	---
6'	---	---	---	---	---	---	---	---	---	---	---
8'	---	---	---	---	---	---	---	---	---	---	---

LIGHTING DATA						
Case Length	Lights Per Row	Light Length	Clearvoyant 4 LED Lighting (Per Light Row)			
			Standard Power (Cornice or Shelf)		High Power (Cornice)	
			120 Volts		120 Volts	
			Amps	Watts	Amps	Watts
4'	2	3'	0.08	9.4	0.20	23.8
6'	2	3'	0.08	9.4	0.20	23.8
8'	3	3'	0.12	14.1	0.30	35.7

GUIDELINES AND CONTROL SETTINGS (DX)						
	BTUH/ft		Superheat Set Point @ Bulb (°F)	Evaporator (°F)	Discharge Air (°F)	Discharge Air Velocity (FPM)
	Conventional	Parallel				
Gravity Coil	452	355	12	15	28	---
Serpentine	63	50	8 - 10	33	---	---
RRS	255	200	8 - 10	---	28	---

NOTES

- "----" Indicates that the feature is not an option on this case model and/or the data is not yet available at this time.
- Optional humidification system available to boost humidity. Humidity levels are determined by store aged beef programs.
- RRS - Refrigerated Rear Storage.
- Listed BTUH indicates unlighted shelves. Add the following for lighted shelves:
4' Shelf LED: 36 BTUH
4' Canopy LED: 72 BTUH
3' Shelf LED: 27 BTUH
3' Hi-Output LED: 54 BTUH
- EPR valve for the Serpentine is factory installed.
- Listed discharge air velocity represents the average velocity at the peak of defrost.



ENGINEERED FOR STORES WITH AMBIENT CONDITIONS NOT TO EXCEED 75° AND 55% RELATIVE HUMIDITY. DUE TO ENGINEERING IMPROVEMENTS SPECIFICATIONS MAY CHANGE WITHOUT NOTICE. ALL MEASUREMENTS ARE TAKEN PER ASHRAE-72-2005 SPECIFICATIONS. HILLPHOENIX REFRIGERATED DISPLAY CASES FOR SALE IN THE UNITED STATES MEET OR EXCEED DEPARTMENT OF ENERGY 2017 REQUIREMENTS. NUMBERS ARE BASED ON STANDARD CASE SIZES. CONSULT ENGINEERING.

AGB-RG

Rev. Date	Rev. #	Rev. Title
06-27-19	1	NEW STANDARDS



GUIDELINES AND CONTROL SETTINGS (GLYCOL)							
	BTUH/ft		Supply Temp (°F)	Flow Rate (GPM/ft)	Charge (GAL/ft)	Cut-In Temp (°F)	Cut-Out Temp (°F)
	Conventional	Parallel					
Gravity Coil	452	355	20	0.8	0.5	---	---
Serpentine	63	50	20	0.1	0.5	---	---
RRS	255	200	20	0.1	0.5	28	26

DEFROST CONTROLS								
	Defrosts Per Day	Run-Off Time (Min)	Electric Defrost		Timed-Off Defrost		Hot Gas Defrost	
			Fail-Safe (Min)	Termination Temp (°F)	Fail-Safe (Min)	Termination Temp (°F)	Fail-Safe (Min)	Termination Temp (°F)
Gravity Coil	4	---	---	---	90	47	---	---
Serpentine	---	---	---	---	---	---	---	---
RRS	6	---	---	---	20	47	---	---

NOTES

- "---" Indicates that the feature is not an option on this case model and/or the data is not yet available at this time.
- RRS - Refrigerated Rear Storage.
- Listed defrost for the Serpentine is tied to the gravity coil.
- DX units equipped with RH systems require 2 defrosts per day with a fail-safe of 120 minutes.
- Glycol units equipped with RH systems require 3 defrosts per day with a fail-safe of 120 minutes.

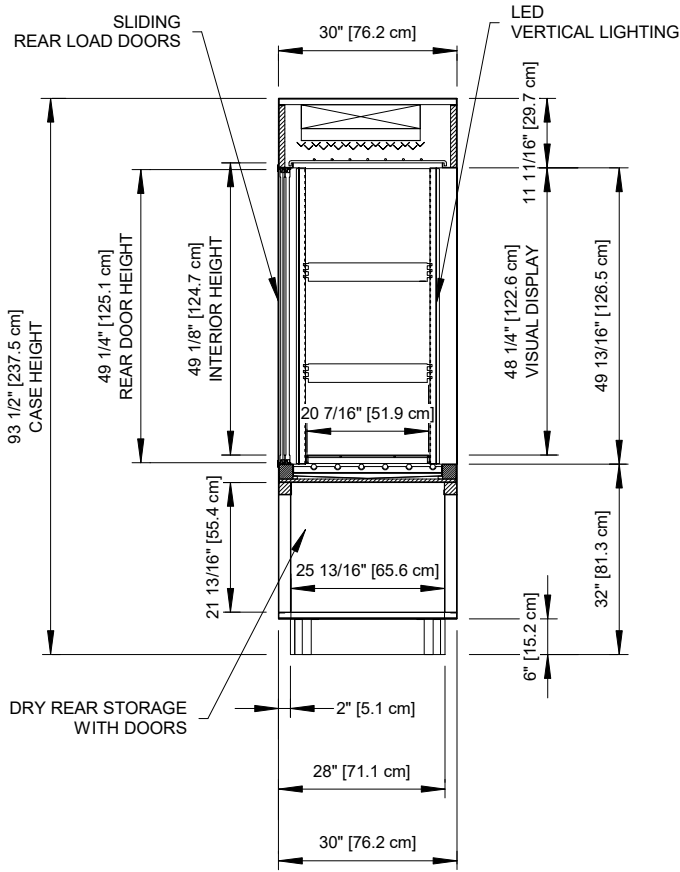


ENGINEERED FOR STORES WITH AMBIENT CONDITIONS NOT TO EXCEED 75° AND 55% RELATIVE HUMIDITY. DUE TO ENGINEERING IMPROVEMENTS SPECIFICATIONS MAY CHANGE WITHOUT NOTICE. ALL MEASUREMENTS ARE TAKEN PER ASHRAE-72-2005 SPECIFICATIONS. HILLPHOENIX REFRIGERATED DISPLAY CASES FOR SALE IN THE UNITED STATES MEET OR EXCEED DEPARTMENT OF ENERGY 2017 REQUIREMENTS. NUMBERS ARE BASED ON STANDARD CASE SIZES. CONSULT ENGINEERING.

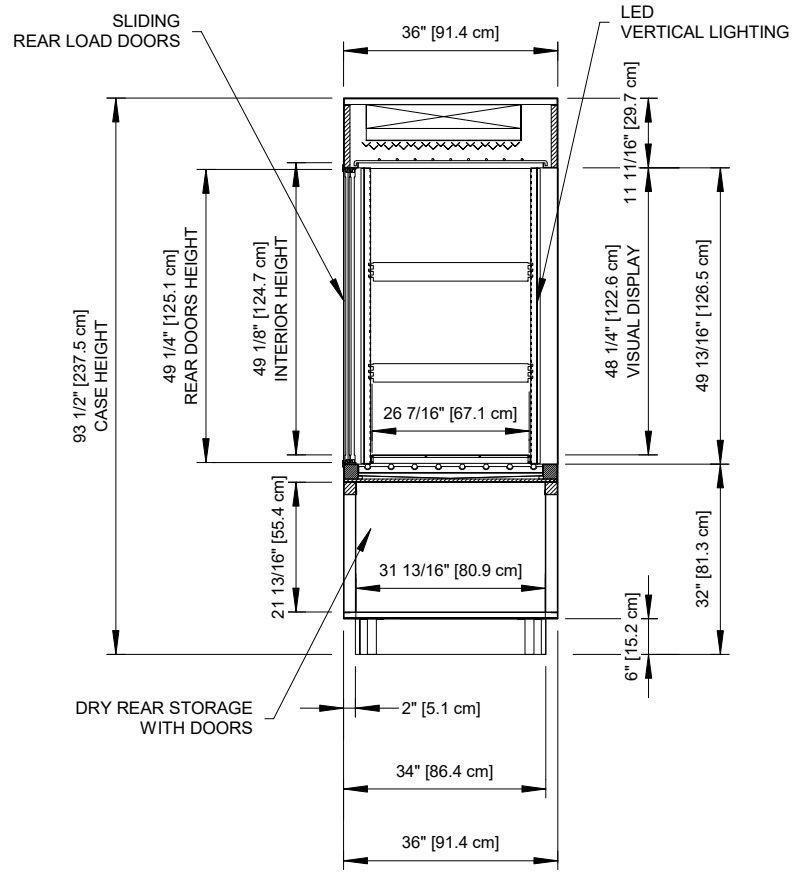
AGB-RG

Rev. Date	Rev. #	Rev. Title
06-27-19	1	NEW STANDARDS

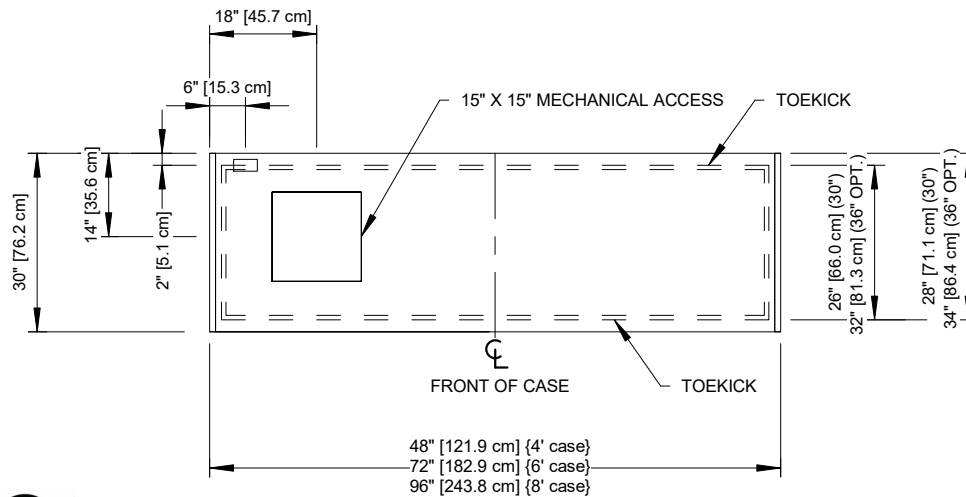




30" PROFILE



36" PROFILE (OPTIONAL)



ENGINEERED FOR STORES WITH AMBIENT CONDITIONS NOT TO EXCEED 75° AND 55% RELATIVE HUMIDITY. DUE TO ENGINEERING IMPROVEMENTS SPECIFICATIONS MAY CHANGE WITHOUT NOTICE. ALL MEASUREMENTS ARE TAKEN PER ASHRAE-72-2005 SPECIFICATIONS. HILLPHOENIX REFRIGERATED DISPLAY CASES FOR SALE IN THE UNITED STATES MEET OR EXCEED DEPARTMENT OF ENERGY 2017 REQUIREMENTS. NUMBERS ARE BASED ON STANDARD CASE SIZES. CONSULT ENGINEERING.

AGB-RG

Rev. Date	Rev. #	Rev. Title
06-27-19	1	NEW STANDARDS



A DOWER COMPANY