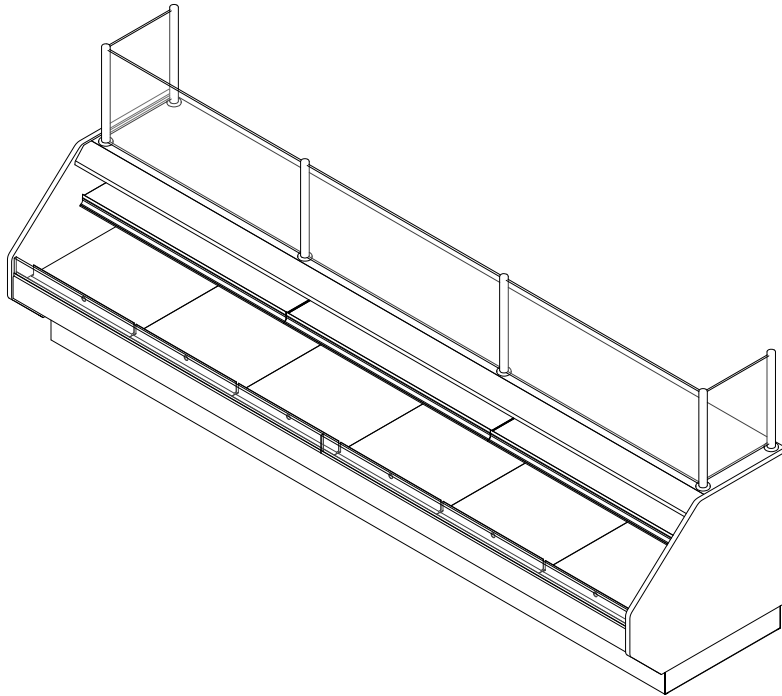


**GENERAL NOTES:**

- "---" Indicates that the feature is not an option on this case model and/or the data is not yet available at this time.
- DRS/RRS - Dry Rear Storage/Refrigerated Rear Storage. (optional)



SHIPPING WEIGHT	
Case	Weight
BLF-CR	---



ENGINEERED FOR STORES WITH AMBIENT CONDITIONS NOT TO EXCEED 75° AND 55% RELATIVE HUMIDITY. DUE TO ENGINEERING IMPROVEMENTS SPECIFICATIONS MAY CHANGE WITHOUT NOTICE. ALL MEASUREMENTS ARE TAKEN PER ASHRAE-72-2005 SPECIFICATIONS. HILLPHOENIX REFRIGERATED DISPLAY CASES FOR SALE IN THE UNITED STATES MEET OR EXCEED DEPARTMENT OF ENERGY 2017 REQUIREMENTS. NUMBERS ARE BASED ON STANDARD CASE SIZES. CONSULT ENGINEERING.

**BLF-CR**

Rev. Date	Rev. #	Rev. Title
10-02-20	3	ENDVIEW UPDATE
09-19-19	2	ENDVIEW UPDATE



A DOVER COMPANY

## ELECTRICAL DATA

Case Length	Fans Per Case	High Efficiency Fans		Anti-Condensate Heaters		Drain Heaters		Optional Defrost Heaters		RRS Fans		
		120 Volts		120 Volts		120 Volts		208 Volts		120 Volts		
		Amps	Watts	Amps	Watts	Amps	Watts	Amps	Watts	Units	Amps	Watts
48"	1	0.30	36.0	---	---	---	---	---	---	(1) MAC 8	0.80	96.0
59"	1	0.30	36.0	---	---	---	---	---	---	(1) MAC 8	0.80	96.0
77"	2	0.60	72.0	---	---	---	---	---	---	(1) MAC 12	0.80	96.0
96"	3	0.90	108.0	---	---	---	---	---	---	(2) MAC 8	1.60	192.0
120"	4	1.20	144.0	---	---	---	---	---	---	(2) MAC 8	1.60	192.0
144"	4	1.20	144.0	---	---	---	---	---	---	(3) MAC 8 or (2) MAC 12	1.60	192.0

## LIGHTING DATA

Case Length	Lights Per Row	Light Length	Clearvoyant 4 LED Lighting (Per Light Row)			
			Standard Power (Cornice or Shelf)		High Power (Cornice)	
			120 Volts		120 Volts	
			Amps	Watts	Amps	Watts
48"	1	4'	0.05	5.9	0.12	14.9
59"	1	4'	0.05	5.9	0.12	14.9
77"	2	3'	0.08	9.4	0.20	23.8
96"	2	4'	0.10	11.8	0.24	29.8
120"	2	5'	0.12	15.0	0.30	37.0
144"	3	4'	0.15	17.7	0.36	44.7

## GUIDELINES AND CONTROL SETTINGS (DX)

	BTUH/ft		Superheat Set Point @ Bulb (°F)	Evaporator (°F)	Discharge Air (°F)	Discharge Air Velocity (FPM)
	Conventional	Parallel				
DX	872	800	10	24	28	200
RRS	218	200	10	24	28	200

### NOTES:

- "----" Indicates that the feature is not an option on this case model and/or the data is not yet available at this time.
- RRS - Refrigerated Rear Storage
- Listed BTUH indicates unlighted shelves. Add the following for lighted shelves:
  - 4' Shelf LED: 36 BTUH
  - 4' Canopy LED: 72 BTUH
  - 3' Shelf LED: 27 BTUH
  - 3' Hi-Output LED: 54 BTUH
- Listed discharge air velocity represents the average velocity at the peak of defrost.



ENGINEERED FOR STORES WITH AMBIENT CONDITIONS NOT TO EXCEED 75° AND 55% RELATIVE HUMIDITY. DUE TO ENGINEERING IMPROVEMENTS SPECIFICATIONS MAY CHANGE WITHOUT NOTICE. ALL MEASUREMENTS ARE TAKEN PER ASHRAE-72-2005 SPECIFICATIONS. HILLPHOENIX REFRIGERATED DISPLAY CASES FOR SALE IN THE UNITED STATES MEET OR EXCEED DEPARTMENT OF ENERGY 2017 REQUIREMENTS. NUMBERS ARE BASED ON STANDARD CASE SIZES. CONSULT ENGINEERING.

## BLF-CR

Rev. Date	Rev. #	Rev. Title
10-02-20	3	ENDVIEW UPDATE
09-19-19	2	ENDVIEW UPDATE



A DOVER COMPANY

DEFROST CONTROLS							
Defrosts Per Day	Run-Off Time (Min)	Electric Defrost		Timed-Off Defrost		Hot Gas Defrost	
		Fail-Safe (Min)	Termination Temp (°F)	Fail-Safe (Min)	Termination Temp (°F)	Fail-Safe (Min)	Termination Temp (°F)
6	---	---	---	20	---	---	---



ENGINEERED FOR STORES WITH AMBIENT CONDITIONS NOT TO EXCEED 75° AND 55% RELATIVE HUMIDITY. DUE TO ENGINEERING IMPROVEMENTS SPECIFICATIONS MAY CHANGE WITHOUT NOTICE. ALL MEASUREMENTS ARE TAKEN PER ASHRAE-72-2005 SPECIFICATIONS. HILLPHOENIX REFRIGERATED DISPLAY CASES FOR SALE IN THE UNITED STATES MEET OR EXCEED DEPARTMENT OF ENERGY 2017 REQUIREMENTS. NUMBERS ARE BASED ON STANDARD CASE SIZES. CONSULT ENGINEERING.

## BLF-CR

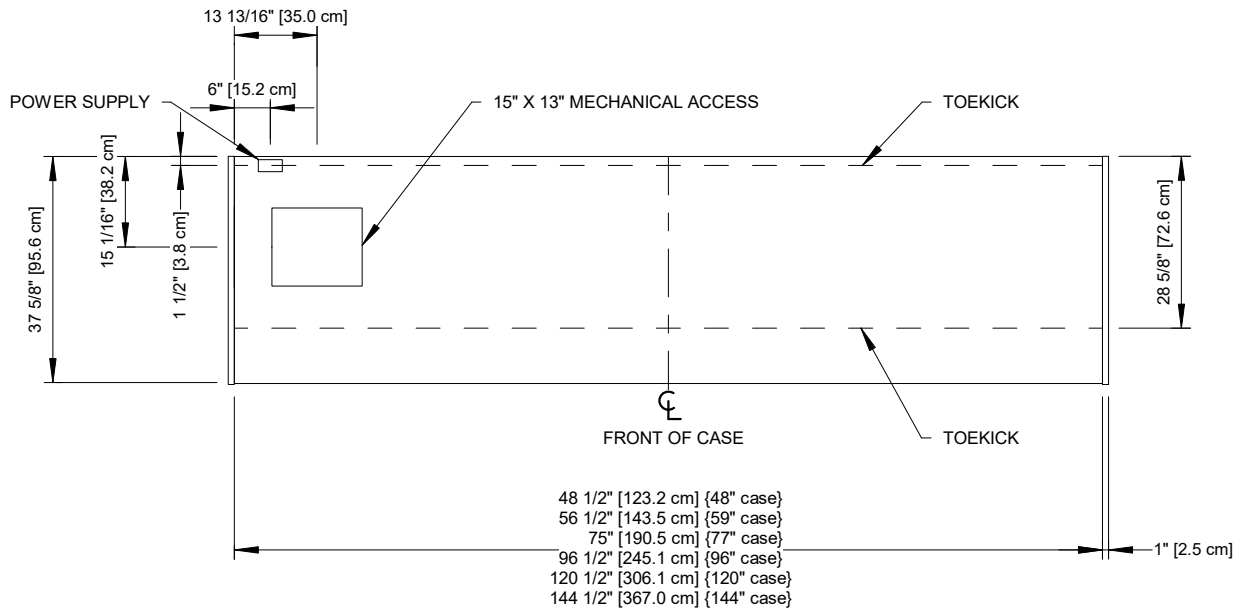
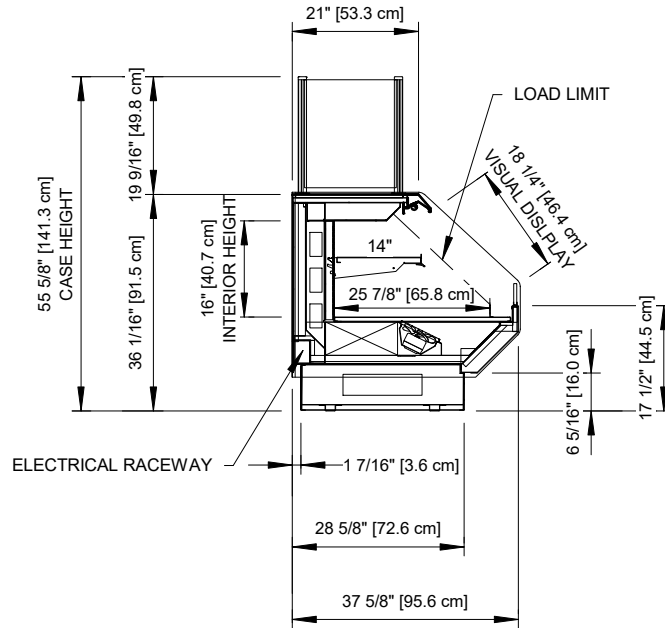
Rev. Date	Rev. #	Rev. Title
10-02-20	3	ENDVIEW UPDATE
09-19-19	2	ENDVIEW UPDATE



A DOVER COMPANY

# BLF-CR

Self-Service Open Multi-Counter Height Merchandiser  
48", 59", 77", 96", 120" & 144" (Bakery)



Intertek Intertek

ENGINEERED FOR STORES WITH AMBIENT CONDITIONS NOT TO EXCEED 75° AND 55% RELATIVE HUMIDITY. DUE TO ENGINEERING IMPROVEMENTS SPECIFICATIONS MAY CHANGE WITHOUT NOTICE. ALL MEASUREMENTS ARE TAKEN PER ASHRAE-72-2005 SPECIFICATIONS. HILLPHOENIX REFRIGERATED DISPLAY CASES FOR SALE IN THE UNITED STATES MEET OR EXCEED DEPARTMENT OF ENERGY 2017 REQUIREMENTS. NUMBERS ARE BASED ON STANDARD CASE SIZES. CONSULT ENGINEERING.

## BLF-CR

Rev. Date	Rev. #	Rev. Title
10-02-20	3	ENDVIEW UPDATE
09-19-19	2	ENDVIEW UPDATE

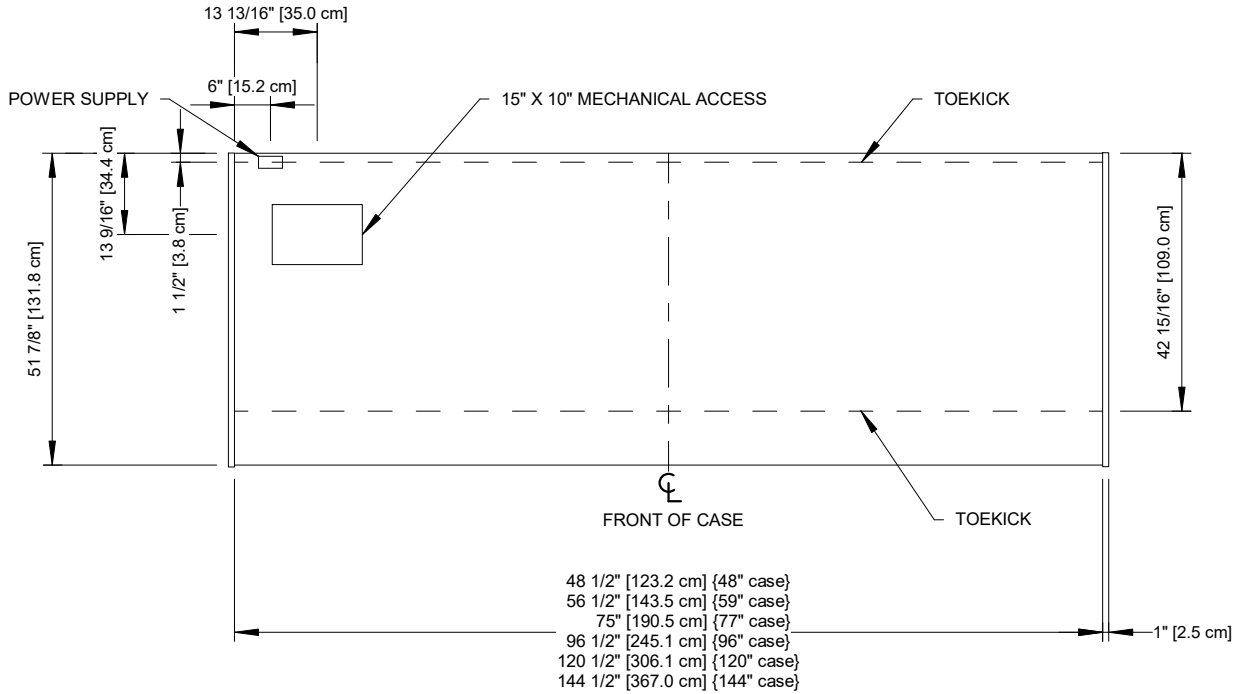
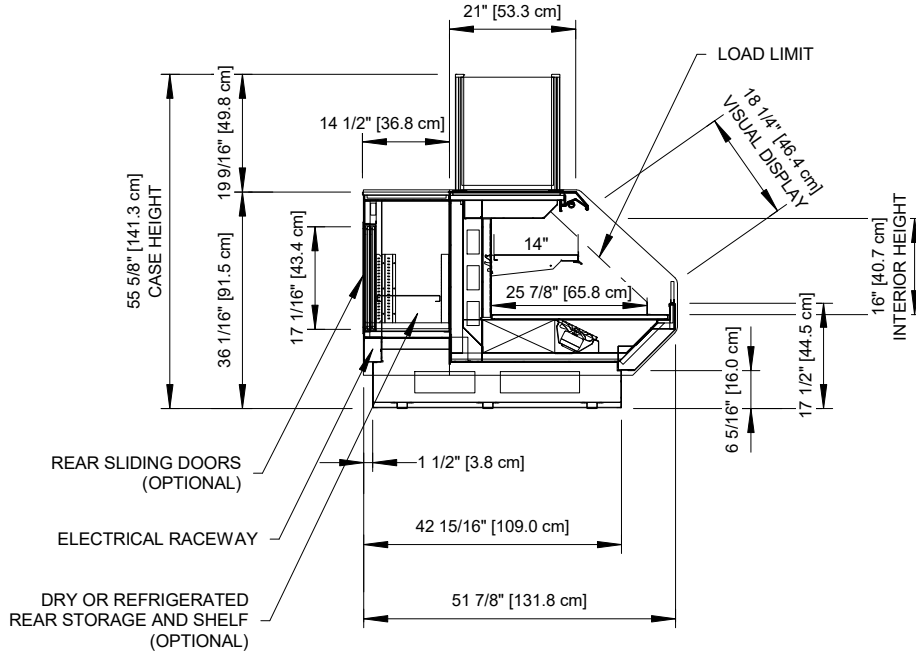


Hillphoenix

A DOVER COMPANY

# BLF-CR-RRS

Self-Service Open Multi-Deck Counter Merchandiser  
48", 59", 77", 96", 120" & 144" (Bakery)



## NOTES:

- Shown with optional rear storage.

2017  
**DOE**  
COMPLIANT



Intertek

Intertek

ENGINEERED FOR STORES WITH AMBIENT CONDITIONS NOT TO EXCEED 75° AND 55% RELATIVE HUMIDITY. DUE TO ENGINEERING IMPROVEMENTS SPECIFICATIONS MAY CHANGE WITHOUT NOTICE. ALL MEASUREMENTS ARE TAKEN PER ASHRAE-72-2005 SPECIFICATIONS. HILLPHOENIX REFRIGERATED DISPLAY CASES FOR SALE IN THE UNITED STATES MEET OR EXCEED DEPARTMENT OF ENERGY 2017 REQUIREMENTS. NUMBERS ARE BASED ON STANDARD CASE SIZES. CONSULT ENGINEERING.

## BLF-CR-RRS

Rev. Date	Rev. #	Rev. Title
10-02-20	3	ENDVIEW UPDATE
09-19-19	2	ENDVIEW UPDATE

Clearyant  
LED SYSTEM

**Hillphoenix**

A DOVER COMPANY