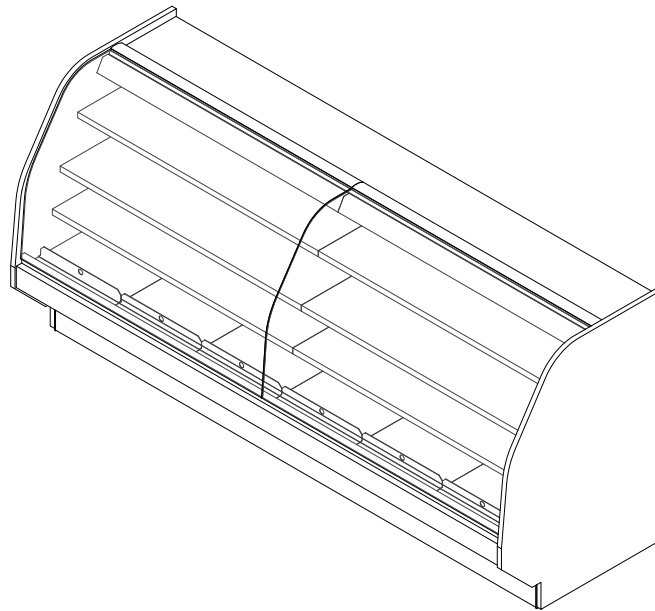


GENERAL NOTES:

- "---" Indicates that the feature is not an option on this case model and/or the data is not yet available at this time.



SHIPPING WEIGHT	
Case	Weight
BLF-R	---



ENGINEERED FOR STORES WITH AMBIENT CONDITIONS NOT TO EXCEED 75° AND 55% RELATIVE HUMIDITY. DUE TO ENGINEERING IMPROVEMENTS SPECIFICATIONS MAY CHANGE WITHOUT NOTICE. ALL MEASUREMENTS ARE TAKEN PER ASHRAE-72-2005 SPECIFICATIONS. HILLPHOENIX REFRIGERATED DISPLAY CASES FOR SALE IN THE UNITED STATES MEET OR EXCEED DEPARTMENT OF ENERGY 2017 REQUIREMENTS. NUMBERS ARE BASED ON STANDARD CASE SIZES. CONSULT ENGINEERING.

BLF-R

Rev. Date	Rev. #	Rev. Title
10-02-20	3	ENDVIEW UPDATE
05-14-20	2	DATA UPDATE



A DOVER COMPANY

ELECTRICAL DATA										
Case Length	Fans Per Case	High Efficiency Fans		Anti-Condensate (Air Sweep) Fans			Drain Heaters		Optional Defrost Heaters	
		120 Volts		Fans Per Case	120 Volts		120 Volts		208 Volts	
		Amps	Watts		Amps	Watts	Amps	Watts	Amps	Watts
48"	2	0.60	72.0	1	0.24	20.0	---	---	---	---
59"	2	0.60	72.0	1	0.24	20.0	---	---	---	---
77"	3	0.90	108.0	2	0.48	40.0	---	---	---	---
96"	3	0.90	108.0	2	0.48	40.0	---	---	---	---
113"	4	1.20	144.0	3	0.72	60.0	---	---	---	---
144"	4	1.20	144.0	3	0.72	60.0	---	---	---	---

LIGHTING DATA						
Case Length	Lights Per Row	Light Length	Clearvoyant 4 LED Lighting (Per Light Row)			
			Standard Power (Cornice or Shelf)		High Power (Cornice)	
			120 Volts		120 Volts	
			Amps	Watts	Amps	Watts
48"	1	4'	0.05	5.9	0.12	14.9
59"	1	4'	0.05	5.9	0.12	14.9
77"	2	3'	0.08	9.4	0.20	23.8
96"	2	4'	0.10	11.8	0.24	29.8
113"	2	4'	0.10	11.8	0.24	29.8
144"	3	4'	0.15	17.7	0.36	44.7

GUIDELINES AND CONTROL SETTINGS (DX)					
BTUH/ft		Superheat Set Point @ Bulb (°F)	Evaporator (°F)	Discharge Air (°F)	Discharge Air Velocity (FPM)
Conventional	Parallel				
451	428	10 - 14	24	31	580 - 600

NOTES:

- "---" Indicates that the feature is not an option on this case model and/or the data is not yet available at this time.
- Listed BTUH indicates unlighted shelves. Add the following for lighted shelves:
 4' Shelf LED: 36 BTUH
 4' Canopy LED: 72 BTUH
 3' Shelf LED: 27 BTUH
 3' Hi-Output LED: 54 BTUH
- Listed discharge air velocity represents the average velocity at the peak of defrost.
- * Time-off duration for defrost with no termination control.



ENGINEERED FOR STORES WITH AMBIENT CONDITIONS NOT TO EXCEED 75° AND 55% RELATIVE HUMIDITY. DUE TO ENGINEERING IMPROVEMENTS SPECIFICATIONS MAY CHANGE WITHOUT NOTICE. ALL MEASUREMENTS ARE TAKEN PER ASHRAE-72-2005 SPECIFICATIONS. HILLPHOENIX REFRIGERATED DISPLAY CASES FOR SALE IN THE UNITED STATES MEET OR EXCEED DEPARTMENT OF ENERGY 2017 REQUIREMENTS. NUMBERS ARE BASED ON STANDARD CASE SIZES. CONSULT ENGINEERING.

BLF-R

Rev. Date	Rev. #	Rev. Title
10-02-20	3	ENDVIEW UPDATE
05-14-20	2	DATA UPDATE



DEFROST CONTROLS							
Defrosts Per Day	Run-Off Time (Min)	Electric Defrost		Timed-Off Defrost		Hot Gas Defrost	
		Fail-Safe (Min)	Termination Temp (°F)	Fail-Safe (Min)	Termination Temp (°F)	Fail-Safe (Min)	Termination Temp (°F)
4	---	---	---	30/*17	40	---	---

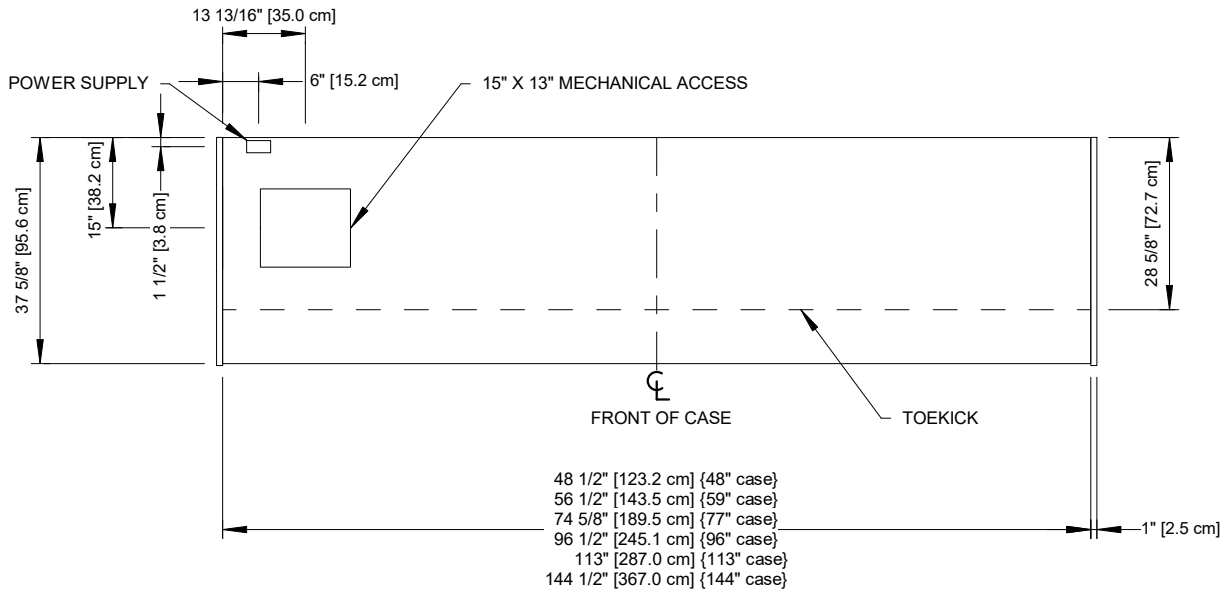
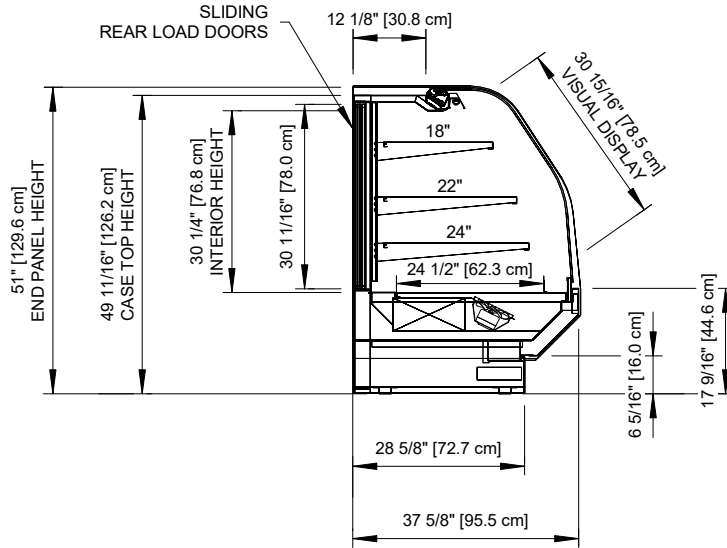


ENGINEERED FOR STORES WITH AMBIENT CONDITIONS NOT TO EXCEED 75° AND 55% RELATIVE HUMIDITY. DUE TO ENGINEERING IMPROVEMENTS SPECIFICATIONS MAY CHANGE WITHOUT NOTICE. ALL MEASUREMENTS ARE TAKEN PER ASHRAE-72-2005 SPECIFICATIONS. HILLPHOENIX REFRIGERATED DISPLAY CASES FOR SALE IN THE UNITED STATES MEET OR EXCEED DEPARTMENT OF ENERGY 2017 REQUIREMENTS. NUMBERS ARE BASED ON STANDARD CASE SIZES. CONSULT ENGINEERING.

BLF-R

Rev. Date	Rev. #	Rev. Title
10-02-20	3	ENDVIEW UPDATE
05-14-20	2	DATA UPDATE





Intertek Intertek

ENGINEERED FOR STORES WITH AMBIENT CONDITIONS NOT TO EXCEED 75° AND 55% RELATIVE HUMIDITY. DUE TO ENGINEERING IMPROVEMENTS SPECIFICATIONS MAY CHANGE WITHOUT NOTICE. ALL MEASUREMENTS ARE TAKEN PER ASHRAE-72-2005 SPECIFICATIONS. HILLPHOENIX REFRIGERATED DISPLAY CASES FOR SALE IN THE UNITED STATES MEET OR EXCEED DEPARTMENT OF ENERGY 2017 REQUIREMENTS. NUMBERS ARE BASED ON STANDARD CASE SIZES. CONSULT ENGINEERING.

BLF-R

Rev. Date	Rev. #	Rev. Title
10-02-20	3	ENDVIEW UPDATE
05-14-20	2	DATA UPDATE



Hillphoenix

A DOVER COMPANY