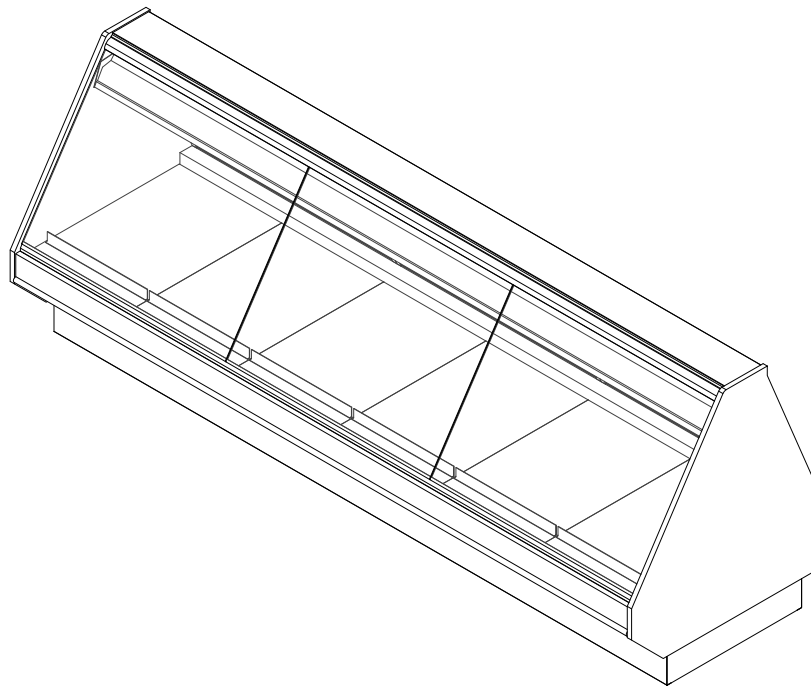


**GENERAL NOTES:**

- "---" Indicates that the feature is not an option on this case model and/or the data is not yet available at this time.
- Curved glass. (optional)



| SHIPPING WEIGHT |        |
|-----------------|--------|
| Case            | Weight |
| BMD-RG          | ---    |



ENGINEERED FOR STORES WITH AMBIENT CONDITIONS NOT TO EXCEED 75° AND 55% RELATIVE HUMIDITY. DUE TO ENGINEERING IMPROVEMENTS SPECIFICATIONS MAY CHANGE WITHOUT NOTICE. ALL MEASUREMENTS ARE TAKEN PER ASHRAE-72-2005 SPECIFICATIONS. HILLPHOENIX REFRIGERATED DISPLAY CASES FOR SALE IN THE UNITED STATES MEET OR EXCEED DEPARTMENT OF ENERGY 2017 REQUIREMENTS. NUMBERS ARE BASED ON STANDARD CASE SIZES. CONSULT ENGINEERING.

**BMD-RG**

| Rev. Date | Rev. # | Rev. Title    |
|-----------|--------|---------------|
| 07-28-20  | 1      | NEW STANDARDS |
|           |        |               |



A DOVER COMPANY

| ELECTRICAL DATA |               |                      |       |                      |       |               |       |                          |       |
|-----------------|---------------|----------------------|-------|----------------------|-------|---------------|-------|--------------------------|-------|
| Case Length     | Fans Per Case | High Efficiency Fans |       | Anti-Condensate Fans |       | Drain Heaters |       | Optional Defrost Heaters |       |
|                 |               | 120 Volts            |       | 120 Volts            |       | 120 Volts     |       | 208 Volts                |       |
|                 |               | Amps                 | Watts | Amps                 | Watts | Amps          | Watts | Amps                     | Watts |
| 4'              | ---           | ---                  | ---   | 0.26                 | 31.2  | ---           | ---   | ---                      | ---   |
| 6'              | ---           | ---                  | ---   | 0.52                 | 62.4  | ---           | ---   | ---                      | ---   |
| 8'              | ---           | ---                  | ---   | 1.04                 | 124.8 | ---           | ---   | ---                      | ---   |
| 10'             | ---           | ---                  | ---   | 1.04                 | 124.8 | ---           | ---   | ---                      | ---   |
| 12'             | ---           | ---                  | ---   | 1.26                 | 151.2 | ---           | ---   | ---                      | ---   |

| LIGHTING DATA |                |              |  |       |                      |       |
|---------------|----------------|--------------|--|-------|----------------------|-------|
| Case Length   | Lights Per Row | Light Length | Clearvoyant 4 LED Lighting (Per Light Row) |       |                      |       |
|               |                |              | Standard Power (Cornice or Shelf)          |       | High Power (Cornice) |       |
|               |                |              | 120 Volts                                  |       | 120 Volts            |       |
|               |                |              | Amps                                       | Watts | Amps                 | Watts |
| 4'            | 1              | 4'           | 0.05                                       | 5.9   | 0.12                 | 14.9  |
| 6'            | 2              | 3'           | 0.08                                       | 9.4   | 0.20                 | 23.8  |
| 8'            | 2              | 4'           | 0.10                                       | 11.8  | 0.24                 | 29.8  |
| 10'           | 2              | 5'           | 0.12                                       | 15.0  | 0.30                 | 37.0  |
| 12'           | 3              | 4'           | 0.15                                       | 17.7  | 0.36                 | 44.7  |

| GUIDELINES AND CONTROL SETTINGS (DX) |          |                                 |                 |                    |                              |
|--------------------------------------|----------|---------------------------------|-----------------|--------------------|------------------------------|
| BTUH/ft                              |          | Superheat Set Point @ Bulb (°F) | Evaporator (°F) | Discharge Air (°F) | Discharge Air Velocity (FPM) |
| Conventional                         | Parallel |                                 |                 |                    |                              |
| 708                                  | 650      | 10                              | 15              | 28                 | ---                          |

| DEFROST CONTROLS |                    |                  |                       |                   |                       |                 |                       |
|------------------|--------------------|------------------|-----------------------|-------------------|-----------------------|-----------------|-----------------------|
| Defrosts Per Day | Run-Off Time (Min) | Electric Defrost |                       | Timed-Off Defrost |                       | Hot Gas Defrost |                       |
|                  |                    | Fail-Safe (Min)  | Termination Temp (°F) | Fail-Safe (Min)   | Termination Temp (°F) | Fail-Safe (Min) | Termination Temp (°F) |
| 1                | ---                | ---              | ---                   | 90                | ---                   | ---             | ---                   |

**NOTES:**

- "----" Indicates that the feature is not an option on this case model and/or the data is not yet available at this time.
- Listed discharge air velocity represents the average velocity at the peak of defrost.
- Units equipped with RH systems require 2 defrosts per day with a fail-safe of 120 minutes.
- Listed data is based on the factory recommended default fresh meat temperature settings.
- Shelves are not recommended for fresh meat applications.



ENGINEERED FOR STORES WITH AMBIENT CONDITIONS NOT TO EXCEED 75° AND 55% RELATIVE HUMIDITY. DUE TO ENGINEERING IMPROVEMENTS SPECIFICATIONS MAY CHANGE WITHOUT NOTICE. ALL MEASUREMENTS ARE TAKEN PER ASHRAE-72-2005 SPECIFICATIONS. HILLPHOENIX REFRIGERATED DISPLAY CASES FOR SALE IN THE UNITED STATES MEET OR EXCEED DEPARTMENT OF ENERGY 2017 REQUIREMENTS. NUMBERS ARE BASED ON STANDARD CASE SIZES. CONSULT ENGINEERING.

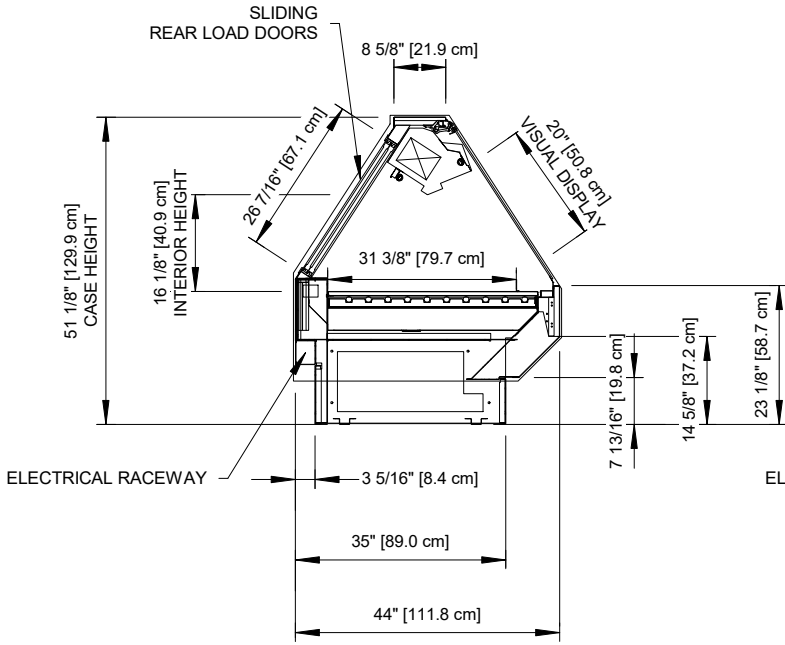
**BMD-RG**

| Rev. Date | Rev. # | Rev. Title    |
|-----------|--------|---------------|
| 07-28-20  | 1      | NEW STANDARDS |

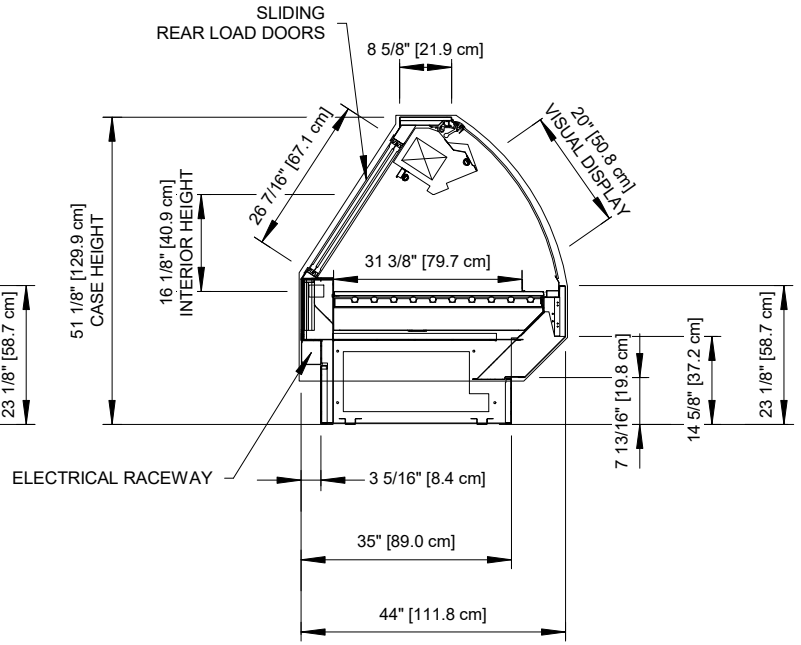


# BMD-RG

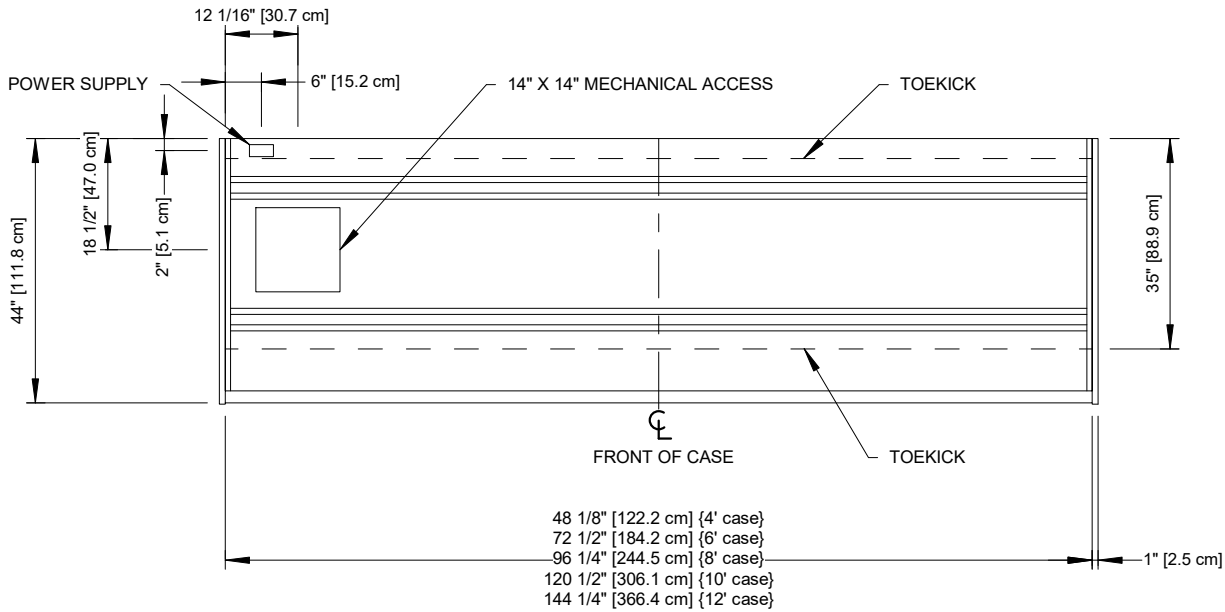
# Service Multi-Deck Merchandiser w/ Flat Lift Glass 4', 6', 8', 10' & 12' (Meat/Seafood)



**FLAT GLASS**



**CURVED GLASS**



2017  
**DOE**  
COMPLIANT



Intertek



Intertek

ENGINEERED FOR STORES WITH AMBIENT CONDITIONS NOT TO EXCEED 75° AND 55% RELATIVE HUMIDITY. DUE TO ENGINEERING IMPROVEMENTS SPECIFICATIONS MAY CHANGE WITHOUT NOTICE. ALL MEASUREMENTS ARE TAKEN PER ASHRAE-72-2005 SPECIFICATIONS. HILLPHOENIX REFRIGERATED DISPLAY CASES FOR SALE IN THE UNITED STATES MEET OR EXCEED DEPARTMENT OF ENERGY 2017 REQUIREMENTS. NUMBERS ARE BASED ON STANDARD CASE SIZES. CONSULT ENGINEERING.

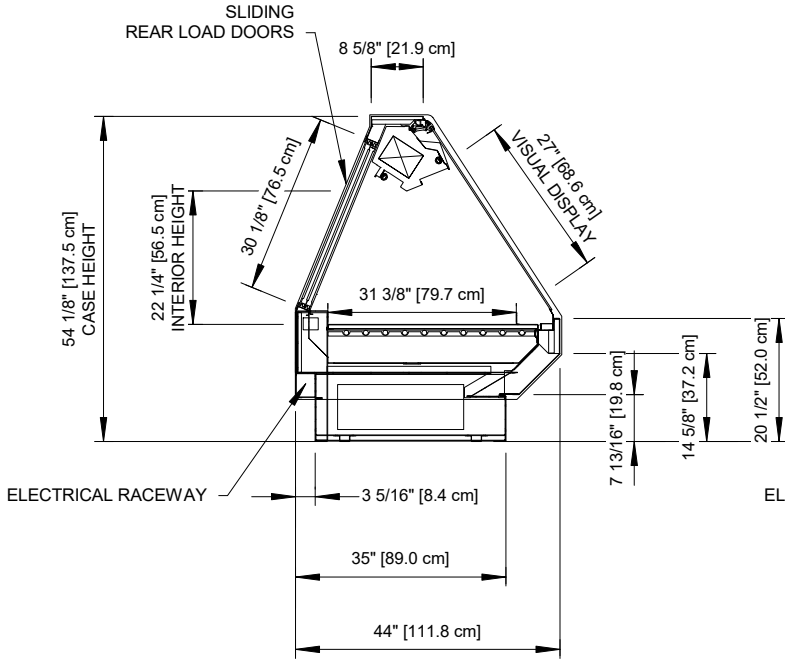
## BMD-RG

| Rev. Date | Rev. # | Rev. Title    |
|-----------|--------|---------------|
| 07-28-20  | 1      | NEW STANDARDS |

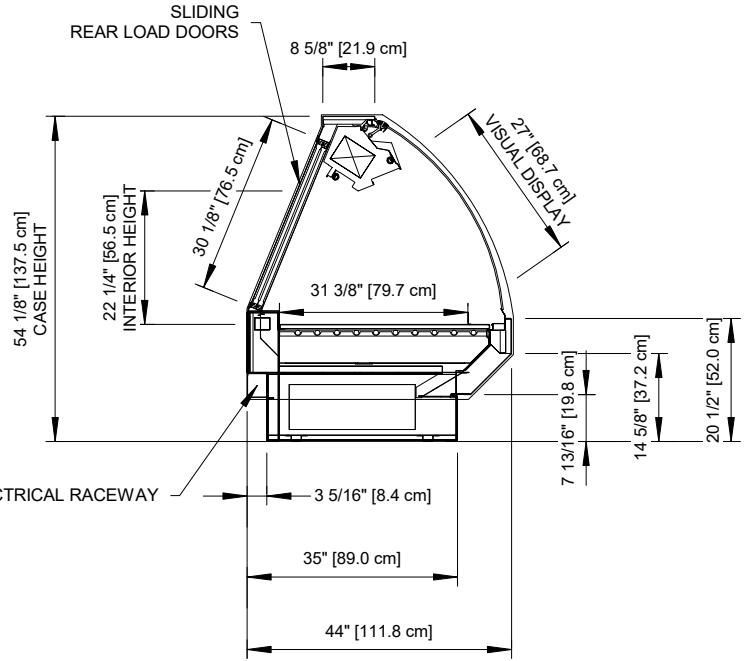
Clearovant  
LED SYSTEM

**Hillphoenix**

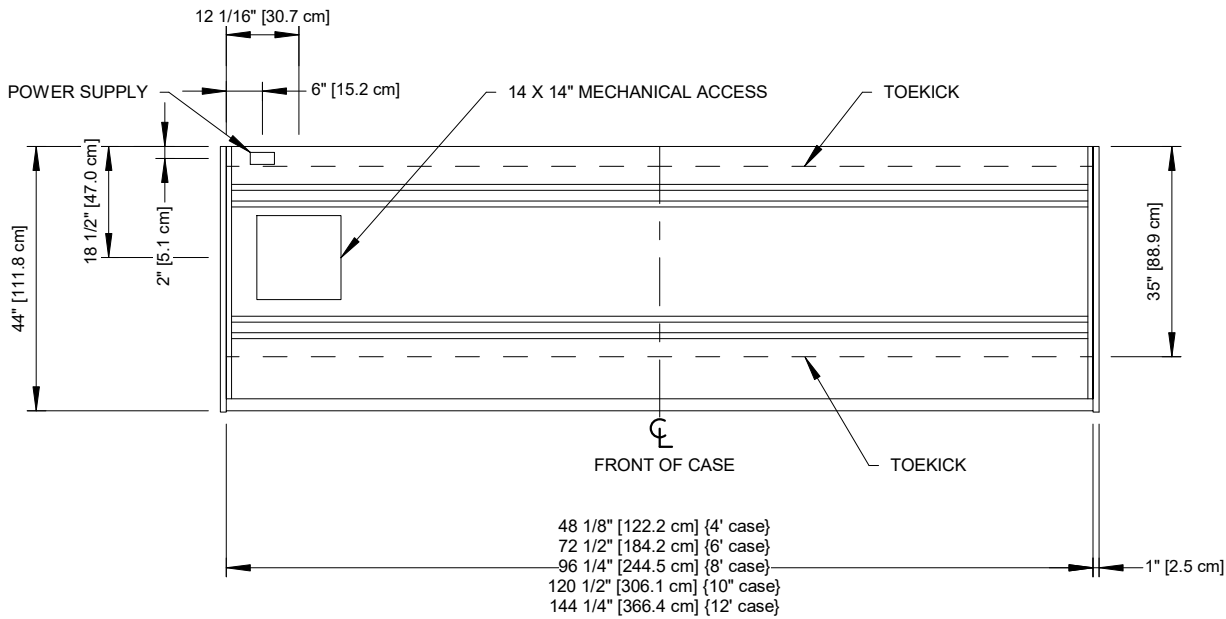
A DOVER COMPANY



**FLAT GLASS**



**CURVED GLASS**



Intertek Intertek

ENGINEERED FOR STORES WITH AMBIENT CONDITIONS NOT TO EXCEED 75° AND 55% RELATIVE HUMIDITY. DUE TO ENGINEERING IMPROVEMENTS SPECIFICATIONS MAY CHANGE WITHOUT NOTICE. ALL MEASUREMENTS ARE TAKEN PER ASHRAE-72-2005 SPECIFICATIONS. HILLPHOENIX REFRIGERATED DISPLAY CASES FOR SALE IN THE UNITED STATES MEET OR EXCEED DEPARTMENT OF ENERGY 2017 REQUIREMENTS. NUMBERS ARE BASED ON STANDARD CASE SIZES. CONSULT ENGINEERING.

## BMD-RG

| Rev. Date | Rev. # | Rev. Title    |
|-----------|--------|---------------|
| 07-28-20  | 1      | NEW STANDARDS |



**Hillphoenix**

A DOVER COMPANY