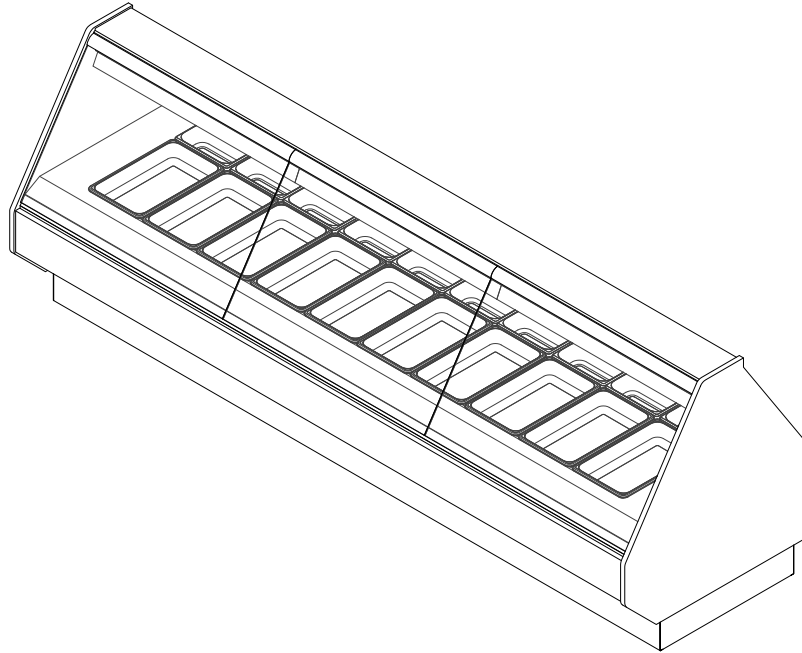


GENERAL NOTES

- "---" Indicates that the feature is not an option on this case model and/or the data is not yet available at this time.
- Curved glass. (optional)



SHIPPING WEIGHT	
Case	Weight
BMDH	---



ENGINEERED FOR STORES WITH AMBIENT CONDITIONS NOT TO EXCEED 75° AND 55% RELATIVE HUMIDITY. DUE TO ENGINEERING IMPROVEMENTS SPECIFICATIONS MAY CHANGE WITHOUT NOTICE. ALL MEASUREMENTS ARE TAKEN PER ASHRAE-72-2005 SPECIFICATIONS. HILLPHOENIX REFRIGERATED DISPLAY CASES FOR SALE IN THE UNITED STATES MEET OR EXCEED DEPARTMENT OF ENERGY 2017 REQUIREMENTS. NUMBERS ARE BASED ON STANDARD CASE SIZES. CONSULT ENGINEERING.

BMDH

Rev. Date	Rev. #	Rev. Title
05-13-19	1	NEW STANDARDS

SERVICE DATA												
Case Length	Top Heaters		Bottom Heaters		Lights		Shelves		Total Amps (120/208-1-60)	Total Amps (120/208-3-60)		
	Qty	Watts (Each)	Qty	Watts (Each)	Qty	Watts (Each)	Qty	Watts (Each)		L1	L2	L3
4'	3	400.0	3	600.0	3	100.0	---	---	---	9.13	11.19	8.56
6'	4	400.0	3	600.0	3	100.0	---	---	---	9.13	11.19	8.56
8'	6	400.0	4	600.0	4	100.0	---	---	---	12.98	13.10	13.46
10'	6	400.0	5	600.0	5	100.0	---	---	---	17.01	17.76	13.44
12'	8	400.0	6	600.0	6	100.0	---	---	---	21.12	19.20	19.50

ELECTRICAL DATA			
Case Length	Fans Per Case	Convection Fans	
		120 Volts	
		Amps	Watts
4'	3	0.09	21.0
6'	3	0.09	21.0
8'	4	0.12	28.0
10'	4	0.12	28.0
12'	5	0.15	35.0

LIGHTING DATA				
Case Length	Lights Per Row	Light Length	Incandescent Lighting (Per Light Row)	
			Amps	Watts
4'	3	---	1.44	300.0
6'	3	---	1.44	300.0
8'	4	---	1.92	400.0
10'	5	---	2.40	500.0
12'	6	---	2.88	600.0

NOTES

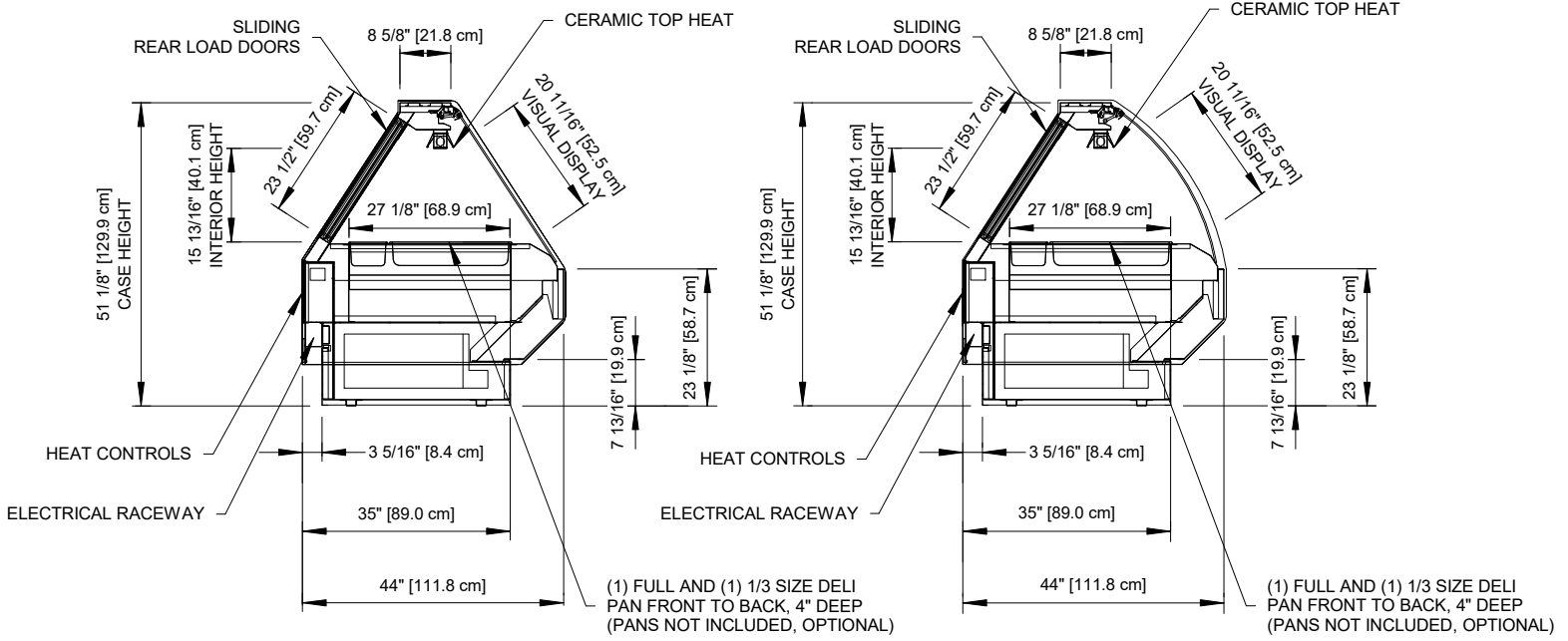
- "----" Indicates that the feature is not an option on this case model and/or the data is not yet available at this time.



ENGINEERED FOR STORES WITH AMBIENT CONDITIONS NOT TO EXCEED 75° AND 55% RELATIVE HUMIDITY. DUE TO ENGINEERING IMPROVEMENTS SPECIFICATIONS MAY CHANGE WITHOUT NOTICE. ALL MEASUREMENTS ARE TAKEN PER ASHRAE-72-2005 SPECIFICATIONS. HILLPHOENIX REFRIGERATED DISPLAY CASES FOR SALE IN THE UNITED STATES MEET OR EXCEED DEPARTMENT OF ENERGY 2017 REQUIREMENTS. NUMBERS ARE BASED ON STANDARD CASE SIZES. CONSULT ENGINEERING.

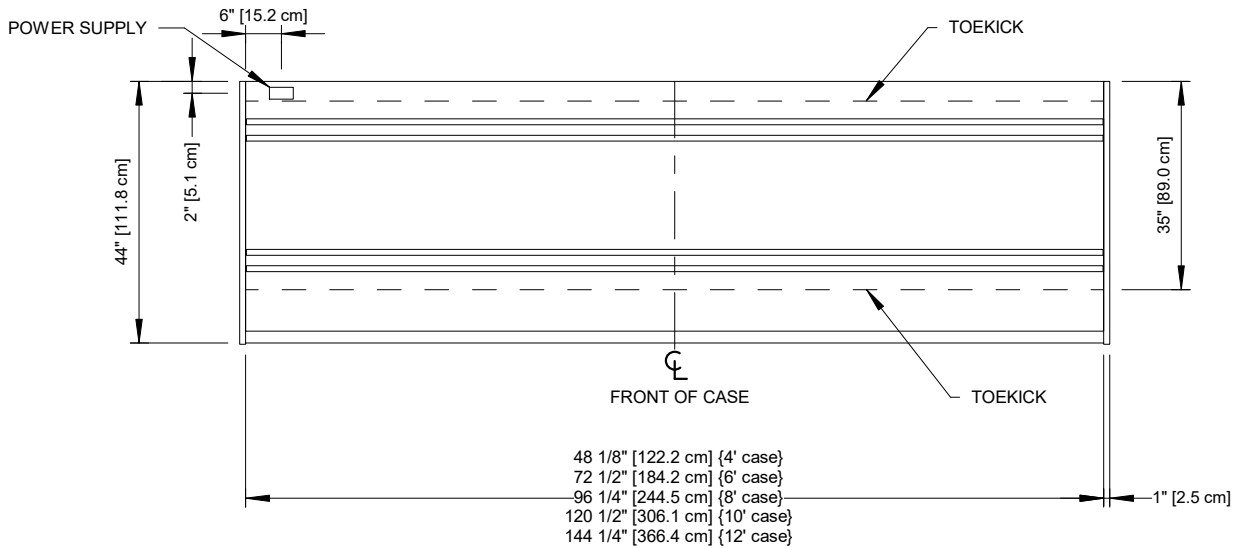
BMDH

Rev. Date	Rev. #	Rev. Title
05-13-19	1	NEW STANDARDS



FLAT GLASS

CURVED GLASS (OPTIONAL)



ENGINEERED FOR STORES WITH AMBIENT CONDITIONS NOT TO EXCEED 75° AND 55% RELATIVE HUMIDITY. DUE TO ENGINEERING IMPROVEMENTS SPECIFICATIONS MAY CHANGE WITHOUT NOTICE. ALL MEASUREMENTS ARE TAKEN PER ASHRAE-72-2005 SPECIFICATIONS. HILLPHOENIX REFRIGERATED DISPLAY CASES FOR SALE IN THE UNITED STATES MEET OR EXCEED DEPARTMENT OF ENERGY 2017 REQUIREMENTS. NUMBERS ARE BASED ON STANDARD CASE SIZES. CONSULT ENGINEERING.

BMDH

Rev. Date	Rev. #	Rev. Title
05-13-19	1	NEW STANDARDS