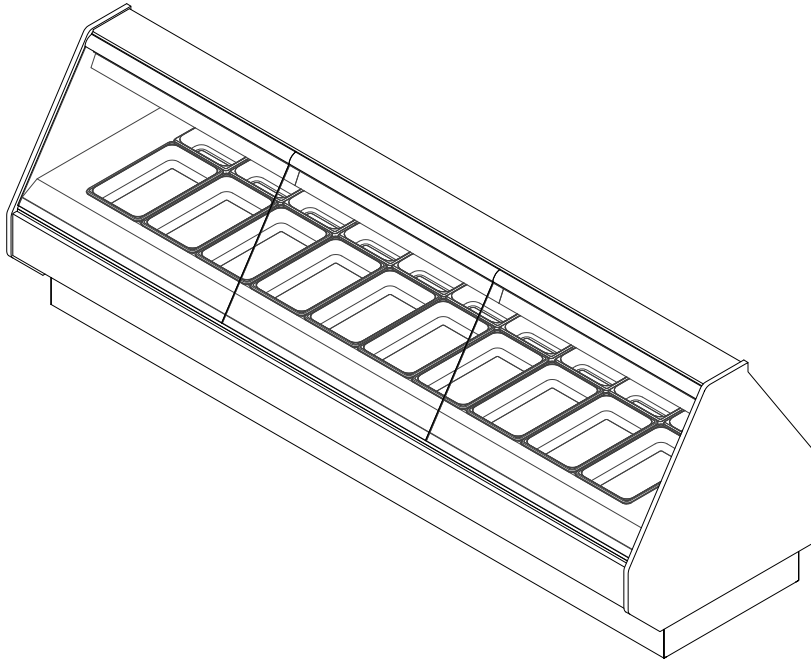


GENERAL NOTES:

- "---" Indicates that the feature is not an option on this case model and/or the data is not yet available at this time.
- Curved glass. (optional)



SHIPPING WEIGHT	
Case	Weight
BMD-H	---



ENGINEERED FOR STORES WITH AMBIENT CONDITIONS NOT TO EXCEED 75° AND 55% RELATIVE HUMIDITY. DUE TO ENGINEERING IMPROVEMENTS SPECIFICATIONS MAY CHANGE WITHOUT NOTICE. ALL MEASUREMENTS ARE TAKEN PER ASHRAE-72-2005 SPECIFICATIONS. HILLPHOENIX REFRIGERATED DISPLAY CASES FOR SALE IN THE UNITED STATES MEET OR EXCEED DEPARTMENT OF ENERGY 2017 REQUIREMENTS. NUMBERS ARE BASED ON STANDARD CASE SIZES. CONSULT ENGINEERING.

BMD-H

Rev. Date	Rev. #	Rev. Title
07-21-20	2	ENDVIEW UPDATE
05-13-19	1	NEW STANDARDS

SERVICE DATA												
Case Length	Top Heaters		Bottom Heaters		Lights		Shelves		Total Amps (120/208-1-60)	Total Amps (120/208-3-60)		
	Qty	Watts (Each)	Qty	Watts (Each)	Qty	Watts (Each)	Qty	Watts (Each)		L1	L2	L3
4'	---	---	---	---	---	---	---	---	---	---	---	---
6'	---	---	---	---	---	---	---	---	---	---	---	---
8'	---	---	---	---	---	---	---	---	---	---	---	---
10'	---	---	---	---	---	---	---	---	---	---	---	---
12'	8	400.0	6	600.0	6	100.0	---	---	---	21.12	19.20	19.50

ELECTRICAL DATA			
Case Length	Fans Per Case	Convection Fans	
		120 Volts	
		Amps	Watts
4'	---	---	---
6'	---	---	---
8'	---	---	---
10'	---	---	---
12'	5	0.15	35.0

LIGHTING DATA				
Case Length	Lights Per Row	Light Length	Incandescent Lighting (Per Light Row)	
			Amps	Watts
4'	---	---	---	---
6'	---	---	---	---
8'	---	---	---	---
10'	---	---	---	---
12'	6	---	2.88	600.0

NOTES:

- "----" Indicates that the feature is not an option on this case model and/or the data is not yet available at this time.



ENGINEERED FOR STORES WITH AMBIENT CONDITIONS NOT TO EXCEED 75° AND 55% RELATIVE HUMIDITY. DUE TO ENGINEERING IMPROVEMENTS SPECIFICATIONS MAY CHANGE WITHOUT NOTICE. ALL MEASUREMENTS ARE TAKEN PER ASHRAE-72-2005 SPECIFICATIONS. HILLPHOENIX REFRIGERATED DISPLAY CASES FOR SALE IN THE UNITED STATES MEET OR EXCEED DEPARTMENT OF ENERGY 2017 REQUIREMENTS. NUMBERS ARE BASED ON STANDARD CASE SIZES. CONSULT ENGINEERING.

BMD-H

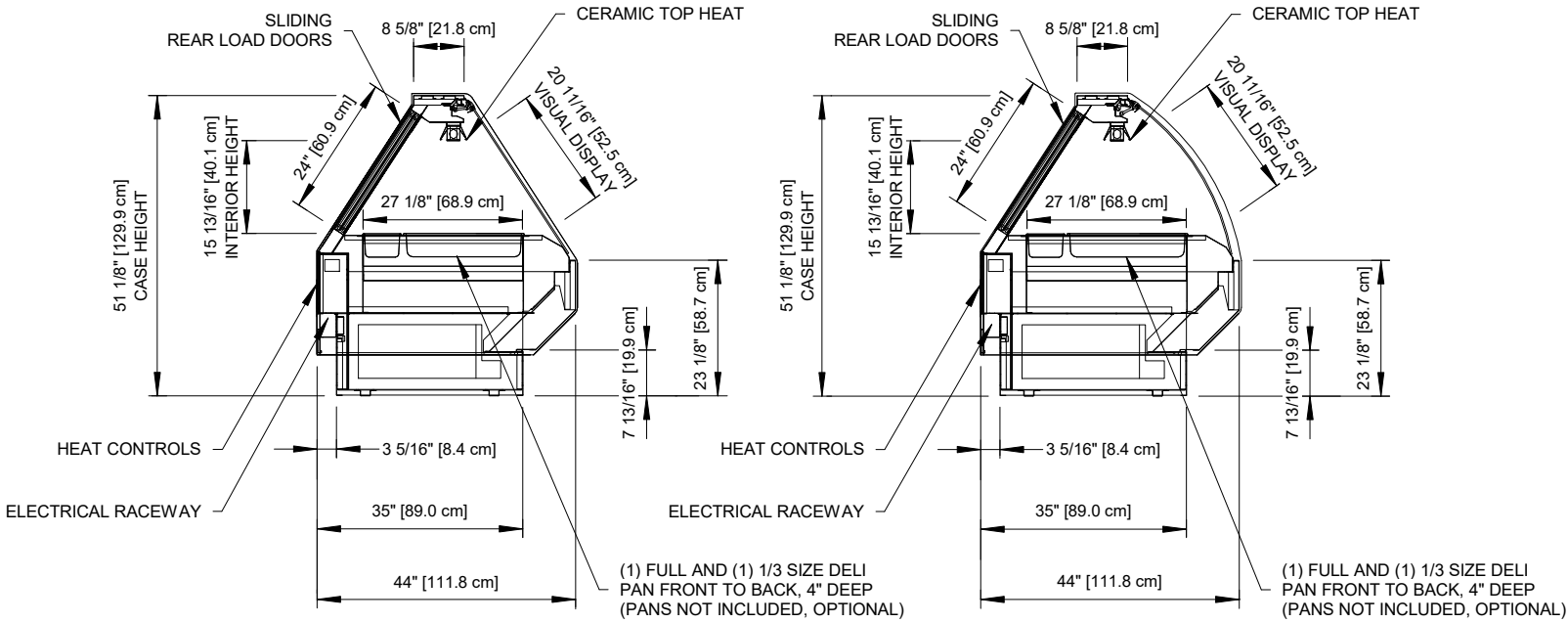
Rev. Date	Rev. #	Rev. Title
07-21-20	2	ENDVIEW UPDATE
05-13-19	1	NEW STANDARDS



A DOVER COMPANY

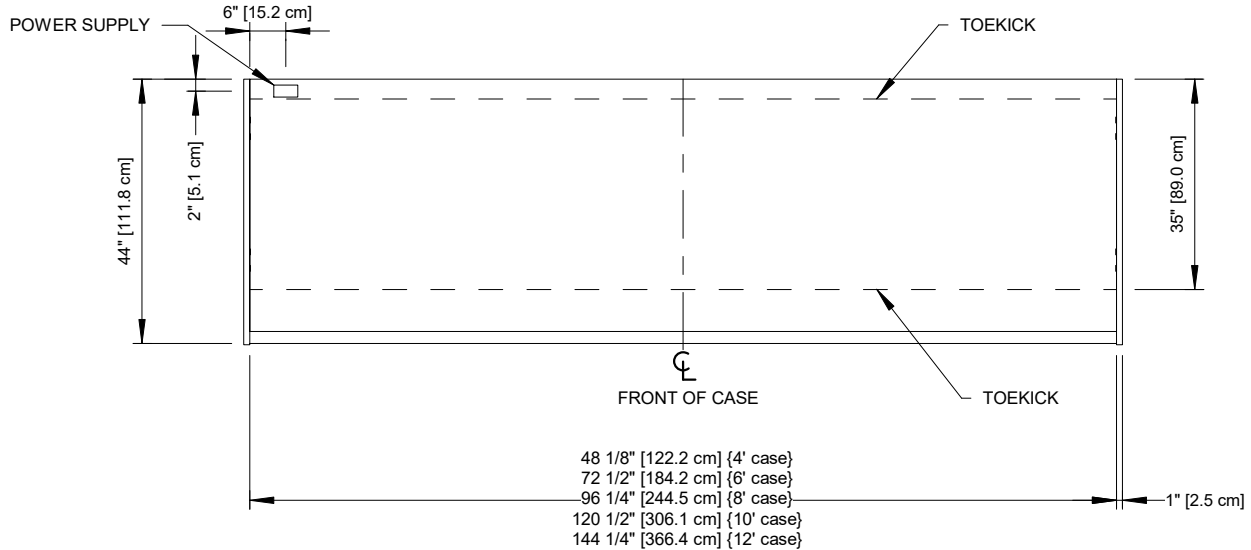
BMD-H

Service Single-Deck Hot Merchandiser w/ Flat or Curved Lift Glass
4', 6', 8', 10' & 12' (Deli)



FLAT GLASS

CURVED GLASS (OPTIONAL)



Intertek Intertek

ENGINEERED FOR STORES WITH AMBIENT CONDITIONS NOT TO EXCEED 75° AND 55% RELATIVE HUMIDITY. DUE TO ENGINEERING IMPROVEMENTS SPECIFICATIONS MAY CHANGE WITHOUT NOTICE. ALL MEASUREMENTS ARE TAKEN PER ASHRAE-72-2005 SPECIFICATIONS. HILLPHOENIX REFRIGERATED DISPLAY CASES FOR SALE IN THE UNITED STATES MEET OR EXCEED DEPARTMENT OF ENERGY 2017 REQUIREMENTS. NUMBERS ARE BASED ON STANDARD CASE SIZES. CONSULT ENGINEERING.

BMD-H

Rev. Date	Rev. #	Rev. Title
07-21-20	2	ENDVIEW UPDATE
05-13-19	1	NEW STANDARDS

Hillphoenix

A DOVER COMPANY