

Service Single-Deck Open Back Merchandiser w/ Flat Swing-Out Glass (Slide Optional)

BSD-SW REMOTE - 4', 6', 8', 10' & 12'

Electrical Data

Model		Fans per Case	High Efficiency Fans		Anti-Condensate Fans		Drain Heaters		Optional Defrost Heaters	
			120 Volts		120 Volts		120 Volts		208 Volts	
			Amps	Watts	Amps	Watts	Amps	Watts	Amps	Watts
BSD-SW	4'	1	0.3	36	---	---	---	---	---	---
	6'	2	0.6	72	---	---	---	---	---	---
	8'	2	0.6	72	---	---	---	---	---	---
	10'	3	0.9	108	---	---	---	---	---	---
	12'	4 ¹ /3	1.2/0.9	144/108	---	---	---	---	---	---

Lighting Data

Model		Lights per Row	Light Length (ft)	Clearvoyant 4 LED Lighting (Per Light Row)			
				Standard Power (Cornice or Shelf)		High Power (Cornice)	
				120 Volts		120 Volts	
				Amps	Watts	Amps	Watts
BSD-SW	4'	---	---	---	---	---	---
	6'	---	---	---	---	---	---
	8'	---	---	---	---	---	---
	10'	---	---	---	---	---	---
	12'	---	---	---	---	---	---

Guidelines & Control Settings (DX)

Model		Conventional BTUH/ft	Parallel BTUH/ft	Superheat Set Point @ Bulb (°F)	Evaporator (°F)	Discharge Air (°F)	Discharge Air ³ Velocity (FPM)
BSD-SW	DX (Ice)	135	123	10	24	29	115

Guidelines & Control Settings (Glycol)

Model	BTUH/ft	Glycol Supply (°F)		Flow Rate	Coil Volume (gal)
		20°F ⁴	25°F ⁵		
BSD-SW	135	---	---	0.0675	0.26

Defrost Controls

Model		Defrosts per Day	Run-Off Time (min)	Electric Defrost		Timed-Off Defrost		Hot Gas Defrost	
				Fail-Safe (min)	Termination Temp (°F)	Fail-Safe (min)	Termination Temp (°F)	Fail-Safe (min)	Termination Temp (°F)
BSD-SW	DX (Ice)	2	---	---	---	75/ ⁶ 60	42	---	---
	Glycol	2	---	---	---	90	45	---	---

1 Fans required in an inlet/outlet case design.

2 NOTE: "---" indicates data not applicable.

3 Average discharge air velocity at peak of defrost.

4 Propylene glycol mixture of 35% concentration by weight.

5 Propylene glycol mixture of 30% concentration by weight.

6 Time-off duration for defrost with no termination control.

Engineered for stores with ambient conditions not to exceed 75° and 55% relative humidity.

Due to engineering improvements specifications may change without notice.

All measurements are taken per ASHRAE - 72 - 2005 specifications.

Hillphoenix refrigerated display cases for sale in the United States meet or exceed department of energy 2017 efficiency requirements.

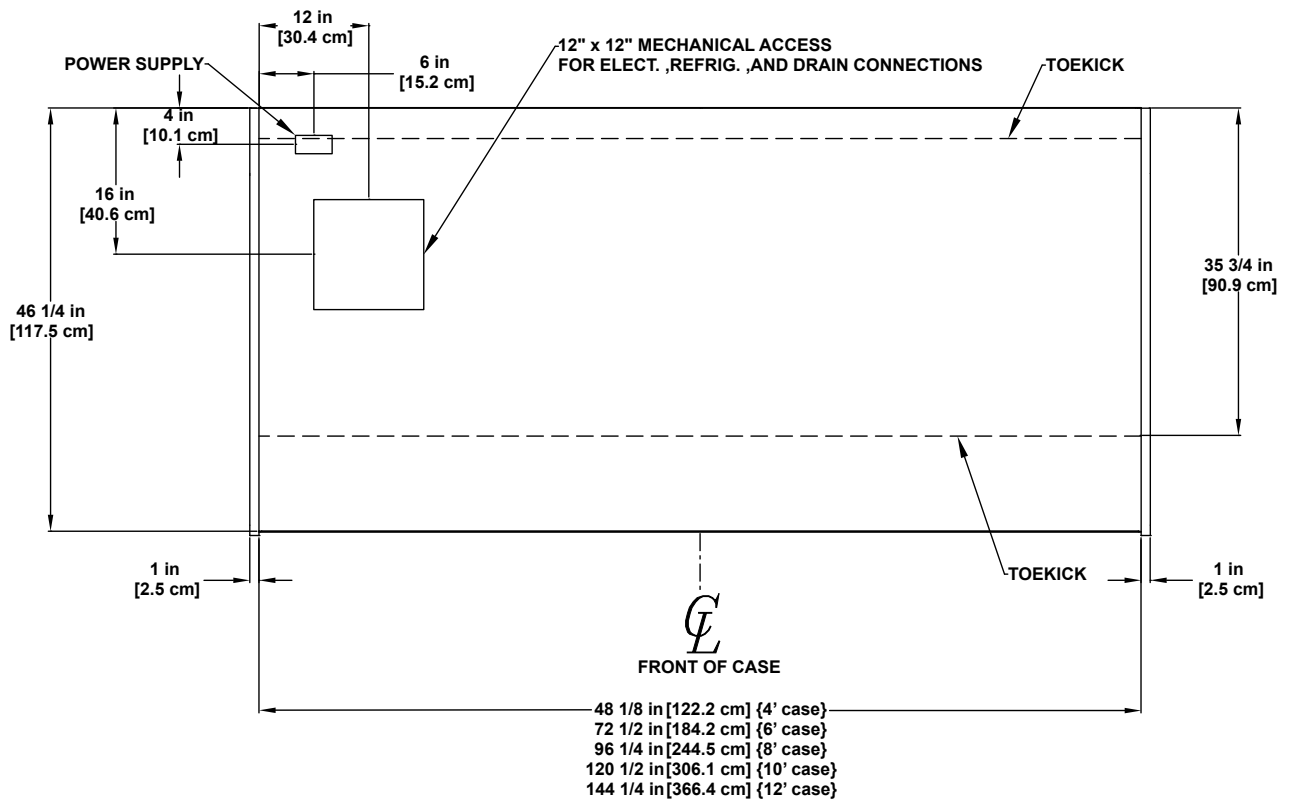
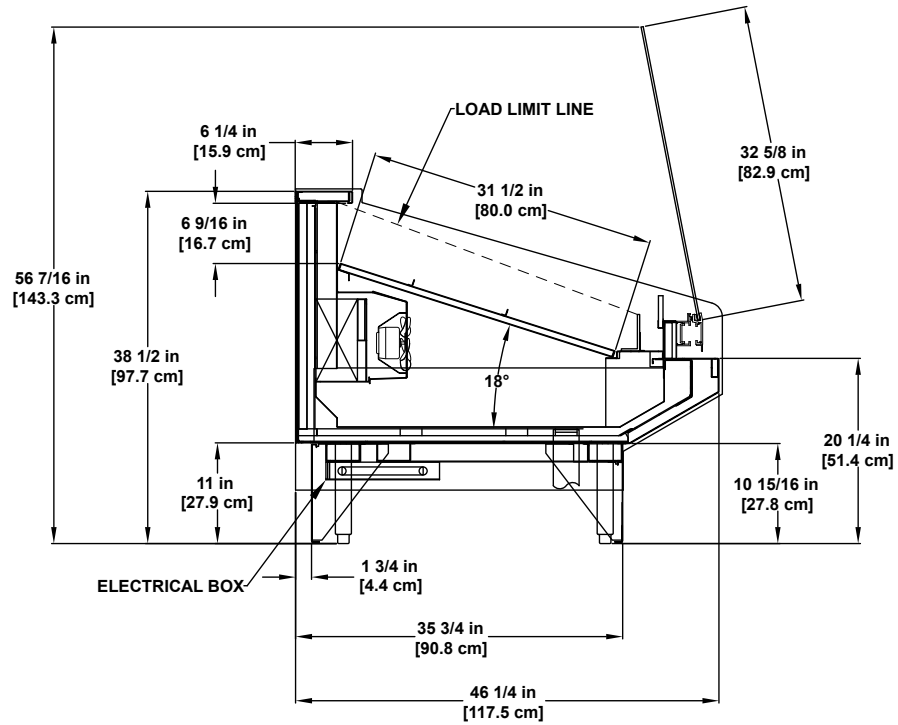
Numbers are based on standard case sizes. Consult engineering.



BSD-SW
(38" Remote)

Hillphoenix

A DOVER COMPANY



SERVICE
SINGLE-DECK

Seafood



BSD-SW
(43" Remote)

