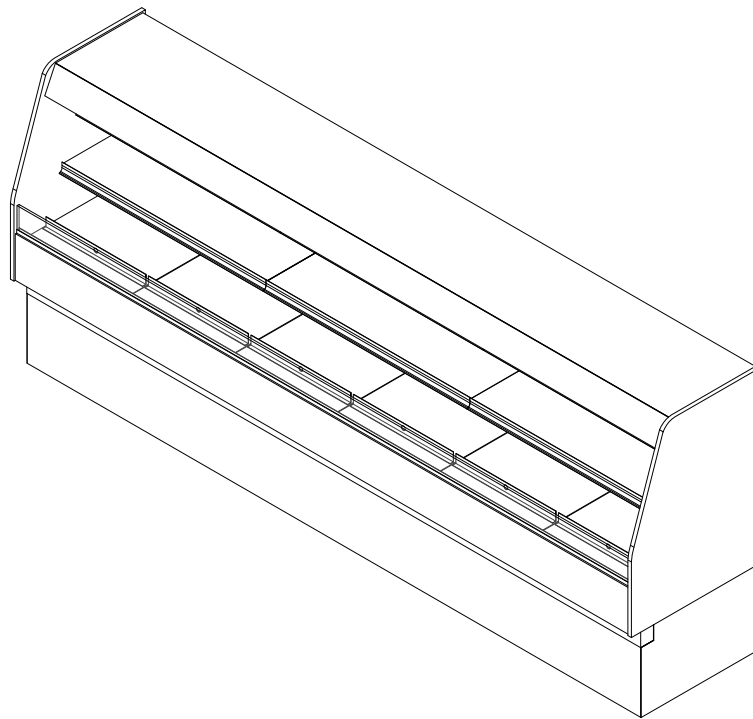


GENERAL NOTES:

- "---" Indicates that the feature is not an option on this case model and/or the data is not yet available at this time.



| SHIPPING WEIGHT | |
|-----------------|--------|
| Case | Weight |
| CF-R | --- |



ENGINEERED FOR STORES WITH AMBIENT CONDITIONS NOT TO EXCEED 75° AND 55% RELATIVE HUMIDITY. DUE TO ENGINEERING IMPROVEMENTS SPECIFICATIONS MAY CHANGE WITHOUT NOTICE. ALL MEASUREMENTS ARE TAKEN PER ASHRAE-72-2005 SPECIFICATIONS. HILLPHOENIX REFRIGERATED DISPLAY CASES FOR SALE IN THE UNITED STATES MEET OR EXCEED DEPARTMENT OF ENERGY 2017 REQUIREMENTS. NUMBERS ARE BASED ON STANDARD CASE SIZES. CONSULT ENGINEERING.

CF-R

| Rev. Date | Rev. # | Rev. Title |
|-----------|--------|---------------|
| 2-15-21 | 1 | NEW STANDARDS |



| ELECTRICAL DATA | | | | | | | | | |
|-----------------|---------------|----------------------|-------|----------------------|-------|---------------|-------|--------------------------|-------|
| Case Length | Fans Per Case | High Efficiency Fans | | Anti-Condensate Fans | | Drain Heaters | | Optional Defrost Heaters | |
| | | 120 Volts | | 120 Volts | | 120 Volts | | 208 Volts | |
| | | Amps | Watts | Amps | Watts | Amps | Watts | Amps | Watts |
| 4' | 2 | 0.60 | 72 | --- | --- | --- | --- | --- | --- |
| 6' | 2 | 0.60 | 72 | --- | --- | --- | --- | --- | --- |
| 8' | 3 | 0.90 | 108 | --- | --- | --- | --- | --- | --- |
| 10' | 3 | 0.90 | 108 | --- | --- | --- | --- | --- | --- |
| 12' | 4 | 1.20 | 144 | --- | --- | --- | --- | --- | --- |

| LIGHTING DATA | | | | | | |
|---------------|----------------|--------------|--|-------|----------------------|-------|
| Case Length | Lights Per Row | Light Length | Clearvoyant 4 LED Lighting (Per Light Row) | | | |
| | | | Standard Power (Cornice or Shelf) | | High Power (Cornice) | |
| | | | 120 Volts | | 120 Volts | |
| | | | Amps | Watts | Amps | Watts |
| 4' | 1 | 3' | 0.04 | 4.7 | 0.10 | 14.9 |
| 6' | 1 | 5' | 0.06 | 7.5 | 0.15 | 18.5 |
| 8' | 2 | 3' | 0.08 | 9.4 | 0.20 | 23.8 |
| 10' | 2 | 4' | 0.10 | 11.8 | 0.24 | 29.8 |
| 12' | 3 | 3' | 0.12 | 14.1 | 0.30 | 35.7 |

| GUIDELINES AND CONTROL SETTINGS (DX) | | | | | |
|--------------------------------------|----------|---------------------------------|-----------------|--------------------|------------------------------|
| BTUH/ft | | Superheat Set Point @ Bulb (°F) | Evaporator (°F) | Discharge Air (°F) | Discharge Air Velocity (FPM) |
| Conventional | Parallel | | | | |
| 718 | 653 | 8 - 10 | 24 | 30 | 150 |

| DEFROST CONTROLS | | | | | | | |
|------------------|--------------------|------------------|-----------------------|-------------------|-----------------------|-----------------|-----------------------|
| Defrosts Per Day | Run-Off Time (Min) | Electric Defrost | | Timed-Off Defrost | | Hot Gas Defrost | |
| | | Fail-Safe (Min) | Termination Temp (°F) | Fail-Safe (Min) | Termination Temp (°F) | Fail-Safe (Min) | Termination Temp (°F) |
| 6 | --- | --- | --- | 30 | 42 | --- | --- |

NOTES:

- 4' Shelf LED: 36 BTUH
- 4' Canopy LED: 72 BTUH
- 3' Shelf LED: 27 BTUH
- 3' Hi-Output LED: 54 BTUH
- Listed discharge air velocity represents the average velocity at the peak of defrost.



ENGINEERED FOR STORES WITH AMBIENT CONDITIONS NOT TO EXCEED 75° AND 55% RELATIVE HUMIDITY. DUE TO ENGINEERING IMPROVEMENTS SPECIFICATIONS MAY CHANGE WITHOUT NOTICE. ALL MEASUREMENTS ARE TAKEN PER ASHRAE-72-2005 SPECIFICATIONS. HILLPHOENIX REFRIGERATED DISPLAY CASES FOR SALE IN THE UNITED STATES MEET OR EXCEED DEPARTMENT OF ENERGY 2017 REQUIREMENTS. NUMBERS ARE BASED ON STANDARD CASE SIZES. CONSULT ENGINEERING.

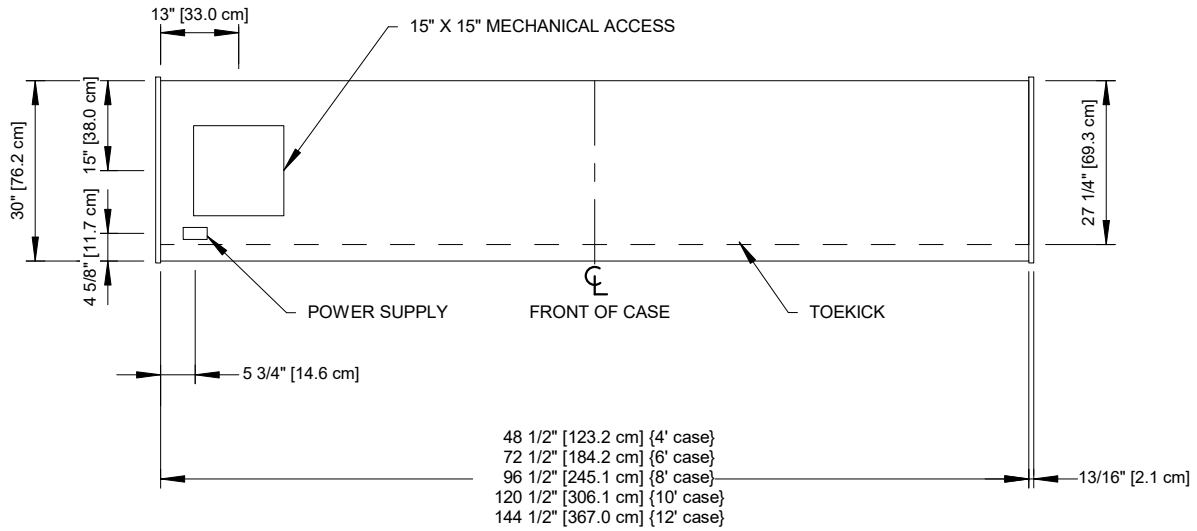
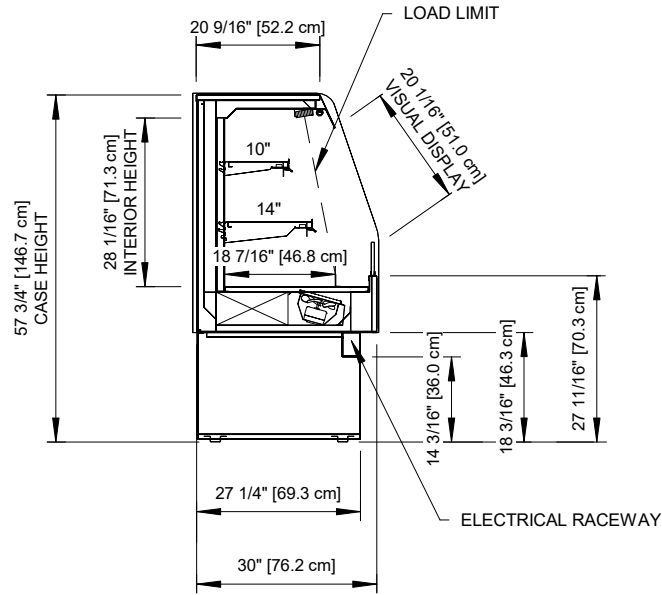
CF-R

| Rev. Date | Rev. # | Rev. Title |
|-----------|--------|---------------|
| 2-15-21 | 1 | NEW STANDARDS |



CF-R

Self-Service Open Multi-Deck Merchandiser
4', 6', 8', 10' & 12' (Bakery/Beverage/Dairy/Deli)



2017
DOE
COMPLIANT



Intertek Intertek

ENGINEERED FOR STORES WITH AMBIENT CONDITIONS NOT TO EXCEED 75° AND 55% RELATIVE HUMIDITY. DUE TO ENGINEERING IMPROVEMENTS SPECIFICATIONS MAY CHANGE WITHOUT NOTICE. ALL MEASUREMENTS ARE TAKEN PER ASHRAE-72-2005 SPECIFICATIONS. HILLPHOENIX REFRIGERATED DISPLAY CASES FOR SALE IN THE UNITED STATES MEET OR EXCEED DEPARTMENT OF ENERGY 2017 REQUIREMENTS. NUMBERS ARE BASED ON STANDARD CASE SIZES. CONSULT ENGINEERING.

CF-R

| Rev. Date | Rev. # | Rev. Title |
|-----------|--------|---------------|
| 2-15-21 | 1 | NEW STANDARDS |

Clearvoyant
LED SYSTEM

Hillphoenix

a DOVER company