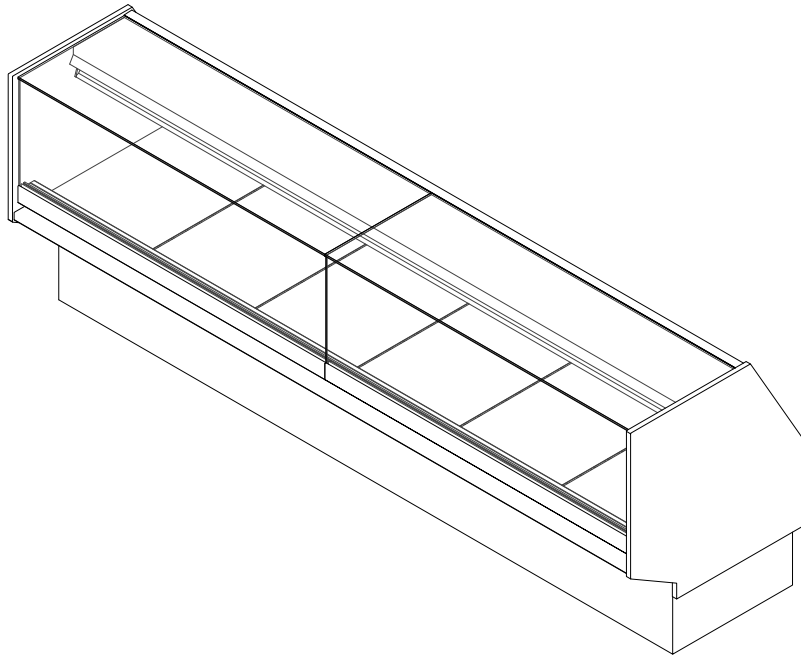


GENERAL NOTES:

- "---" Indicates that the feature is not an option on this case model and/or the data is not yet available at this time.



SHIPPING WEIGHT	
Case	Weight
GMD-RGC	---



ENGINEERED FOR STORES WITH AMBIENT CONDITIONS NOT TO EXCEED 75° AND 55% RELATIVE HUMIDITY. DUE TO ENGINEERING IMPROVEMENTS SPECIFICATIONS MAY CHANGE WITHOUT NOTICE. ALL MEASUREMENTS ARE TAKEN PER ASHRAE-72-2005 SPECIFICATIONS. HILLPHOENIX REFRIGERATED DISPLAY CASES FOR SALE IN THE UNITED STATES MEET OR EXCEED DEPARTMENT OF ENERGY 2017 REQUIREMENTS. NUMBERS ARE BASED ON STANDARD CASE SIZES. CONSULT ENGINEERING.

GMD-RGC

Rev. Date	Rev. #	Rev. Title
05-13-21	1	NEW STANDARDS



ELECTRICAL DATA									
Case Length	Fans Per Case	High Efficiency Fans		Anti-Condensate Fans		Drain Heaters		Optional Defrost Heaters	
		120 Volts		120 Volts		120 Volts		208 Volts	
		Amps	Watts	Amps	Watts	Amps	Watts	Amps	Watts
4'	2	---	---	0.52	62.4	---	---	---	---
6'	3	---	---	0.78	93.6	---	---	---	---
8'	4	---	---	1.04	124.8	---	---	---	---
10'	5	---	---	1.30	156.0	---	---	---	---
12'	6	---	---	1.56	187.2	---	---	---	---

ELECTRICAL DATA	
Remote Secondary/ Semi Self-Contained	
120 Volts	
Amps	Watts
2.00	240

LIGHTING DATA						
Case Length	Lights Per Row	Light Length	Clearvoyant 4 LED Lighting (Per Light Row)			
			Standard Power (Cornice or Shelf)		High Power (Cornice)	
			120 Volts		120 Volts	
			Amps	Watts	Amps	Watts
4'	1	4'	0.05	5.9	0.12	14.9
6'	2	3'	0.08	9.4	0.20	23.8
8'	2	4'	0.10	11.8	0.24	29.8
10'	2	5'	0.12	15.0	0.30	37.0
12'	3	4'	0.15	17.7	0.36	44.7

GUIDELINES AND CONTROL SETTINGS (REMOTE SECONDARY/SEMI SELF-CONTAINED)							
BTUH/ft		Glycol Supply Temp (°F)	DX SST Chiller Temp (°F)	Glycol Flow Rate (GPM/ft)	Glycol Charge (GAL/ft)	Glycol Max. Working Pressure (PSIG)	Max. Static Pressure (PSIG)
Conventional	Parallel						
490	485	26	20	0.45	0.27	50	---

CUT-IN/CUT-OUT		
	Cut-In Temp (°F)	Cut-Out Temp (°F)
Top Coil	36	31
Pans	33	29

DEFROST CONTROLS							
Defrosts Per Day	Run-Off Time (Min)	Electric Defrost		Timed-Off Defrost		Hot Gas Defrost	
		Fail-Safe (Min)	Termination Temp (°F)	Fail-Safe (Min)	Termination Temp (°F)	Fail-Safe (Min)	Termination Temp (°F)
1	5	---	---	50	45	---	---

NOTES:

- "—" Indicates that the feature is not an option on this case model and/or the data is not yet available at this time.
- Semi Self-Contained in NOT available in a 4' case.
- Listed data is based on the factory recommended default fresh meat temperature settings.
- Shelves are not recommended for fresh meat applications.



ENGINEERED FOR STORES WITH AMBIENT CONDITIONS NOT TO EXCEED 75° AND 55% RELATIVE HUMIDITY. DUE TO ENGINEERING IMPROVEMENTS SPECIFICATIONS MAY CHANGE WITHOUT NOTICE. ALL MEASUREMENTS ARE TAKEN PER ASHRAE-72-2005 SPECIFICATIONS. HILLPHOENIX REFRIGERATED DISPLAY CASES FOR SALE IN THE UNITED STATES MEET OR EXCEED DEPARTMENT OF ENERGY 2017 REQUIREMENTS. NUMBERS ARE BASED ON STANDARD CASE SIZES. CONSULT ENGINEERING.

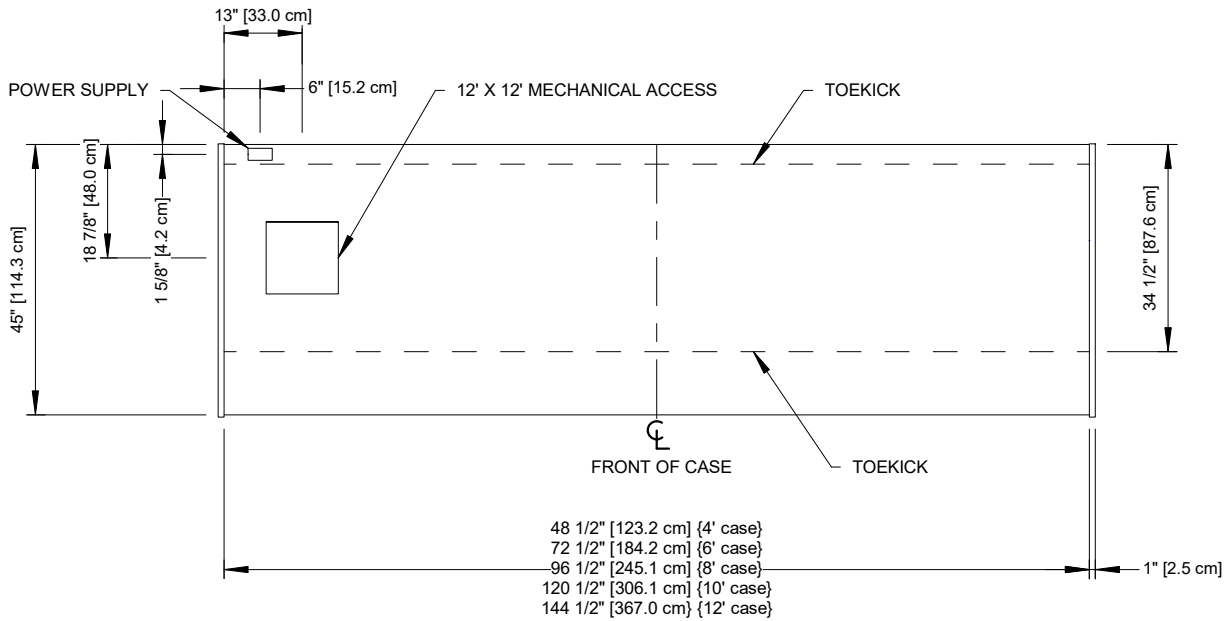
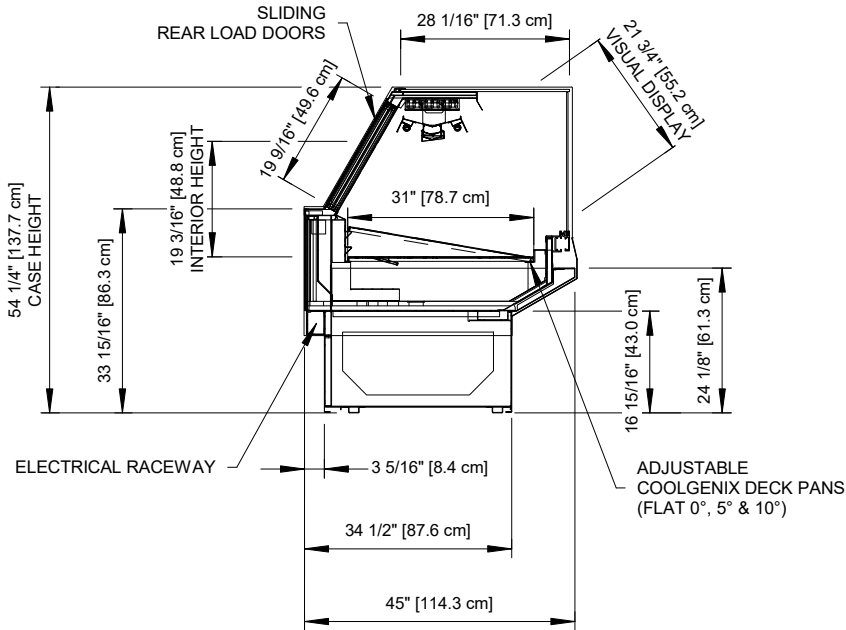
GMD-RGC

Rev. Date	Rev. #	Rev. Title
05-13-21	1	NEW STANDARDS



GMD-RGC

Service Multi-Deck Merchandiser w/ Flat Swing-Out Display
4', 6', 8', 10' & 12' (Meat/Seafood)



2017
DOE
COMPLIANT



Intertek Intertek

ENGINEERED FOR STORES WITH AMBIENT CONDITIONS NOT TO EXCEED 75° AND 55% RELATIVE HUMIDITY. DUE TO ENGINEERING IMPROVEMENTS SPECIFICATIONS MAY CHANGE WITHOUT NOTICE. ALL MEASUREMENTS ARE TAKEN PER ASHRAE-72-2005 SPECIFICATIONS. HILLPHOENIX REFRIGERATED DISPLAY CASES FOR SALE IN THE UNITED STATES MEET OR EXCEED DEPARTMENT OF ENERGY 2017 REQUIREMENTS. NUMBERS ARE BASED ON STANDARD CASE SIZES. CONSULT ENGINEERING.

GMD-RGC

Rev. Date	Rev. #	Rev. Title
05-13-21	1	NEW STANDARDS

Coolgenix 20 Clearvoyant LED SYSTEM

Hillphoenix

a DOVER company