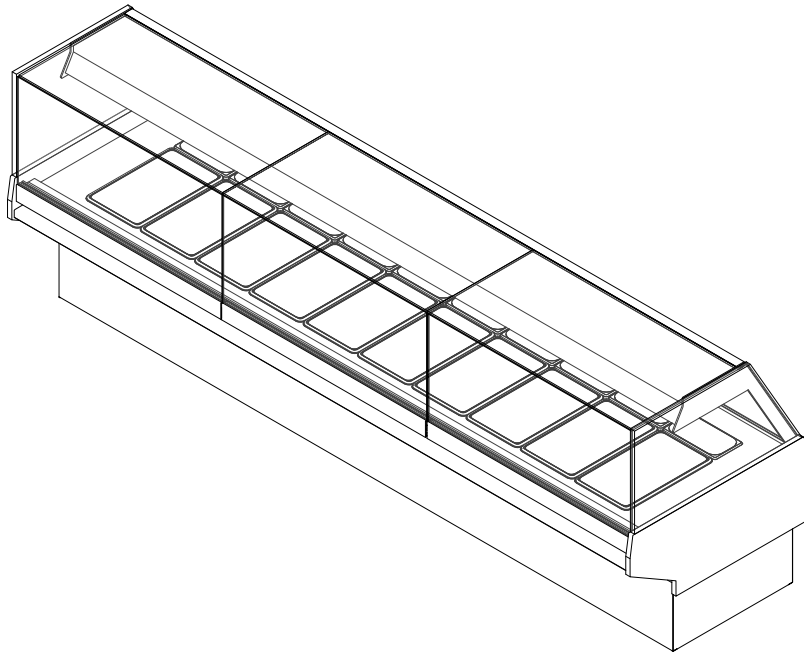


GENERAL NOTES:

- "---" Indicates that the feature is not an option on this case model and/or the data is not yet available at this time.
- 48 1/2"H case model fits the SMD profile. (optional)
- 50 1/2"H case model fits the SSD profile.



SHIPPING WEIGHT	
Case	Weight
GMD-H	---



ENGINEERED FOR STORES WITH AMBIENT CONDITIONS NOT TO EXCEED 75° AND 55% RELATIVE HUMIDITY. DUE TO ENGINEERING IMPROVEMENTS SPECIFICATIONS MAY CHANGE WITHOUT NOTICE. ALL MEASUREMENTS ARE TAKEN PER ASHRAE-72-2005 SPECIFICATIONS. NUMBERS ARE BASED ON STANDARD CASE SIZES. CONSULT ENGINEERING.

GMD-H

Rev. Date	Rev. #	Rev. Title
05-17-21	3	NAME UPDATE
03-11-21	2	LOGO UPDATE

SERVICE DATA											
Case Length	Top Heaters		Bottom Heaters		Lights		Shelves		Total Amps (208-3-60)		
	Qty	Watts (Each)	Qty	Watts (Each)	Qty	Watts (Each)	Qty	Watts (Each)	L1	L2	L3
4'	3	400	2	600	2	100	---	---	11.52	7.20	5.88
6'	4	400	3	600	3	100	---	---	10.58	12.49	12.23
8'	6	400	4	600	4	100	---	---	17.28	17.28	15.09
10'	7	400	5	600	5	100	---	---	20.16	20.72	19.20
12'	8	400	6	600	6	100	---	---	26.73	23.12	26.00

ELECTRICAL DATA			
Case Length	Fans Per Case	Control Fans	
		208 Volts	
		Amps	Watts
4'	2	0.06	14.0
6'	3	0.09	21.0
8'	4	0.12	28.0
10'	4	0.12	28.0
12'	5	0.15	35.0

LIGHTING DATA				
Case Length	Lights Per Row	Light Length	Incandescent Lighting (Per Light Row)	
			Amps	Watts
4'	2	---	0.96	200
6'	3	---	1.44	300
8'	4	---	1.92	400
10'	5	---	2.40	500
12'	6	---	2.88	600

NOTES:

- "----" Indicates that the feature is not an option on this case model and/or the data is not yet available at this time.



ENGINEERED FOR STORES WITH AMBIENT CONDITIONS NOT TO EXCEED 75° AND 55% RELATIVE HUMIDITY. DUE TO ENGINEERING IMPROVEMENTS SPECIFICATIONS MAY CHANGE WITHOUT NOTICE. ALL MEASUREMENTS ARE TAKEN PER ASHRAE-72-2005 SPECIFICATIONS. NUMBERS ARE BASED ON STANDARD CASE SIZES. CONSULT ENGINEERING.

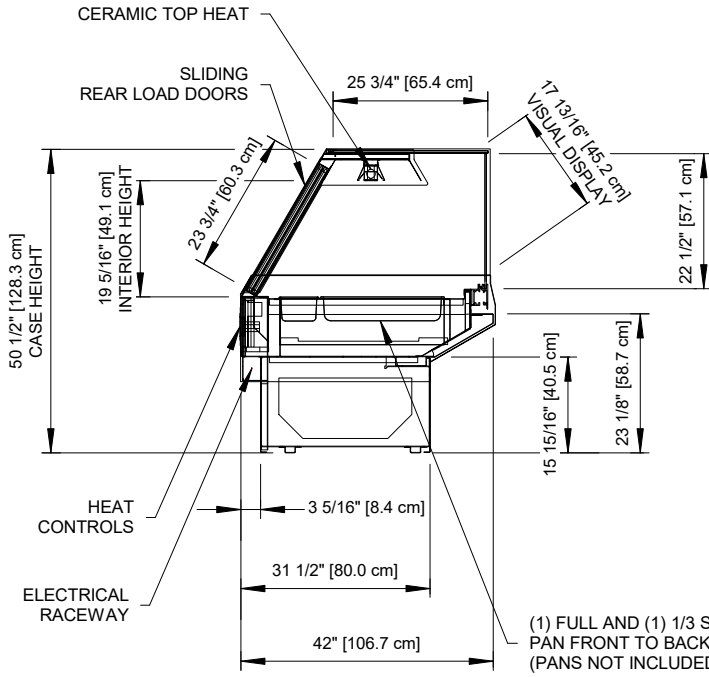
GMD-H

Rev. Date	Rev. #	Rev. Title
05-17-21	3	NAME UPDATE
03-11-21	2	LOGO UPDATE

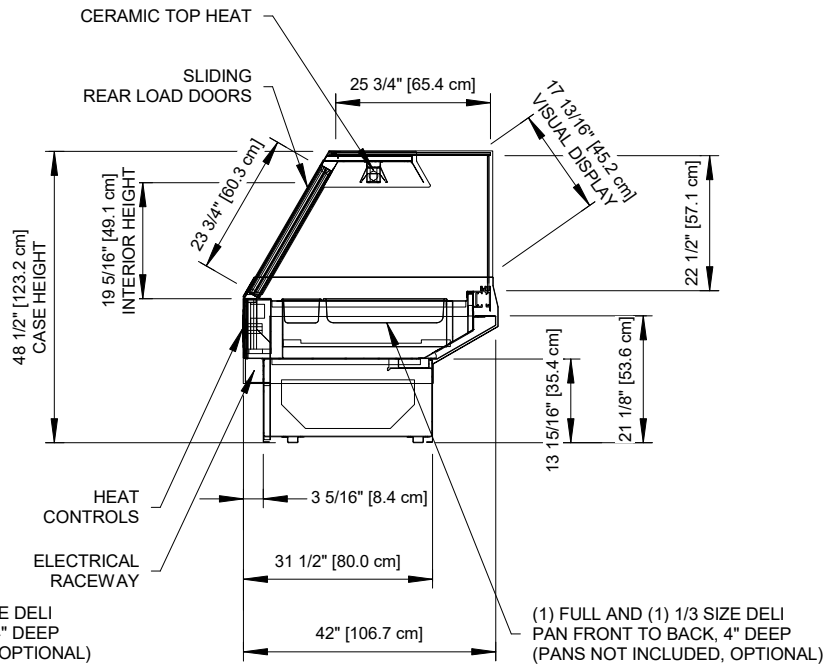


GMD-H

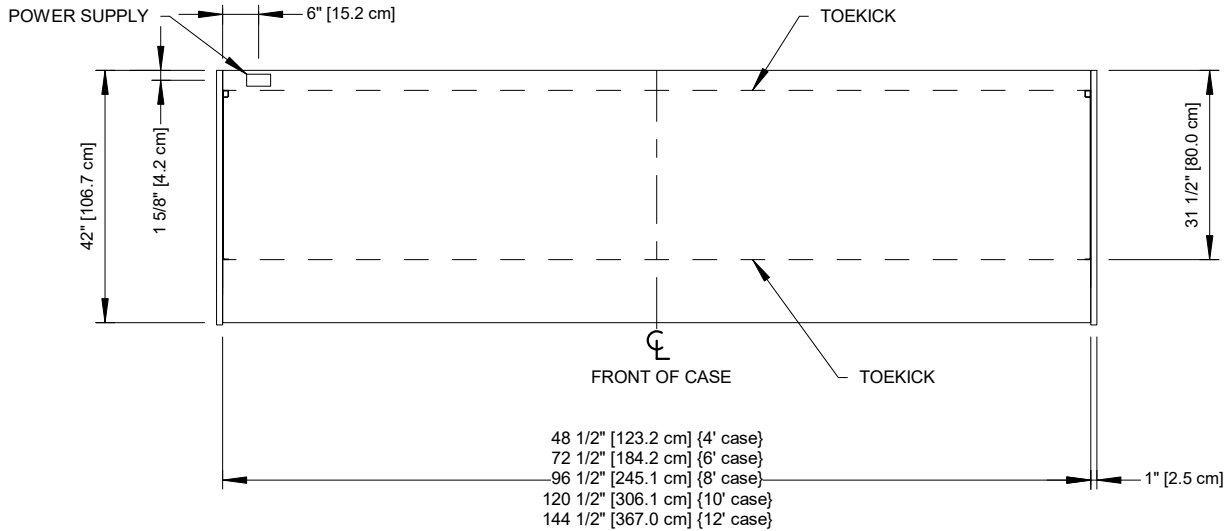
Service Single-Deck Merchandiser w/ Flat Swing-Out Glass
4', 6', 8', 10' & 12' (Deli)



SSD PROFILE



SMD PROFILE (OPTIONAL)



ENGINEERED FOR STORES WITH AMBIENT CONDITIONS NOT TO EXCEED 75° AND 55% RELATIVE HUMIDITY. DUE TO ENGINEERING IMPROVEMENTS SPECIFICATIONS MAY CHANGE WITHOUT NOTICE. ALL MEASUREMENTS ARE TAKEN PER ASHRAE-72-2005 SPECIFICATIONS. NUMBERS ARE BASED ON STANDARD CASE SIZES. CONSULT ENGINEERING.

GMD-H

Rev. Date	Rev. #	Rev. Title
05-17-21	3	NAME UPDATE
03-11-21	2	LOGO UPDATE

