

Hillphoenix

a **DOVER** company

GSD-R

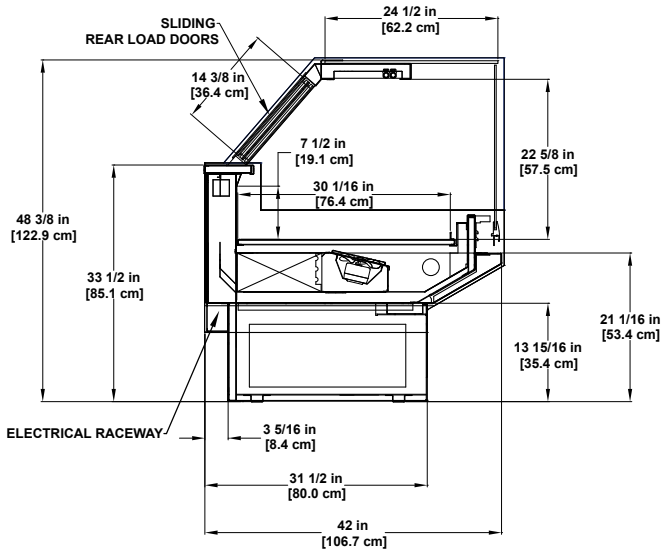
Service Single-Deck

Refrigerated merchandiser with slide vertical glass for deli and bakery.



Photo may depict options not included on standard models.

Model GSD-R Service Single-Deck



Please consult Hillphoenix Engineering Reference Manual for dimensions, plan views and technical specifications. Specifications subject to change without notice. Designed for optional performance in store environments where temperature and humidity do not exceed 75 degrees and 55% R.H. Certified to UL 471 and ANSI/NSF Standard 7.

Base Model Features

- Available in 4', 6', 8', 10', and 12' lengths.
- 50-3/8"H & 42"D.
- Sled runner base construction.
- 60 degree dieboard.
- Painted metal exterior.
- 15-15/16"H base painted metal to match exterior.
- Stainless steel exterior trim.
- 3/8" glass case top.
- Stainless steel outside back and rear work ledge.
- Removable, clear plexiglas rear load doors with rear mounted hangers for storage.
- 1/4" single-pane, regular-glare vertical slide front glass.
- Black painted metal interior.
- Clearvoyant LED top light.
- Rear electrical raceway.
- Energy efficient fans.
- Remote DX refrigeration package.

Available Options

- Available in 4', 6', 8', 10' and 12' lengths.
- Mirror polish stainless steel, thermal glass divider or glass ends.
- Alternate toekick height 13-5/16"H.
- Exterior standard grade laminate.
- ISO outlet.
- Interior or exterior stainless steel finish.
- Cart bumper.
- Removable plexiglas rear sliding doors.
- Cube flip up glass hardware.
- Polytop, solid surface or stainless steel flip-up work tops.
- Integrated case top scale stand with dedicated circuit for ISO receptacle.
- Adjustable scale stand.
- Alternative case thermometer.
- Remote glycol or CO₂ refrigeration packages.



Dover Food Retail
Conyers, GA USA
844.591.5937
hillphoenix.com

©2018 Hillphoenix, Inc.

Hillphoenix
a DOVER company