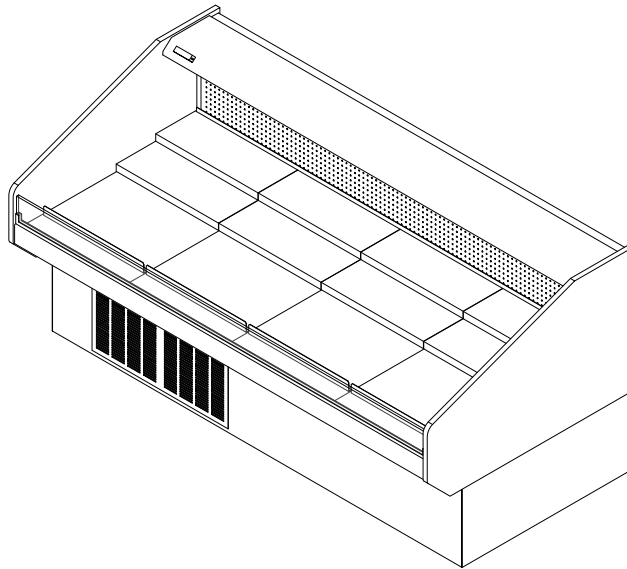


HSC-SC

Self-Service Open Single-Deck Enclosed Base Mobile Merchandiser
2', 4', 6' & 8' (Bakery/Beverage/Cheese/Deli/Meat/Produce)

GENERAL NOTES:

- "---" Indicates that the feature is not an option on this case model and/or the data is not yet available at this time.



SHIPPING WEIGHT	
Case	Weight
HSC-SC	---



ENGINEERED FOR STORES WITH AMBIENT CONDITIONS NOT TO EXCEED 75° AND 55% RELATIVE HUMIDITY. DUE TO ENGINEERING IMPROVEMENTS SPECIFICATIONS MAY CHANGE WITHOUT NOTICE. ALL MEASUREMENTS ARE TAKEN PER ASHRAE-72-2005 SPECIFICATIONS. HILLPHOENIX REFRIGERATED DISPLAY CASES FOR SALE IN THE UNITED STATES MEET OR EXCEED DEPARTMENT OF ENERGY 2017 REQUIREMENTS. NUMBERS ARE BASED ON STANDARD CASE SIZES. CONSULT ENGINEERING.

HSC-SC

Rev. Date	Rev. #	Rev. Title
06-15-20	1	NEW STANDARDS



A DOVER COMPANY

SYSTEM REQUIREMENTS					
Case Length	Volts	Phase	Total Amps	Minimum Circuit Ampacity	Maximum Overcurrent Protection
2'	120	1	12.47	15.60	28
4'	120	1	12.69	15.90	29
6'	120	1	20.02	25.0	45
8'	120/208	1	15.60	19.40	35

ELECTRICAL DATA												
Case Length	Fans Per Case	High Efficiency Fans		Anti-Condensate Fans		Drain Pumps		Evaporator Pan Heaters			Auxiliary Fans	
		120 Volts		120 Volts		120 Volts		Volts	Amps	Watts	120 Volts	
		Amps	Watts	Amps	Watts	Amps	Watts				Amps	Watts
2'	1	0.30	36.0	---	---	---	---	120	5.00	600.0	---	---
4'	2	0.60	72.0	---	---	---	---	120	5.00	600.0	---	---
6'	2	0.60	72.0	---	---	---	---	120	8.30	1000.0	---	---
8'	3	0.90	108.0	---	---	---	---	208	4.20	1500.0	---	---

LIGHTING DATA						
Case Length	Lights Per Row	Light Length	Clearvoyant 4 LED Lighting (Per Light Row)			
			Standard Power (Cornice or Shelf)		High Power (Cornice)	
			120 Volts		120 Volts	
			Amps	Watts	Amps	Watts
2'	1	2'	0.03	3.1	0.06	7.8
4'	1	4'	0.05	5.9	0.12	14.9
6'	2	3'	0.08	9.4	0.20	23.8
8'	2	4'	0.10	11.8	0.24	29.8

GUIDELINES AND CONTROL SETTINGS				
24hr Energy Usage (kWh/ft)	Suction Temperature @ Case Outlet (°F)	Superheat Set Point @ Bulb (°F)	Discharge Air (°F)	Discharge Air Velocity (FPM)
---	+20	10 - 12	32 - 36	220

NOTES:

- "----" Indicates that the feature is not an option on this case model and/or the data is not yet available at this time.
- Listed discharge air velocity represents the average velocity at the peak of defrost.
- RLA - Running Load Amps
- LRA - Locked Rotor Amps



ENGINEERED FOR STORES WITH AMBIENT CONDITIONS NOT TO EXCEED 75° AND 55% RELATIVE HUMIDITY. DUE TO ENGINEERING IMPROVEMENTS SPECIFICATIONS MAY CHANGE WITHOUT NOTICE. ALL MEASUREMENTS ARE TAKEN PER ASHRAE-72-2005 SPECIFICATIONS. HILLPHOENIX REFRIGERATED DISPLAY CASES FOR SALE IN THE UNITED STATES MEET OR EXCEED DEPARTMENT OF ENERGY 2017 REQUIREMENTS. NUMBERS ARE BASED ON STANDARD CASE SIZES. CONSULT ENGINEERING.

HSC-SC

Rev. Date	Rev. #	Rev. Title
06-15-20	1	NEW STANDARDS



HSC-SC

Self-Service Open Single-Deck Enclosed Base Mobile Merchandiser
2', 4', 6' & 8' (Bakery/Beverage/Cheese/Deli/Meat/Produce)

CONDENSING UNIT DATA									
Case Length	Volts	Phase	HP	RLA (Amps)	LRA (Amps)	Refrig.	Condenser Fans		Lbs. of Refrig.
							Amps	Watts	
2'	115	1	1/3	6.50	29.00	404a	0.53	61.0	1.8
4'	115	1	1/2	6.30	33.60	404a	1.40	61.0	2.8
6'	115	1	3/4	9.00	70.00	404a	1.70	170.0	3.8
8'	208	1	1	5.90	40.00	404a	0.95	135.0	4.5 - 4.7

DEFROST CONTROLS									
Case Length	Defrosts Per Day	Run-Off Time (Min)	Electric Defrost		Timed-Off Defrost		Hot Gas Defrost		
			Fail-Safe (Min)	Termination Temp (°F)	Fail Safe (Min)	Termination Temp (°F)	Fail-Safe (Min)	Termination Temp (°F)	
2'	4	---	---	---	45	42	---	---	
4'	4	---	---	---	45	42	---	---	
6'	4	---	---	---	45	42	---	---	
8'	4	---	---	---	45	45	---	---	



ENGINEERED FOR STORES WITH AMBIENT CONDITIONS NOT TO EXCEED 75° AND 55% RELATIVE HUMIDITY. DUE TO ENGINEERING IMPROVEMENTS SPECIFICATIONS MAY CHANGE WITHOUT NOTICE. ALL MEASUREMENTS ARE TAKEN PER ASHRAE-72-2005 SPECIFICATIONS. HILLPHOENIX REFRIGERATED DISPLAY CASES FOR SALE IN THE UNITED STATES MEET OR EXCEED DEPARTMENT OF ENERGY 2017 REQUIREMENTS. NUMBERS ARE BASED ON STANDARD CASE SIZES. CONSULT ENGINEERING.

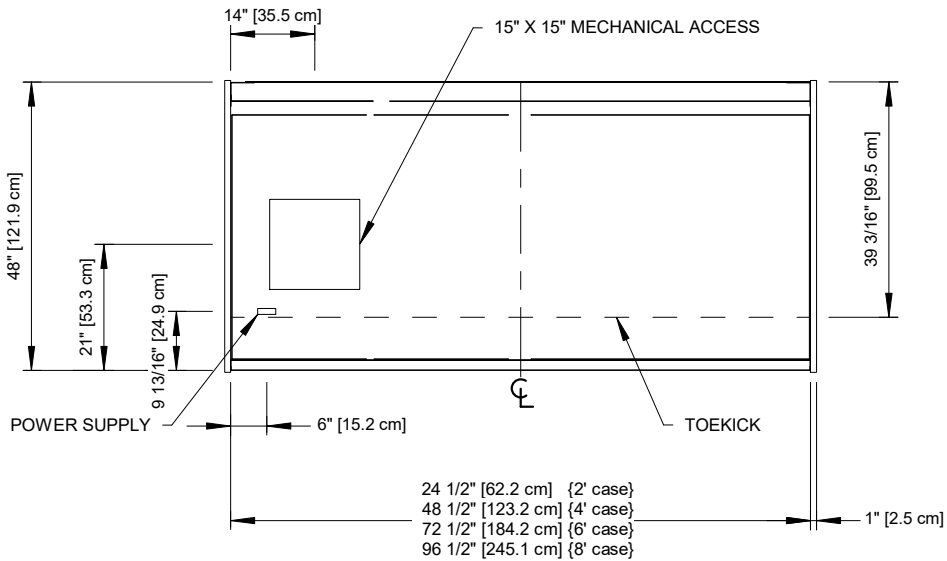
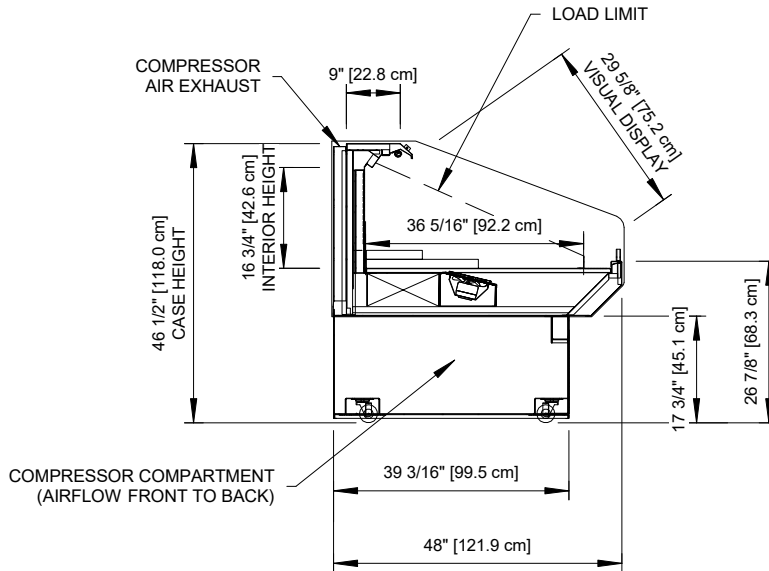
HSC-SC

Rev. Date	Rev. #	Rev. Title
06-15-20	1	NEW STANDARDS



HSC-SC

Self-Service Open Single-Deck Base Mobile Merchandiser 2', 4', 6' & 8' (Bakery/Beverage/Cheese/Deli/Meat/Produce)



Intertek

Intertek

ENGINEERED FOR STORES WITH AMBIENT CONDITIONS NOT TO EXCEED 75° AND 55% RELATIVE HUMIDITY. DUE TO ENGINEERING IMPROVEMENTS SPECIFICATIONS MAY CHANGE WITHOUT NOTICE. ALL MEASUREMENTS ARE TAKEN PER ASHRAE-72-2005 SPECIFICATIONS. HILLPHOENIX REFRIGERATED DISPLAY CASES FOR SALE IN THE UNITED STATES MEET OR EXCEED DEPARTMENT OF ENERGY 2017 REQUIREMENTS. NUMBERS ARE BASED ON STANDARD CASE SIZES. CONSULT ENGINEERING.

HSC-SC

Rev. Date	Rev. #	Rev. Title
06-15-20	1	NEW STANDARDS



Hillphoenix

A DOVER COMPANY