

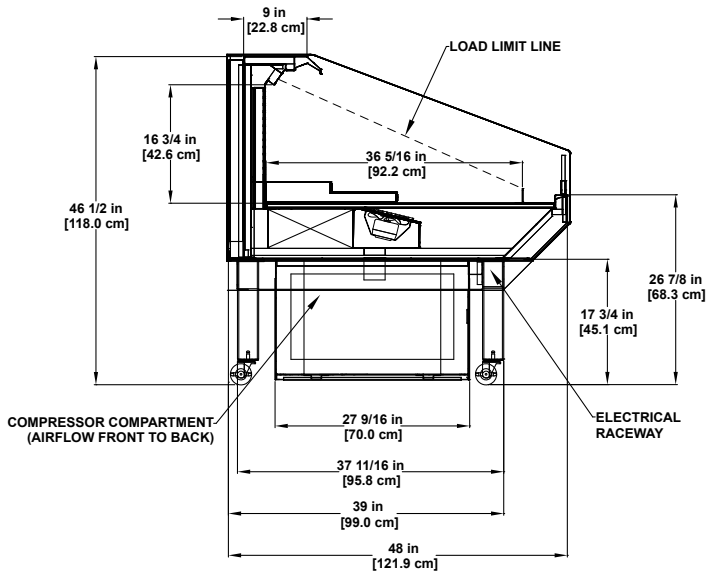
# Self-Service Single-Deck

Mobile refrigerated merchandiser for produce, deli, bakery or beverages.



Photo may depict options not included on standard models.

Model HSO  
Self-Service Single-Deck



Please consult Hillphoenix Engineering Reference Manual for dimensions, plan views and technical specifications. Specifications subject to change without notice. Designed for optional performance in store environments where temperature and humidity do not exceed 75 degrees and 55% R.H. Certified to UL 471 and ANSI/NSF Standard 7.

### Base Model Features

- Open base.
- Painted metal exterior and interior.
- Stainless steel trim.
- Adjustable, angled or flat bottom deck
- Casters.
- Solar digital thermometer.
- Conforms to UL Standard 471, NSF Standard 7 and CAN/CSA C22.2.

### Self-Contained

- Electric condensate dissipater.
- Automatic defrost.
- Back to front condenser air flow.

### Available Options

- Mirror polish stainless steel, glass, thermal glass divider or laminate ends.
- Interior and exterior brass trim.
- Exterior standard grade laminate.
- Exterior and interior stainless steel finish.
- Cart bumper.
- Color accent band.
- Mirror polish stainless steel inside back.
- Curved Plexiglas dieboard.
- Metal adjustable mezzanine shelf.
- Under shelf lighting.
- LED lighting.
- 6" high step riser.
- Alternative case thermometer.
- Electronic temperature sensors.
- Liquid line ball valve.
- Suction line solenoid.
- Energy efficient fans.
- Extended compressor warranty.



Dover Food Retail  
Conyers, GA USA  
844.591.5937  
hillphoenix.com

©2018 Hillphoenix, Inc.



an Intertek company