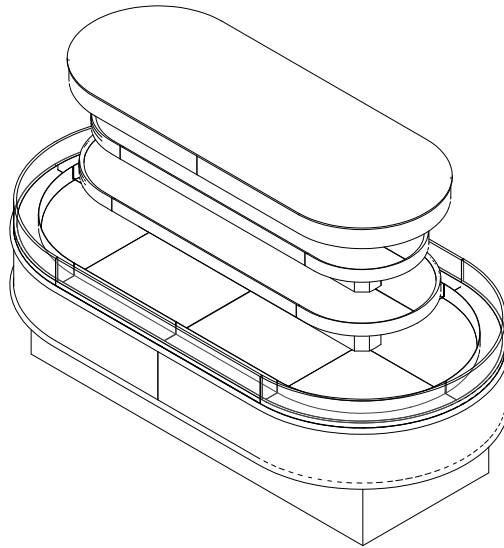


HVI-3-406R/408R

Self-Service Open Multi-Deck Island Merchandiser
406 & 408 (Bakery/Beverage/Deli/Produce)

GENERAL NOTES:

- "---" Indicates that the feature is not an option on this case model and/or the data is not yet available at this time.
- (SFC) Small Format Channel offering is wired for undershelf lighting.



SHIPPING WEIGHT	
Case	Weight
HVI-3-406R/408R	---



ENGINEERED FOR STORES WITH AMBIENT CONDITIONS NOT TO EXCEED 75° AND 55% RELATIVE HUMIDITY. DUE TO ENGINEERING IMPROVEMENTS SPECIFICATIONS MAY CHANGE WITHOUT NOTICE. ALL MEASUREMENTS ARE TAKEN PER ASHRAE-72-2005 SPECIFICATIONS. HILLPHOENIX REFRIGERATED DISPLAY CASES FOR SALE IN THE UNITED STATES MEET OR EXCEED DEPARTMENT OF ENERGY 2017 REQUIREMENTS. NUMBERS ARE BASED ON STANDARD CASE SIZES. CONSULT ENGINEERING.

HVI-3-406R/408R

Rev. Date	Rev. #	Rev. Title
05-14-20	2	DATA UPDATE
04-08-19	1	NEW STANDARDS



A DOVER COMPANY

HVI-3-406R/408R

Self-Service Open Multi-Deck Island Merchandiser
406 & 408 (Bakery/Beverage/Deli/Produce)

ELECTRICAL DATA									
Case Length	Fans Per Case	High Efficiency Fans		Anti-Condensate Fans		Drain Heaters		Optional Defrost Heaters	
		120 Volts		120 Volts		120 Volts		208 Volts	
		Amps	Watts	Amps	Watts	Amps	Watts	Amps	Watts
406	4	1.2	1.44	---	---	---	---	---	---
408	6	1.8	2.16	---	---	---	---	---	---

LIGHTING DATA							
Case Length	Light Length (Lights Per Row)	Clearvoyant 4 LED Lighting (Per Light Row)			Clearvoyant 4 LED Lighting (Per Light Row)		
		Standard Power (Cornice)			Standard Power (Shelf)		
		120 Volts			120 Volts		
		Amps	Watts	Light Length (Lights Per Row)	Amps	Watts	Light Length (Lights Per Row)
406	(4) 6" + (4) 12" + (2) 24"	0.18	17.9	(6) 6" + (2) 24"	0.12	12.5	
408	(4) 6" + (4) 12" + (4) 24"	0.22	21.6	(6) 6" + (4) 24"	0.16	16.2	

GUIDELINES AND CONTROL SETTINGS (DX)						
Case Length	BTUH/ft		Superheat Set Point @ Bulb (°F)	Evaporator (°F)	Discharge Air (°F)	Discharge Air Velocity (FPM)
	Conventional	Parallel				
406	10746	9876	10 - 13	20	36	150
408	13755	12641	10 - 13	20	36	150

DEFROST CONTROLS							
Defrosts Per Day	Run-Off Time (Min)	Electric Defrost		Timed-Off Defrost		Hot Gas Defrost	
		Fail-Safe (Min)	Termination Temp (°F)	Fail-Safe (Min)	Termination Temp (°F)	Fail-Safe (Min)	Termination Temp (°F)
6	---	---	---	30	46	---	---

NOTES:

- "---" Indicates that the feature is not an option on this case model and/or the data is not yet available at this time.
- Listed discharge air velocity represents the average velocity at the peak of defrost.
- The HVI-3-406R was tested with rounded corners and no shelf lights in 2013.
- The HVI-3-408R data is preliminary.



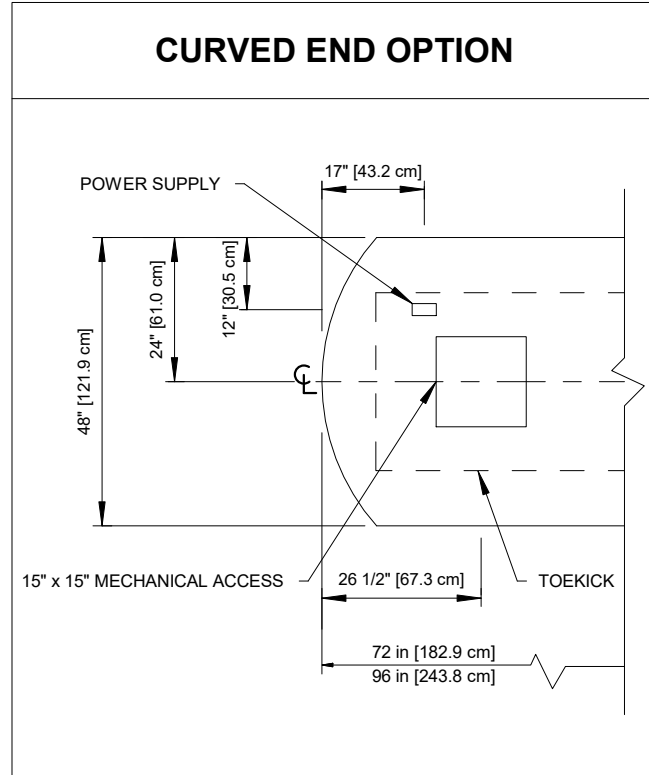
ENGINEERED FOR STORES WITH AMBIENT CONDITIONS NOT TO EXCEED 75° AND 55% RELATIVE HUMIDITY. DUE TO ENGINEERING IMPROVEMENTS SPECIFICATIONS MAY CHANGE WITHOUT NOTICE. ALL MEASUREMENTS ARE TAKEN PER ASHRAE-72-2005 SPECIFICATIONS. HILLPHOENIX REFRIGERATED DISPLAY CASES FOR SALE IN THE UNITED STATES MEET OR EXCEED DEPARTMENT OF ENERGY 2017 REQUIREMENTS. NUMBERS ARE BASED ON STANDARD CASE SIZES. CONSULT ENGINEERING.

HVI-3-406R/408R

Rev. Date	Rev. #	Rev. Title
05-14-20	2	DATA UPDATE
04-08-19	1	NEW STANDARDS



A DOVER COMPANY



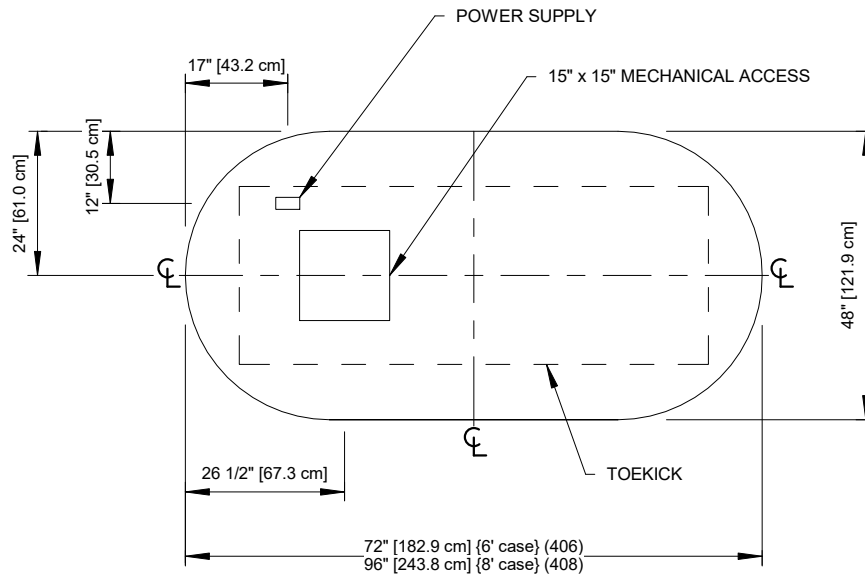
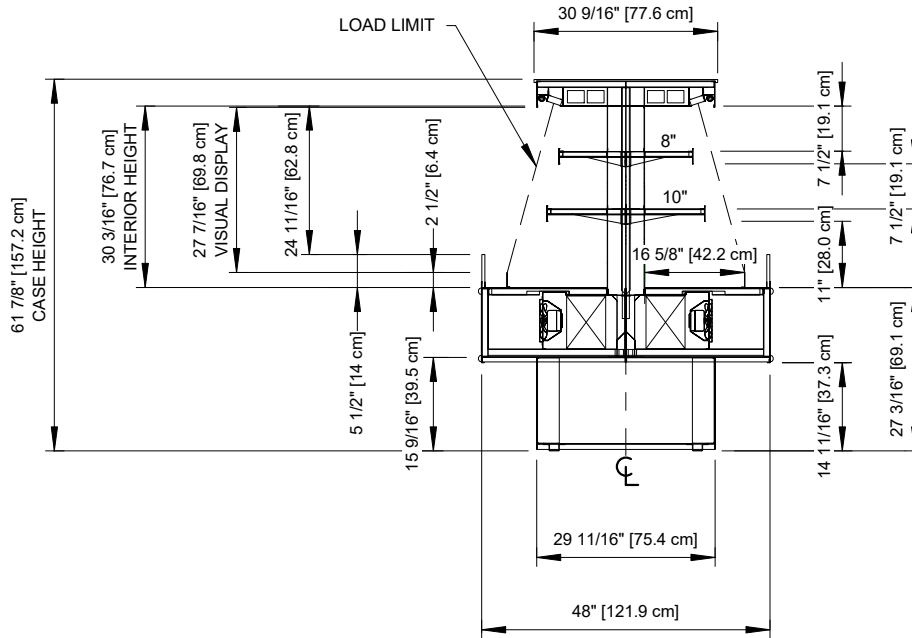
ENGINEERED FOR STORES WITH AMBIENT CONDITIONS NOT TO EXCEED 75° AND 55% RELATIVE HUMIDITY. DUE TO ENGINEERING IMPROVEMENTS SPECIFICATIONS MAY CHANGE WITHOUT NOTICE. ALL MEASUREMENTS ARE TAKEN PER ASHRAE-72-2005 SPECIFICATIONS. HILLPHOENIX REFRIGERATED DISPLAY CASES FOR SALE IN THE UNITED STATES MEET OR EXCEED DEPARTMENT OF ENERGY 2017 REQUIREMENTS. NUMBERS ARE BASED ON STANDARD CASE SIZES. CONSULT ENGINEERING.

HVI-3-406R/408R

Rev. Date	Rev. #	Rev. Title
05-14-20	2	DATA UPDATE
04-08-19	1	NEW STANDARDS



A DOVER COMPANY



NOTES:

- Shown with radius ends.



ENGINEERED FOR STORES WITH AMBIENT CONDITIONS NOT TO EXCEED 75° AND 55% RELATIVE HUMIDITY. DUE TO ENGINEERING IMPROVEMENTS SPECIFICATIONS MAY CHANGE WITHOUT NOTICE. ALL MEASUREMENTS ARE TAKEN PER ASHRAE-72-2005 SPECIFICATIONS. HILLPHOENIX REFRIGERATED DISPLAY CASES FOR SALE IN THE UNITED STATES MEET OR EXCEED DEPARTMENT OF ENERGY 2017 REQUIREMENTS. NUMBERS ARE BASED ON STANDARD CASE SIZES. CONSULT ENGINEERING.

HVI-3-406R/408R

Rev. Date	Rev. #	Rev. Title
05-14-20	2	DATA UPDATE
04-08-19	1	NEW STANDARDS

