

GENERAL NOTES:

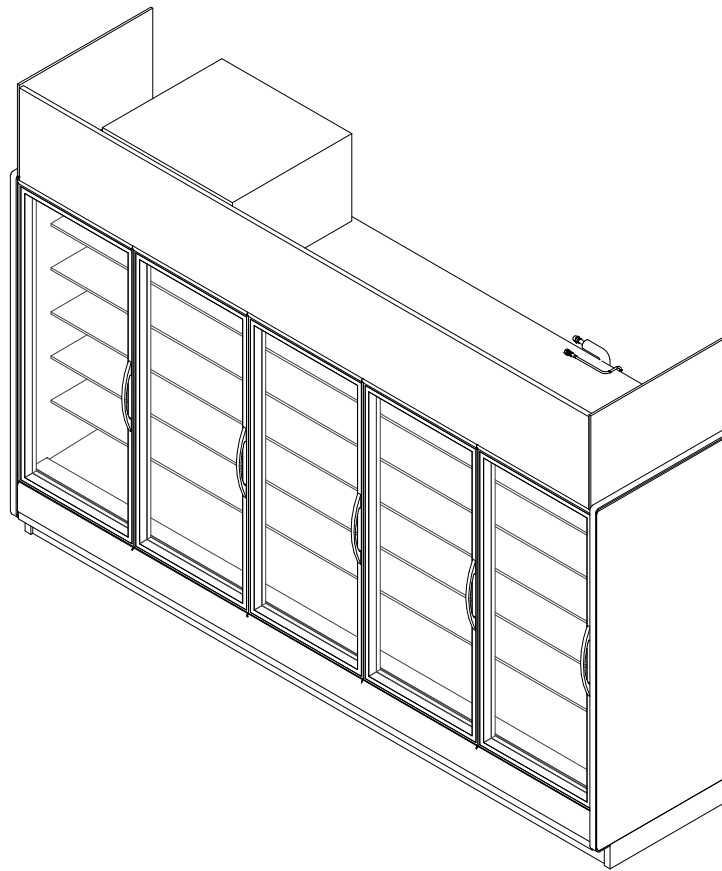
- Lighting Controls and Anti Sweat Heat Controls are Required
- Option 1: OEM Provided:

Occupancy Sensor Based Lighting Controls (On/Off) & Hillphoenix provided embedded Anti Sweat Controls are standard, unless otherwise specified

- Option 2: End User Provided:

Lighting Controls should be Occupancy Sensor Based or on a minimum 8 Hour Off Schedule. Customer provided A/S Heat Controls should be set to 30% minimum off time at 75°F/55%RH

- 2,3,4, & 5 door case lengths are available in 208V R404A / R448A Condensing Unit Configuration



SHIPPING WEIGHT	
Case	Weight
JNRZHSA	---



COMPONENT

ALL MEASUREMENTS ARE TAKEN PER ASHRAE-72-2005 SPECIFICATIONS. HILLPHOENIX REFRIGERATED DISPLAY CASES FOR SALE IN THE UNITED STATES MEET OR EXCEED DEPARTMENT OF ENERGY 2017 REQUIREMENTS.

JNRZHSA

Rev. Date	Rev. #	Rev. Title
10-17-19	7	ENDVIEW UPDATE
9-12-19	6	DATA UPDATE

JNRZHSA (R404A)

High Narrow Reach-In Self Contained Merchandiser
2, 3, 4 & 5 Door (Frozen Food)

SYSTEM REQUIREMENT (R404A)					
Case Length	Volts	Phase	Frequency	Minimum Circuit Ampacity (MCA)	Maximum Overcurrent Protection (MOP)
2 Door	208	1	60	24.1	30.0
3 Door	208	1	60	24.9	30.0
4 Door	208	1	60	29.8	30.0
5 Door	208	1	60	30.0	30.0

GUIDELINES AND CONTROL SETTINGS (R404A)				
Case Length	Superheat Set Point @ Bulb (°F)	Set Point Differential (F)	Discharge Air (°F)	Discharge Air Velocity (FPM)
2 Door	3 - 5	6	- 9	300
3 Door	3 - 5	6	- 9	300
4 Door	3 - 5	6	- 9	300
5 Door	3 - 5	6	- 9	300

CONDENSING UNIT DATA (R404A)								
Case Length	Volts	Phase	Frequency	Horsepower	Running Load Amps (RLA) (Amps)	Locked Rotor Amps (LRA) (Amps)	Refrigerant	Lbs. of Refrigerant
2 Door	208	1	60	3/4	9.0	43.0	R404A	2.8
3 Door	208	1	60	1	9.3	46.0	R404A	3.4
4 Door	208	1	60	1 1/4	12.6	55.0	R404A	3.7
5 Door	208	1	60	2	12.0	56.0	R404A	6.2

DEFROST CONTROLS (R404A)			
Defrosts Per Day	Electric Defrost		
	Run Off Time (Min) Electric	Fail-Safe (Min)	Termination Temp (°F)
1	0	46	48

DEFROST SCHEDULE (R404A)	
Defrosts Per Day	Time
1	12 midnight

NOTES:

- "---" indicates that this feature is not an option on this case model.
- Listed discharge air velocity represents the average velocity at the peak of defrost.
- Temperature and defrost settings listed below are recommended start-up settings. Final operational settings may need to be adjusted for the store conditions in which the case operates.
- The recommended evaporator temperatures may need to be adjusted based on system setup, store conditions, etc. The minimum recommended evaporator temperature is 4°F below the listed evaporator temperature.
- The 24 Hour Energy Value is based upon AHRI 1200 test conditions with Hillphoenix provided Lights, occupancy sensor based (on/off) lighting control and dew point based anti sweat heat controller.



ALL MEASUREMENTS ARE TAKEN PER ASHRAE-72-2005 SPECIFICATIONS. HILLPHOENIX REFRIGERATED DISPLAY CASES FOR SALE IN THE UNITED STATES MEET OR EXCEED DEPARTMENT OF ENERGY 2017 REQUIREMENTS.

JNRZHSA (R404A)

Rev. Date	Rev. #	Rev. Title
10-17-19	7	ENDVIEW UPDATE
9-12-19	6	DATA UPDATE

Hillphoenix
A DOVER COMPANY

JNRZHSA (R448A)

High Narrow Reach-In Self Contained Merchandiser
2, 3, 4 & 5 Door (Frozen Food)

SYSTEM REQUIREMENT (R448A)					
Case Length	Volts	Phase	Frequency	Minimum Circuit Ampacity (MCA)	Maximum Overcurrent Protection (MOP)
2 Door	208	1	60	20.9	25.0
3 Door	208	1	60	21.3	25.0
4 Door	208	1	60	25.4	30.0
5 Door	208	1	60	28.8	30.0

GUIDELINES AND CONTROL SETTINGS (R448A)				
Case Length	Superheat Set Point @ Bulb (°F)	Set Point Differential (°F)	Discharge Air (°F)	Discharge Air Velocity (FPM)
2 Door	3 - 5	4	-9	300
3 Door	3 - 5	4	-9	300
4 Door	3 - 5	4	-9	300
5 Door	3 - 5	4	-9	300

CONDENSING UNIT DATA (R448A)								
Case Length	Volts	Phase	Frequency	Horsepower	Running Load Amps (RLA) (Amps)	Locked Rotor Amps (LRA) (Amps)	Refrigerant	Lbs. of Refrigerant
2 Door	208	1	60	1	6.5	40.0	R448A	4.0
3 Door	208	1	60	1	6.5	40.0	R448A	4.0
4 Door	208	1	60	2 1/4	9.1	74.0	R448A	4.0
5 Door	208	1	60	2 1/4	9.1	74.0	R448A	4.0

DEFROST CONTROLS (R448A)			
Defrosts Per Day	Electric Defrost		
	Run Off Time (Min) Electric	Fail-Safe (Min)	Termination Temp (°F)
1	0	46	48

DEFROST SCHEDULE (R448A)	
Defrosts Per Day	Time
1	12 midnight

NOTES:

- "----" indicates that this feature is not an option on this case model.
- Listed discharge air velocity represents the average velocity at the peak of defrost.
- Temperature and defrost settings listed below are recommended start-up settings. Final operational settings may need to be adjusted for the store conditions in which the case operates.
- The recommended evaporator temperatures may need to be adjusted based on system setup, store conditions, etc. The minimum recommended evaporator temperature is 4°F below the listed evaporator temperature.
- The 24 Hour Energy Value is based upon AHRI 1200 test conditions with Hillphoenix provided Lights, occupancy sensor based (on/off) lighting control and dew point based anti sweat heat controller.

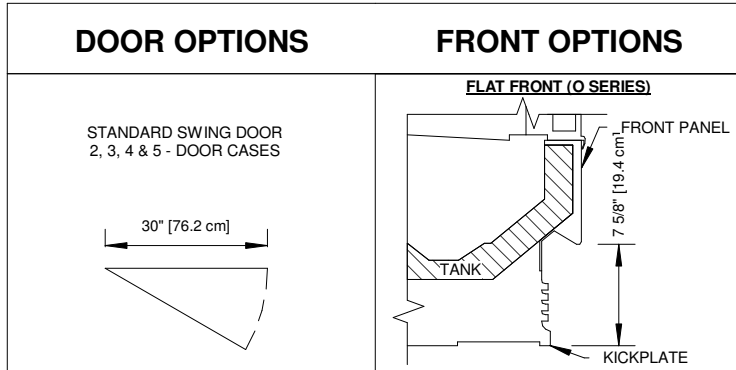


ALL MEASUREMENTS ARE TAKEN PER ASHRAE-72-2005 SPECIFICATIONS. HILLPHOENIX REFRIGERATED DISPLAY CASES FOR SALE IN THE UNITED STATES MEET OR EXCEED DEPARTMENT OF ENERGY 2017 REQUIREMENTS.

JNRZHSA (R448A)

Rev. Date	Rev. #	Rev. Title
10-17-19	7	ENDVIEW UPDATE
9-12-19	6	DATA UPDATE

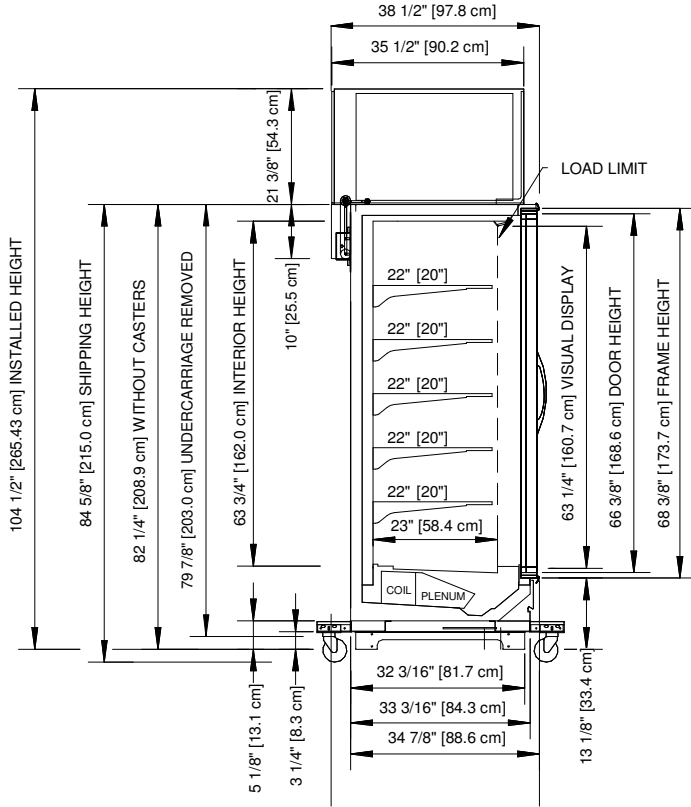
Hillphoenix
A DOVER COMPANY



ALL MEASUREMENTS ARE TAKEN PER ASHRAE-72-2005 SPECIFICATIONS. HILLPHOENIX REFRIGERATED DISPLAY CASES FOR SALE IN THE UNITED STATES MEET OR EXCEED DEPARTMENT OF ENERGY 2017 REQUIREMENTS.

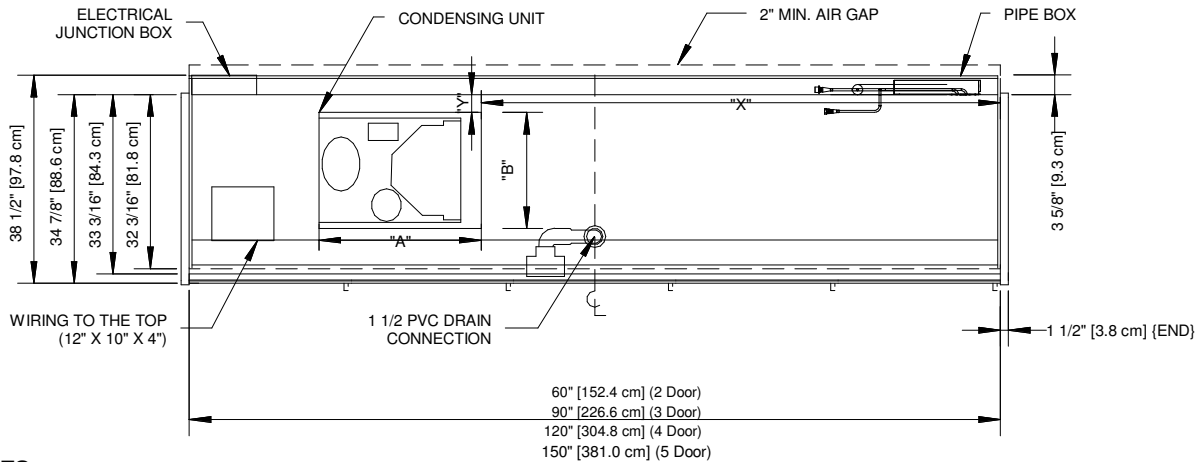
JNRZHSA

Rev. Date	Rev. #	Rev. Title
10-17-19	7	ENDVIEW UPDATE
9-12-19	6	DATA UPDATE



CONDENSING UNIT SIZE AND POSITION R404A				
REFRIGERANT	R404 A			
CASE LENGTH	2DR	3DR	4DR	5DR
"X"	19.5"	33.4"	48.3"	33.0"
"Y"	5.5"	4.5"	4.5"	2.0"
"A"	17.5"	24.0"	24.0"	34.1"
"B"	14.4"	17.5"	17.1"	25.2"

CONDENSING UNIT SIZE AND POSITION R448A				
REFRIGERANT	R448 A			
CASE LENGTH	2DR	3DR	4DR	5DR
"X"	14.0"	39.0"	41.0"	41.0"
"Y"	2.0"	2.0"	2.0"	2.0"
"A"	18.0"	18.0"	24.0"	24.0"
"B"	16.0"	16.0"	24.0"	24.0"



NOTES:

- * : STUB-UP AREA
- ** : RECOMMENDED STUB-UP CENTERLINE FOR ELECTRICAL AND HUB DRAINS

- Specialized Base Frame.
- Case fits through 80" doorway with shipping undercarriage removed.
- 2" lifting brackets (installed) & 3.25" ship loose risers combine for 5" baseframe once installed.
- Drain traps ship loose.
- Ends add approximately 1" to case height, 1/2" to the back & 1" to the front.



ALL MEASUREMENTS ARE TAKEN PER ASHRAE-72-2005 SPECIFICATIONS. HILLPHOENIX REFRIGERATED DISPLAY CASES FOR SALE IN THE UNITED STATES MEET OR EXCEED DEPARTMENT OF ENERGY 2017 REQUIREMENTS.

JNRZHSA

Rev. Date	Rev. #	Rev. Title
10-17-19	7	ENDVIEW UPDATE
9-12-19	6	DATA UPDATE

