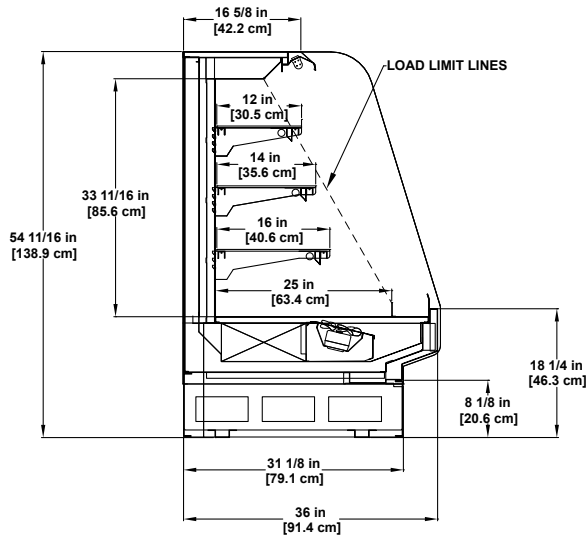


# Self-Service Multi-Deck

Refrigerated bakery merchandiser.



Model KBC-SR  
**Self-Service Multi-Deck**



Please consult Hillphoenix Engineering Reference Manual for dimensions, plan views and technical specifications. Specifications subject to change without notice. Designed for optional performance in store environments where temperature and humidity do not exceed 75 degrees and 55% R.H. Certified to UP 471 and ANSI/NSF Standard 7.

**Available Options**

- Glass or solid laminated interior or mirror polished ends.
- Exterior standard grade laminate.
- Interior or exterior stainless steel finish.
- Interior white or other custom color finish.
- Mirror polish stainless inside back.
- Painted base and end panel trim.
- Stainless steel outside back finish.
- Glass, black or white wire, or white painted metal shelving.
- Sliding or swing rear load doors. Swing recommended.
- Cart bumper.
- Remote glycol or CO<sub>2</sub> refrigeration packages.

**Base Model Features**

- Sled runner base construction.
- Standard 54-11/16”H and 36-1/16”D.
- Standard 8-1/8”H toekick.
- Painted metal exterior.
- Stainless steel exterior trim.
- Stainless steel front, side and rear base trim.
- Outside back and case top painted to match exterior.
- Polished dieboard plex.
- Black painted metal interior.
- Interior trim to match interior.
- (1) row each 12”, 14” and 16” fixed flat, adjustable black painted metal shelving with price tag molding.
- Undershef lighting.
- Clearvoyant LED top light.
- Clearvoyant LED undershef lighting.
- Energy efficient fans.
- Remote DX refrigeration package.



Conyers, GA USA  
 844.591.5937  
 hillphoenix.com

©2017 Hillphoenix, Inc.

FD--KBC-SRv0917