

Hillphoenix

a **DOVER** company

NFD-R

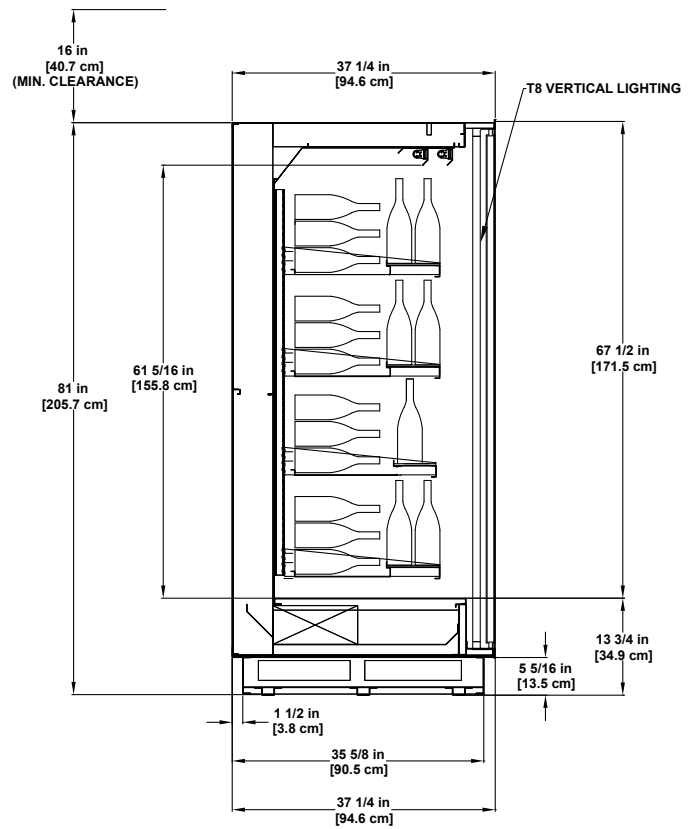
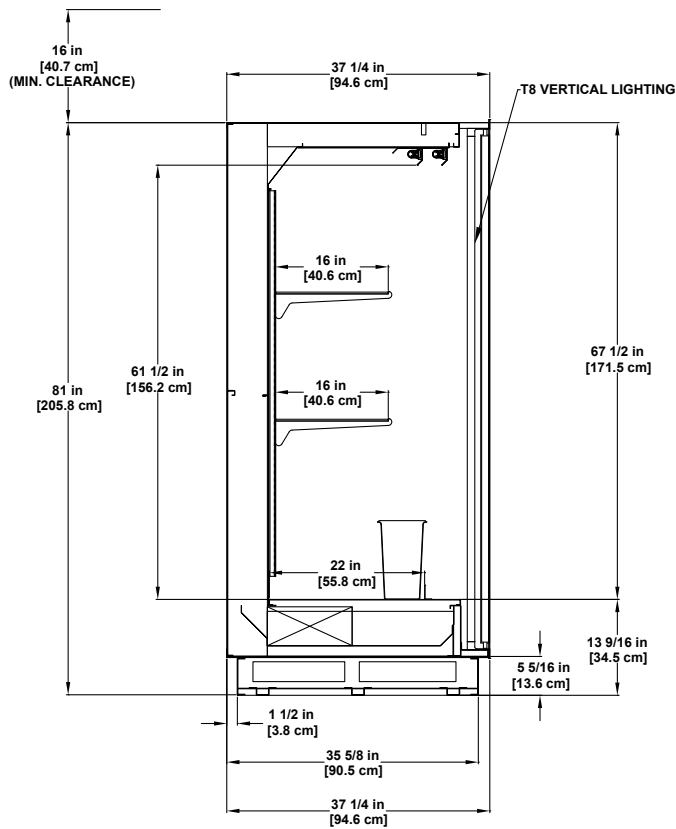
Self-Service Multi-Deck

Refrigerated full-height floral and wine merchandiser with doors.



Photo may depict options not included on standard models.

Model NFD-R
Self-Service Multi-Deck



Please consult Hillphoenix Engineering Reference Manual for dimensions, plan views and technical specifications. Specifications subject to change without notice. Designed for optional performance in store environments where temperature and humidity do not exceed 75 degrees and 55% R.H. Certified to UL 471 and ANSI/NSF Standard 7.

Base Model Features

- Sled-runner base construction.
- Standard 81"H and 37-1/4"D.
- Standard 5-1/2"H toekick.
- Straight front profile.
- Painted black exterior and case top.
- Painted black exterior trim and front, side and base trim.
- Unpainted galvanized outside back and rear toekick.
- Standard painted black interior.
- Floral shelving has (2) rows each 16" flat glass shelves.
- Wine shelving has (3) rows each 22" black brackets w/ wire racks.
- 120-1-60 electrical.
- Clearvoyant LED top lighting.
- Clearvoyant® vertical lighting on black door frame.
- 30" RG glass Anthony doors hinged left.
- Ballast box.
- Remote DX refrigeration package.

Available Options

- Glass or solid interior or mirror plex end panels.
 - Line-ups must have ends left and right.
 - *Wine shelving 4th row.
- Shelf lights are not an option.
- White wire, black or white painted metal shelving.
- Mirror polished SS inside back.
- UBS cart bumper.
- Remote glycol or CO₂ refrigeration package.



Dover Food Retail
Conyers, GA USA
844.591.5937
hillphoenix.com

©2018 Hillphoenix, Inc.



HILLPHOENIX company