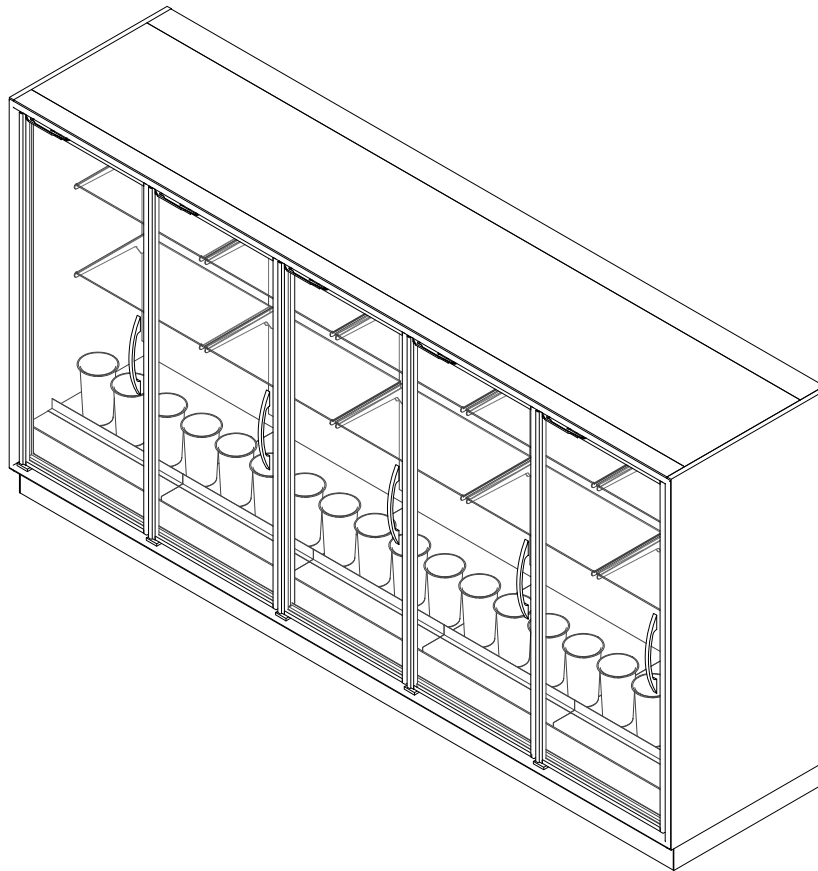


GENERAL NOTES:

- "---" Indicates that the feature is not an option on this case model and/or the data is not yet available at this time.
- Wine shelving (optional)



SHIPPING WEIGHT	
Case	Weight
NFD-R	----



ENGINEERED FOR STORES WITH AMBIENT CONDITIONS NOT TO EXCEED 75° AND 55% RELATIVE HUMIDITY. DUE TO ENGINEERING IMPROVEMENTS SPECIFICATIONS MAY CHANGE WITHOUT NOTICE. ALL MEASUREMENTS ARE TAKEN PER ASHRAE-72-2005 SPECIFICATIONS. HILLPHOENIX REFRIGERATED DISPLAY CASES FOR SALE IN THE UNITED STATES MEET OR EXCEED DEPARTMENT OF ENERGY 2017 REQUIREMENTS. NUMBERS ARE BASED ON STANDARD CASE SIZES. CONSULT ENGINEERING.

NFD-R

Rev. Date	Rev. #	Rev. Title
05-14-20	2	DATA UPDATE
07-23-19	1	NEW STANDARDS



ELECTRICAL DATA									
	Fans Per Case	High Efficiency Fans		Anti-Condensate Fans		Drain Heaters		Optional Defrost Heaters	
		120 Volts		120 Volts		120 Volts		208 Volts	
		Amps	Watts	Amps	Watts	Amps	Watts	Amps	Watts
1 Door	1	0.30	36	---	---	---	---	---	---
2 Door	2	0.60	72	---	---	---	---	---	---
3 Door	3	0.90	108	---	---	---	---	---	---
4 Door	4	1.20	144	---	---	---	---	---	---
5 Door	5	1.50	180	---	---	---	---	---	---

LIGHTING DATA (FLORAL)												
	Horizontal Lighting						Vertical Door Lighting					
	Lights Per Row	Light Length	Clearvoyant 4 LED Lighting (Per Light Row)				Lights Per Row	Light Length	Clearvoyant 4 LED Lighting (Per Light Row)			
			Standard Power (Cornice or Shelf)		High Power (Cornice)				Standard Power		High Power	
			120 Volts		120 Volts				120 Volts		120 Volts	
			Amps	Watts	Amps	Watts			Watts	Amps	Watts	Amps
1 Door	1	2'	0.03	3.1	0.06	7.8	2	5'	0.12	15.0	0.30	37.0
2 Door	1	5'	0.06	6.2	0.15	18.5	2	5'	0.12	15.0	0.30	37.0
3 Door	2	3'	08	7.5	0.20	23.8	4	5'	0.24	30.0	0.60	74.0
4 Door	2	5'	0.12	9.4	0.30	37.0	5	5'	0.30	37.5	0.75	92.5
5 Door	3	4'	0.15	17.7	0.36	44.7	6	5'	0.36	45.0	0.90	111.0

NOTES:

- "----" Indicates that the feature is not an option on this case model and/or the data is not yet available at this time.
- Listed BTUH indicates unlighted shelves. Add the following for lighted shelves:
 4' Fluorescent: 80 BTUH
 3' Fluorescent: 60 BTUH
 4' Shelf LED: 36 BTUH
 4' Canopy LED: 72 BTUH
 3' Shelf LED: 27 BTUH
 3' Hi-Output LED: 54 BTUH
- Listed discharge air velocity represents the average velocity at the peak of defrost.
- * Time-off duration for defrost with no termination control.



ENGINEERED FOR STORES WITH AMBIENT CONDITIONS NOT TO EXCEED 75° AND 55% RELATIVE HUMIDITY. DUE TO ENGINEERING IMPROVEMENTS SPECIFICATIONS MAY CHANGE WITHOUT NOTICE. ALL MEASUREMENTS ARE TAKEN PER ASHRAE-72-2005 SPECIFICATIONS. HILLPHOENIX REFRIGERATED DISPLAY CASES FOR SALE IN THE UNITED STATES MEET OR EXCEED DEPARTMENT OF ENERGY 2017 REQUIREMENTS. NUMBERS ARE BASED ON STANDARD CASE SIZES. CONSULT ENGINEERING.

NFD-R

Rev. Date	Rev. #	Rev. Title
05-14-20	2	DATA UPDATE
07-23-19	1	NEW STANDARDS



LIGHTING DATA (WINE)												
	Horizontal Lighting						Vertical Door Lighting					
	Lights Per Row	Light Length	Clearvoyant 4 LED Lighting (Per Light Row)				Lights Per Row	Light Length	Clearvoyant 4 LED Lighting (Per Light Row)			
			Standard Power (Cornice or Shelf)		High Power (Cornice)				Standard Power		High Power	
			120 Volts		120 Volts				120 Volts		120 Volts	
Amps	Watts	Amps	Watts	Amps	Watts	Amps	Watts	Watts	Amps			
1 Door	1	2'	0.03	3.1	0.06	7.8	2	5'	0.12	15.0	0.30	37.0
2 Door	2	2'	0.06	6.2	0.12	15.6	2	5'	0.12	15.0	0.30	37.0
3 Door	3	2'	0.09	9.3	0.18	23.4	4	5'	0.24	30.0	0.60	74.0
4 Door	4	2'	0.12	12.4	0.24	31.2	5	5'	0.30	37.5	0.75	92.5
5 Door	5	2'	0.15	15.5	0.30	39.0	6	5'	0.36	45.0	0.90	111.0

GUIDELINES AND CONTROL SETTINGS (DX)					
BTUH/ft		Superheat Set Point @ Bulb (°F)	Evaporator (°F)	Discharge Air (°F)	Discharge Air Velocity (FPM)
Conventional	Parallel				
397	391	8 - 9	35	52 - 55	100

DEFROST CONTROLS							
Defrosts Per Day	Run-Off Time (Min)	Electric Defrost		Timed-Off Defrost		Hot Gas Defrost	
		Fail-Safe (Min)	Termination Temp (°F)	Fail-Safe (Min)	Termination Temp (°F)	Fail-Safe (Min)	Termination Temp (°F)
1	---	---	---	20/*15	45	---	---



ENGINEERED FOR STORES WITH AMBIENT CONDITIONS NOT TO EXCEED 75° AND 55% RELATIVE HUMIDITY. DUE TO ENGINEERING IMPROVEMENTS SPECIFICATIONS MAY CHANGE WITHOUT NOTICE. ALL MEASUREMENTS ARE TAKEN PER ASHRAE-72-2005 SPECIFICATIONS. HILLPHOENIX REFRIGERATED DISPLAY CASES FOR SALE IN THE UNITED STATES MEET OR EXCEED DEPARTMENT OF ENERGY 2017 REQUIREMENTS. NUMBERS ARE BASED ON STANDARD CASE SIZES. CONSULT ENGINEERING.

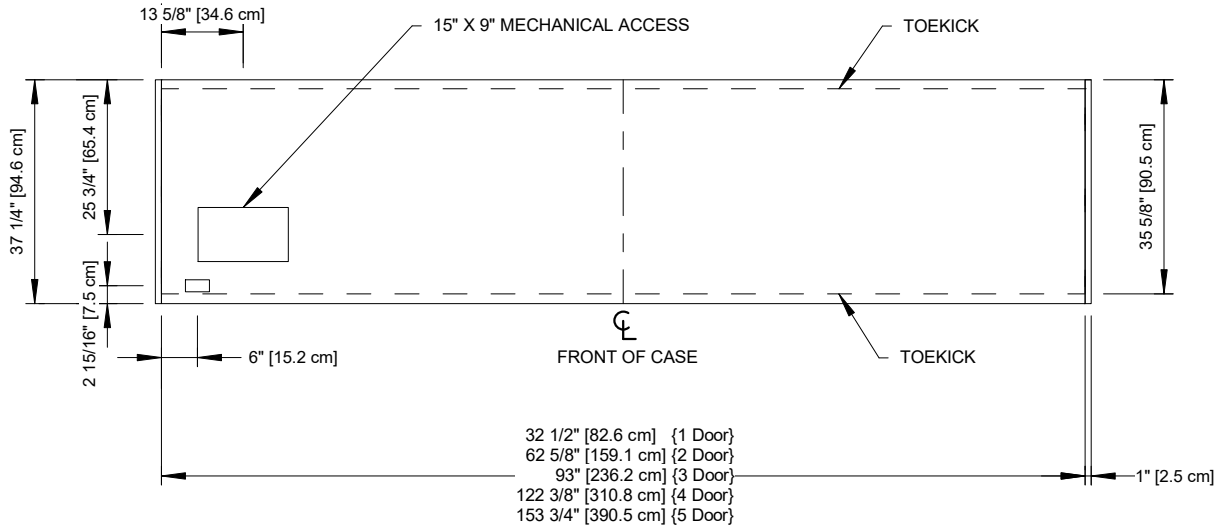
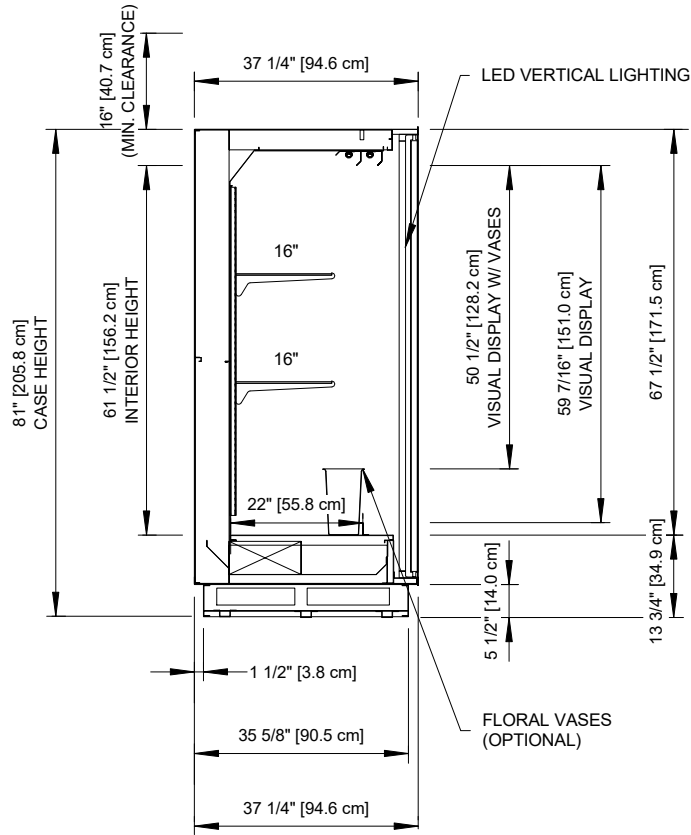
NFD-R

Rev. Date	Rev. #	Rev. Title
05-14-20	2	DATA UPDATE
07-23-19	1	NEW STANDARDS



NFD-R (FLORAL)

Self-Service Multi-Deck Refrigerated Display Cases w/ Doors
1, 2, 3, 4 & 5 Door (Floral/Wine)



Intertek Intertek

ENGINEERED FOR STORES WITH AMBIENT CONDITIONS NOT TO EXCEED 75° AND 55% RELATIVE HUMIDITY. DUE TO ENGINEERING IMPROVEMENTS SPECIFICATIONS MAY CHANGE WITHOUT NOTICE. ALL MEASUREMENTS ARE TAKEN PER ASHRAE-72-2005 SPECIFICATIONS. HILLPHOENIX REFRIGERATED DISPLAY CASES FOR SALE IN THE UNITED STATES MEET OR EXCEED DEPARTMENT OF ENERGY 2017 REQUIREMENTS. NUMBERS ARE BASED ON STANDARD CASE SIZES. CONSULT ENGINEERING.

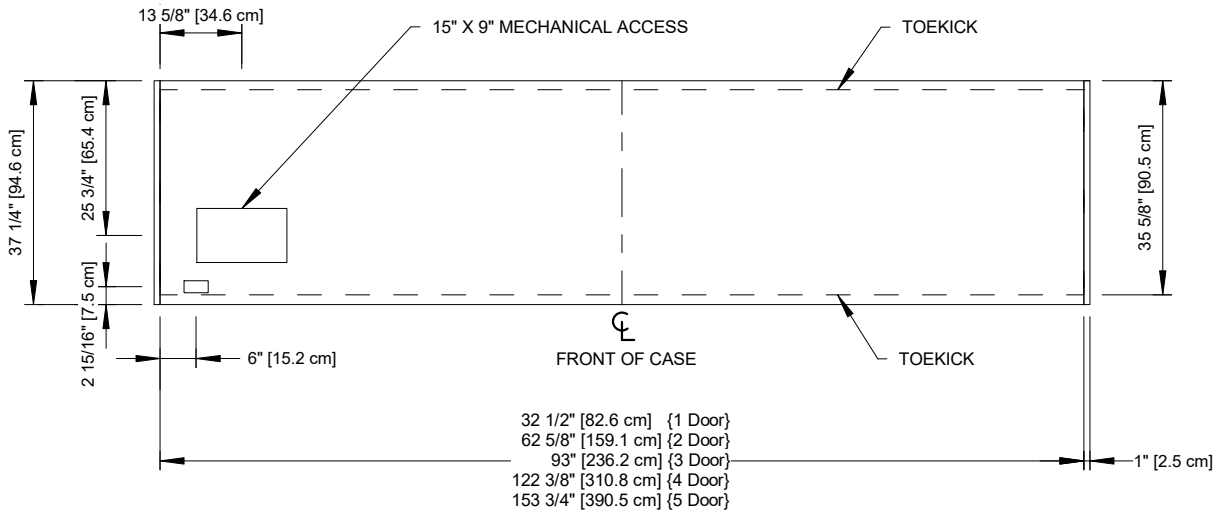
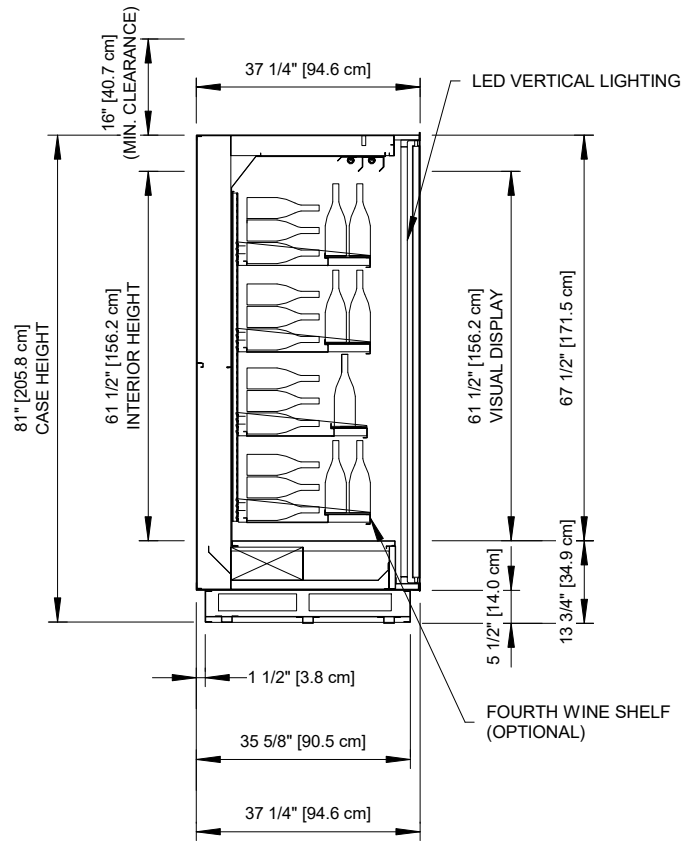
NFD-R (FLORAL)

Rev. Date	Rev. #	Rev. Title
05-14-20	2	DATA UPDATE
07-23-19	1	NEW STANDARDS



NFD-R (WINE)

Self-Service Multi-Deck Merchandiser w/ Doors
1, 2, 3, 4 & 5 Door (Floral/Wine)



NOTES:

- Shown with optional wine shelving.



Intertek Intertek

ENGINEERED FOR STORES WITH AMBIENT CONDITIONS NOT TO EXCEED 75° AND 55% RELATIVE HUMIDITY. DUE TO ENGINEERING IMPROVEMENTS SPECIFICATIONS MAY CHANGE WITHOUT NOTICE. ALL MEASUREMENTS ARE TAKEN PER ASHRAE-72-2005 SPECIFICATIONS. HILLPHOENIX REFRIGERATED DISPLAY CASES FOR SALE IN THE UNITED STATES MEET OR EXCEED DEPARTMENT OF ENERGY 2017 REQUIREMENTS. NUMBERS ARE BASED ON STANDARD CASE SIZES. CONSULT ENGINEERING.

NFD-R (WINE)

Rev. Date	Rev. #	Rev. Title
05-14-20	2	DATA UPDATE
07-23-19	1	NEW STANDARDS



a DOVER company