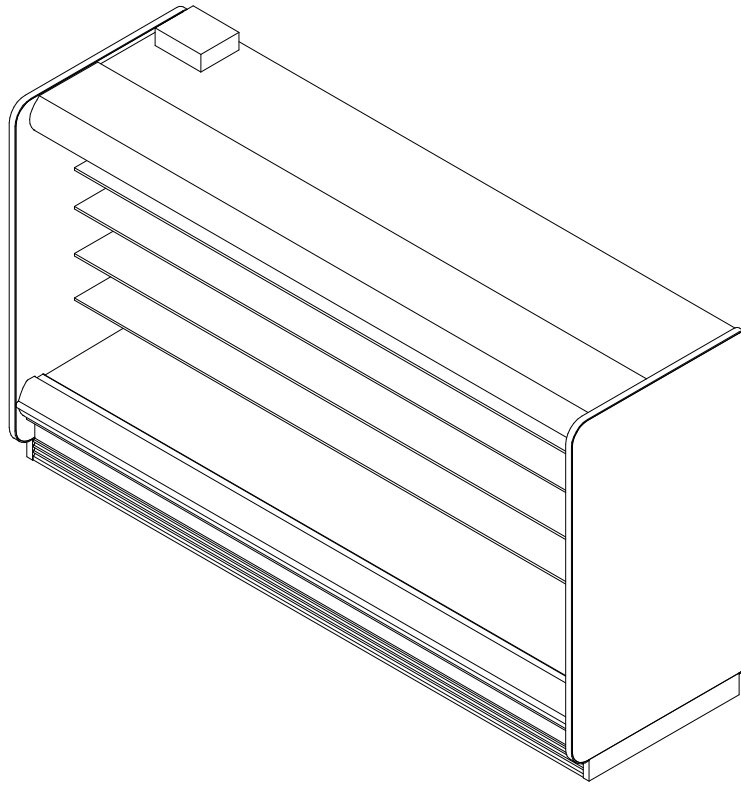


# O5DR-NRG

8' & 12' Rear Load Multi-Deck Merchandiser with Synerg-E™  
(Beverage / Dairy) - For use against cooler only

## GENERAL NOTES:

- "---" indicates that the feature is not an option for this case model and/or data is not available yet.
- LED lights only.
- Maximum of 4 rows of standard output LED lighted shelves.
- Rear-loading cases are designed for the rear door to open into an operating cooler.



SHIPPING WEIGHT	
Case	Weight
O5DR-NRG	---



COMPONENT

ALL MEASUREMENTS ARE TAKEN PER ASHRAE-72-2005 SPECIFICATIONS. HILLPHOENIX REFRIGERATED DISPLAY CASES FOR SALE IN THE UNITED STATES MEET OR EXCEED DEPARTMENT OF ENERGY 2017 REQUIREMENTS.

## O5DR-NRG

Rev. Date	Rev. #	Rev. Title
9-23-19	6	OPTIONS UPDATE
9-18-19	5	ENDVIEW UPDATE

**Hillphoenix**  
A DOVER COMPANY

# O5DR-NRG

8' & 12' Rear Load Multi-Deck Merchandiser with Synerg-E™  
(Beverage / Dairy) - For use against cooler only

ELECTRICAL DATA			
Case Length	Fans Per Case	High Efficiency Fans	
		120 Volt	
		Amps	Watts
8'	4	0.90	67.0
12'	6	1.35	100.0

LIGHTING DATA					
Case Length	Lights per row	Clearvoyant v4 LED Lighting (Per Light Row)			
		Standard Power (Cornice or Shelf)		High Power (Cornice Only)	
		120 Volts		120 Volts	
		Amps	Watts	Amps	Watts
8'	2	0.10	11.8	0.25	29.9
12'	3	0.15	17.6	0.37	44.8

GUIDELINES AND CONTROL SETTINGS							
Application	Front Sill height	BTUH/ft		Superheat Set Point @ Bulb (°F)	Evaporator (°F)	Discharge Air (°F)	Discharge Air Velocity (FPM)
		Conventional	Parallel				
Dairy	Std. Dairy	1400	1225	6 - 8	28	32	250
Dairy	2.5" Extended	1360	1190	6 - 8	28	32	250
Dairy	5" Extended	1331	1165	6 - 8	28	32	250
Dairy	7.5" Extended	1309	1145	6 - 8	28	32	250
Beverage	Std. Dairy	1075	1045	6 - 8	34	37	250
Beverage	2.5" Extended	1044	1015	6 - 8	34	37	250
Beverage	5" Extended	1008	980	6 - 8	34	37	250

DEFROST CONTROLS			
Application	Defrosts Per Day	Timed-Off Defrost	
		Fail-Safe (Min)	Termination Temp (°F)
Dairy	6	40	47
Beverage	2	30	47

## NOTES:

- "----" indicates that the feature is not an option for this case model and/or data is not available yet
- Listed BTUH/ft data represent unlighted shelves. For LED lighting, add 9 BTUH/ft per row of lighted shelving.
- BTUH load increases by 132 BTUH/ft when aftermarket merchandising accessories are utilized.
- Listed evaporator temperature represents unlighted shelves. For lighted shelves and/or aftermarket merchandising accessories, reduce the listed evaporator temperature by 2°F.
- Conventional Discharge Air Control – Recommended Settings: Cut-In Temp = Discharge Air + 2°F; Cut-Out Temp = Discharge Air - 2°F.
- Listed discharge air velocity represents the average velocity immediately after defrost.
- Temperature and defrost settings listed below are recommended start-up settings. Final operational settings may need to be adjusted for the store conditions in which the case operates.
- The recommended evaporator temperatures may need to be adjusted based on system setup, store conditions, etc. The minimum recommended evaporator temperature is 4°F below the listed evaporator temperature.



ALL MEASUREMENTS ARE TAKEN PER ASHRAE-72-2005 SPECIFICATIONS. HILLPHOENIX REFRIGERATED DISPLAY CASES FOR SALE IN THE UNITED STATES MEET OR EXCEED DEPARTMENT OF ENERGY 2017 REQUIREMENTS.

## O5DR-NRG

Rev. Date	Rev. #	Rev. Title
9-23-19	6	OPTIONS UPDATE
9-18-19	5	ENDVIEW UPDATE

**Hillphoenix**  
A DOVER COMPANY

# O5DR-NRG

8' & 12' Rear Load Multi-Deck Merchandiser with Synerg-E™  
(Beverage / Dairy) - For use against cooler only

## SECOND NATURE DATA

Case Model	No. of Coils	Application	Front Sill height	BTUH/FT		GPM/ft (DR)	Supply Fluid Temp (°F)	Discharge Air Temp (°F)
				Conventional	Parallel			
O5DR-NRG	1	Beverage/Bulk Produce	5" Extended	1008	980	0.20	20	37
O5DR-NRG	1	Beverage/Bulk Produce	2.5" Extended	1044	1015	0.20	20	37
O5DR-NRG	1	Beverage/Bulk Produce	Std. Dairy	1075	1045	0.21	20	37
O5DR-NRG	1	Dairy	7.5" Extended	1309	1145	0.34	20	32
O5DR-NRG	1	Dairy	5" Extended	1331	1165	0.34	20	32
O5DR-NRG	1	Dairy	2.5" Extended	1360	1190	0.35	20	32
O5DR-NRG	1	Dairy	Std. Dairy	1400	1225	0.36	20	32
O5DR-NRG	1	Beverage/Bulk Produce	7.5" Extended	1008	980	0.34	25	37
O5DR-NRG	1	Beverage/Bulk Produce	5" Extended	1044	1015	0.35	25	37
O5DR-NRG	1	Beverage/Bulk Produce	2.5" Extended	1075	1045	0.36	25	37
O5DR-NRG	1	Dairy	7.5" Extended	1309	1145	0.60	25	37
O5DR-NRG	1	Dairy	5" Extended	1331	1165	0.61	25	37
O5DR-NRG	1	Dairy	2.5" Extended	1360	1190	0.63	25	37
O5DR-NRG	1	Dairy	Std. Dairy	1400	1225	0.64	25	37

## SECOND NATURE DATA

Case Model	No. of Coils	Application	Front Sill height	Supply Fluid Temp (°F)	No. of Defrost	Timed-Off Defrost		Warm Fluid Defrost	
						Fail-Safe (Min)	Termination Temp (°F)	Fail-Safe (Min)	Termination Temp (°F)
O5DR-NRG	1	Beverage/Bulk Produce	5" Extended	20	6	60	47	26	49
O5DR-NRG	1	Beverage/Bulk Produce	2.5" Extended	20	6	60	47	26	49
O5DR-NRG	1	Beverage/Bulk Produce	Std. Dairy	20	6	60	47	26	49
O5DR-NRG	1	Dairy	7.5" Extended	20	6	60	47	26	49
O5DR-NRG	1	Dairy	5" Extended	20	6	60	47	26	49
O5DR-NRG	1	Dairy	2.5" Extended	20	6	60	47	26	49
O5DR-NRG	1	Dairy	Std. Dairy	20	6	60	47	26	49
O5DR-NRG	1	Beverage/Bulk Produce	7.5" Extended	25	6	45	47	26	49
O5DR-NRG	1	Beverage/Bulk Produce	5" Extended	25	6	45	47	26	49
O5DR-NRG	1	Beverage/Bulk Produce	2.5" Extended	25	6	45	47	26	49
O5DR-NRG	1	Dairy	7.5" Extended	25	6	45	47	26	49
O5DR-NRG	1	Dairy	5" Extended	25	6	45	47	26	49
O5DR-NRG	1	Dairy	2.5" Extended	25	6	45	47	26	49
O5DR-NRG	1	Dairy	Std. Dairy	25	6	45	47	26	49

### NOTES:

- All medium temperature data listed is for 35% by wt. PROPYLENE GLYCOL.
- Inhibited Propylene Glycol solution with water, such as Dowfrost or equivalent. (Dowfrost is a trademark of the Dow Chemical Company).
- Flowrates are determined by ASHRAE test conditions and may need to be adjusted based on store conditions.
- \*\* Flowrates are per case



ALL MEASUREMENTS ARE TAKEN PER ASHRAE-72-2005 SPECIFICATIONS. HILLPHOENIX REFRIGERATED DISPLAY CASES FOR SALE IN THE UNITED STATES MEET OR EXCEED DEPARTMENT OF ENERGY 2017 REQUIREMENTS.

## O5DR-NRG

Rev. Date	Rev. #	Rev. Title
9-23-19	6	OPTIONS UPDATE
9-18-19	5	ENDVIEW UPDATE

**Hillphoenix**  
A DOVER COMPANY

# O5DR-NRG

8' & 12' Rear Load Multi-Deck Merchandiser with Synerg-E™  
(Beverage / Dairy) - For use against cooler only

CORNICHE OPTIONS	CURVED CORNICE	CURVED CORNICE WITH NIGHT COVER	FACETED CORNICE	FACETED CORNICE WITH NIGHT COVER	FLAT CORNICE	FLAT CORNICE WITH STANDARD NIGHT COVER
	41 5/8" 	44 7/8" 	41 1/2" 	44 3/4" 	40 1/4" 	43 3/8" 
FRONT OPTIONS	FLAT FRONT 2	STANDARD FRONT  19 7/8" [50.5 cm]	2 1/2" EXTENDED FRONT W/ & W/O NOSE LIGHT  22 3/8" [56.9 cm]	5" EXTENDED FRONT W/ & W/O NOSE LIGHT  25" [63.5 cm]	7 1/2" EXTENDED FRONT  27 3/8" [69.6 cm]	
	FLAT FRONT	STANDARD FRONT  18 11/16" [47.5 cm]	2 1/2" EXTENDED FRONT W/ & W/O NOSE LIGHT  21 3/16" [53.9 cm]	5" EXTENDED FRONT W/ & W/O NOSE LIGHT  23 11/16" [60.2 cm]	7 1/2" EXTENDED FRONT  26 3/16" [66.6 cm]	
	CLASSIC 2 METAL	STANDARD FRONT  18 11/16" [47.5 cm]	2 1/2" EXTENDED FRONT W/ & W/O NOSE LIGHT  21 3/16" [53.9 cm]	5" EXTENDED FRONT W/ & W/O NOSE LIGHT  23 11/16" [60.2 cm]	7 1/2" EXTENDED FRONT  26 3/16" [66.6 cm]	
	CLASSIC 2 POLYMER	STANDARD FRONT  18 11/16" [47.5 cm]	2 1/2" EXTENDED FRONT W/ & W/O NOSE LIGHT  21 3/16" [53.9 cm]	5" EXTENDED FRONT W/ & W/O NOSE LIGHT  23 11/16" [60.2 cm]	7 1/2" EXTENDED FRONT  26 3/16" [66.6 cm]	
	ORIGIN 2	STANDARD FRONT  18 11/16" [47.5 cm]	2 1/2" EXTENDED FRONT W/ & W/O NOSE LIGHT  21 3/16" [53.9 cm]	5" EXTENDED FRONT W/ & W/O NOSE LIGHT  23 11/16" [60.2 cm]	7 1/2" EXTENDED FRONT  26 3/16" [66.6 cm]	
	THERMOPANE	6" THERMOPANE FRONT  29 7/8" [75.8 cm]	4" THERMOPANE FRONT  27 7/8" [70.8 cm]	4" THERMOPANE FRONT W/T NOSE LIGHT  27 7/8" [70.8 cm]	6" THERMOPANE FRONT  29 7/8" [75.9 cm]	

**NOTES:**

- Front sill height and overall case height varies with base frame height.
- Tag molding materials are PVC, aluminum, or painted aluminum.
- See Ecoblade tech sheet for additional information.



COMPONENT

ALL MEASUREMENTS ARE TAKEN PER ASHRAE-72-2005 SPECIFICATIONS. HILLPHOENIX REFRIGERATED DISPLAY CASES FOR SALE IN THE UNITED STATES MEET OR EXCEED DEPARTMENT OF ENERGY 2017 REQUIREMENTS.

**O5DR-NRG**

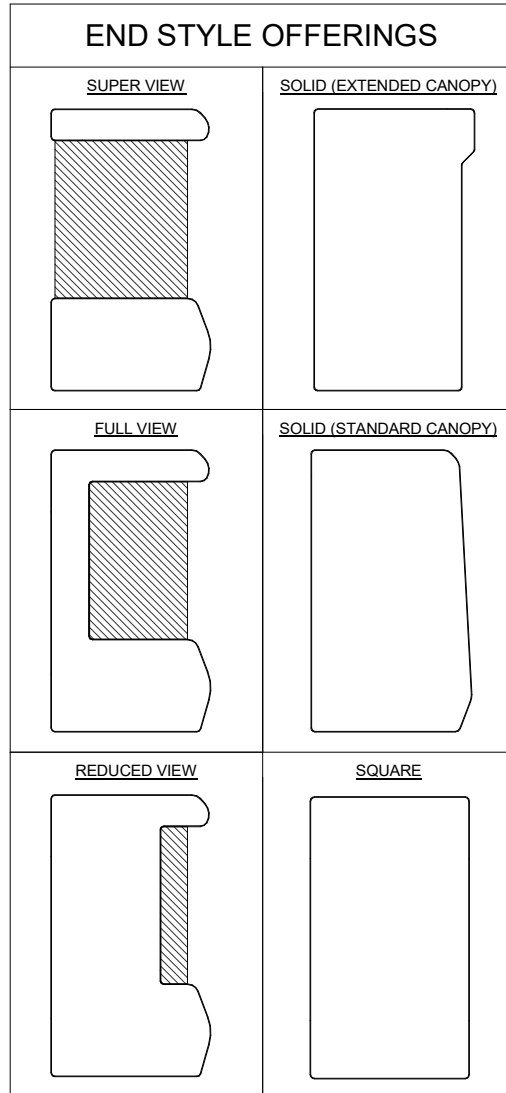
Rev. Date	Rev. #	Rev. Title
9-23-19	6	OPTIONS UPDATE
9-18-19	5	ENDVIEW UPDATE



A DOVER COMPANY

# O5DR-NRG

8' & 12' Rear Load Multi-Deck Merchandiser with Synerg-E™  
(Beverage / Dairy) - For use against cooler only



**NOTES:**

- Ends shown are for general use only. Shape, size, and appearance are subject to change based on engineering configuration.
- Hatched regions represent glass inserts.
- Ends add approximately 1" to case height, 1/2" to the back & 1" to the front.
- Ends are available with either polymer end trim or metal end trim.



ALL MEASUREMENTS ARE TAKEN PER ASHRAE-72-2005 SPECIFICATIONS. HILLPHOENIX REFRIGERATED DISPLAY CASES FOR SALE IN THE UNITED STATES MEET OR EXCEED DEPARTMENT OF ENERGY 2017 REQUIREMENTS.

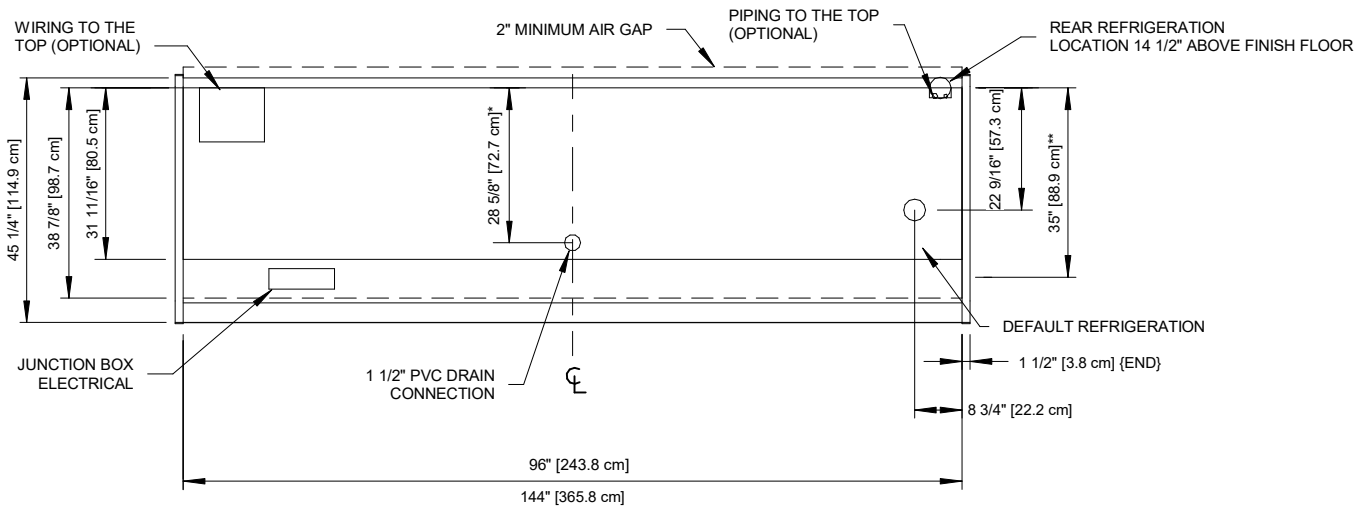
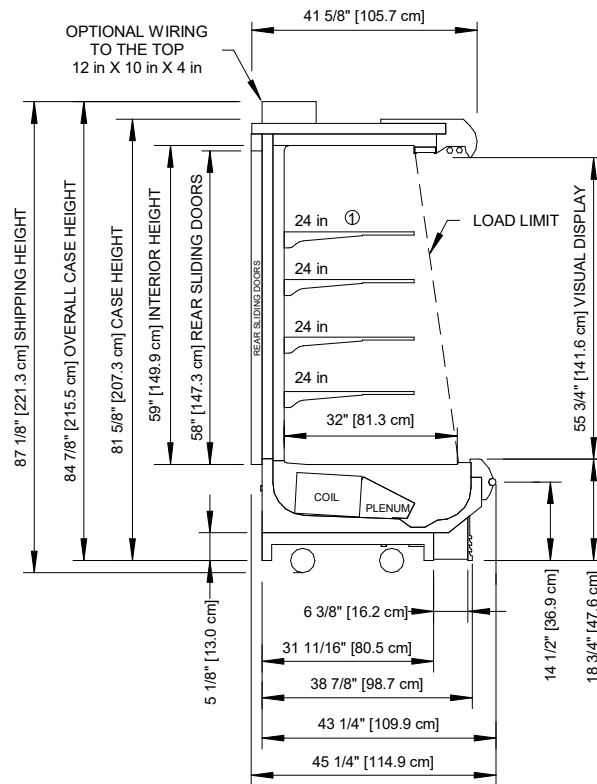
**O5DR-NRG**

Rev. Date	Rev. #	Rev. Title
9-23-19	6	OPTIONS UPDATE
9-18-19	5	ENDVIEW UPDATE



# O5DR-NRG

8' & 12' Rear Load Multi-Deck Merchandiser with Synerg-E™  
(Beverage / Dairy) - For use against cooler only



## NOTES:

\* : STUB-UP AREA

\*\* : RECOMMENDED STUB-UP CENTERLINE FOR ELECTRICAL AND DRAINS

① : AVAILABLE SHELF SIZES: 10", 12", 14", 16", 18", 20", 22" & 24"

- Front sill height and overall case height varies with base frame height
- Ends add approximately 1" to case height. 1/2" to the back & 1" to the front
- Cooler opening should be 82" x case length



ALL MEASUREMENTS ARE TAKEN PER ASHRAE-72-2005 SPECIFICATIONS. HILLPHOENIX REFRIGERATED DISPLAY CASES FOR SALE IN THE UNITED STATES MEET OR EXCEED DEPARTMENT OF ENERGY 2017 REQUIREMENTS.

## O5DR-NRG

Rev. Date	Rev. #	Rev. Title
9-23-19	6	OPTIONS UPDATE
9-18-19	5	ENDVIEW UPDATE

**Hillphoenix**  
A DOVER COMPANY