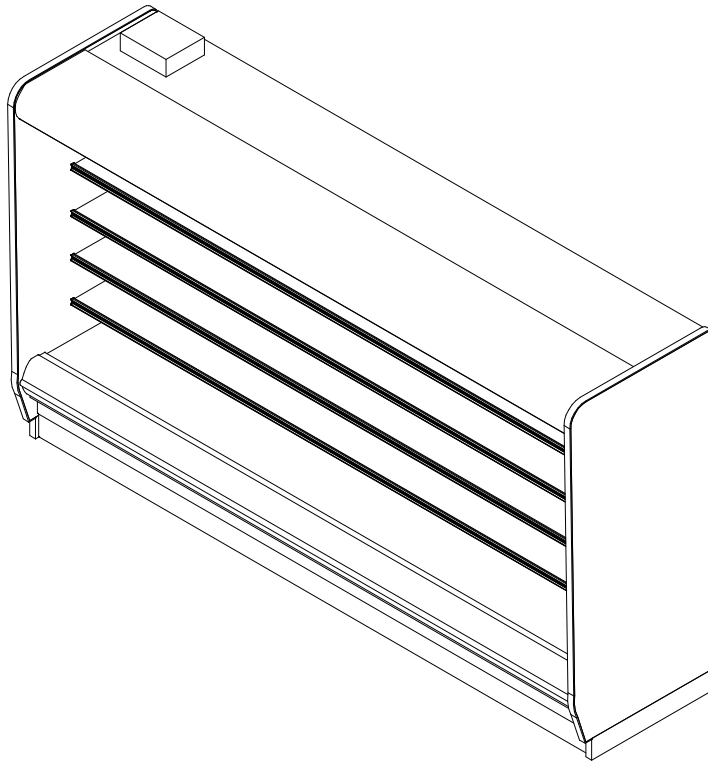


# ON5DMX-NRG

4', 6', 8' & 12' Narrow Multi-Deck Merchandiser with Synerg-E™  
Beverage / Dairy / Deli / Produce

**GENERAL NOTES:**

- "---" indicates that the feature is not an option on this case model and/or the data is not available at this time.
- LED lights only.
- Maximum of 5 rows of Standard Output LED lighted shelves.



SHIPPING WEIGHT	
Case	Weight
ON5DMX-NRG	---



ALL MEASUREMENTS ARE TAKEN PER ASHRAE-72-2005 SPECIFICATIONS. HILLPHOENIX REFRIGERATED DISPLAY CASES FOR SALE IN THE UNITED STATES MEET OR EXCEED DEPARTMENT OF ENERGY 2017 REQUIREMENTS.

**ON5DMX-NRG**

Rev. Date	Rev. #	Rev. Title
11-17-20	9	SHELVING UPDATE
9-24-19	8	OPTIONS UPDATE



# ON5DMX-NRG

4', 6', 8' & 12' Narrow Multi-Deck Merchandiser with Synerg-E™  
Beverage / Dairy / Deli / Produce

ELECTRICAL DATA			
Case Length	Fans Per Case	High Efficiency Fans	
		120 Volt	
		Amps	Watts
4'	1	0.23	18.0
6'	2	0.47	35.0
8'	2	0.47	35.0
12'	3	0.70	53.0

LIGHTING DATA					
Case Length	Lights per row	Clearvoyant v4 LED Lighting (Per Light Row)			
		Standard Power (Cornice or Shelf)		High Power (Cornice Only)	
		120 Volts		120 Volts	
		Amps	Watts	Amps	Watts
4'	1	0.05	5.9	0.12	14.9
6'	2	0.08	9.4	0.20	23.8
8'	2	0.10	11.8	0.25	29.9
12'	3	0.15	17.6	0.37	44.8

GUIDELINES AND CONTROL SETTINGS							
Application	Front Sill height	BTUH/ft		Superheat Set Point @ Bulb (°F)	Evaporator (°F)	Discharge Air (°F)	Discharge Air Velocity (FPM)
		Conventional	Parallel				
Beverage/Bulk Produce	Std. Dairy	1085	1055	6 - 8	34	37	150
Beverage/Bulk Produce	2.5" Extended	1020	1020	6 - 8	34	37	150
Beverage/Bulk Produce	5" Extended	995	995	6 - 8	34	37	150
Beverage/Bulk Produce	7.5" Extended	975	975	6 - 8	34	37	150
Dairy/Deli/Cut Produce	Std. Dairy	1371	1200	6 - 8	28	31	150
Dairy/Deli/Cut Produce	2.5" Extended	1331	1165	6 - 8	28	31	150
Dairy/Deli/Cut Produce	5" Extended	1303	1140	6 - 8	28	31	150
Dairy/Deli/Cut Produce	7.5" Extended	1280	1120	6 - 8	28	31	150

DEFROST CONTROLS			
Application	Defrosts Per Day	Timed-Off Defrost	
		Fail-Safe (Min)	Termination Temp (F)
Beverage/Bulk Produce	2	30	47
Dairy/Deli/Cut Produce	6	40	47

## NOTES:

- "---" indicates that the feature is not an option on this case model and/or the data is not available at this time.
- Listed BTUH/ft data represent unlighted shelves. For LED lighting, add 9 BTUH/ft per row of lighted shelving.
- BTUH load increases by 132 BTUH/ft when aftermarket merchandising accessories are utilized.
- Listed evaporator temperature represents unlighted shelves. For lighted shelves and/or aftermarket merchandising accessories, reduce the listed evaporator temperature by 2°F.
- Conventional Discharge Air Control – Recommended Settings: Cut-In Temp = Discharge Air + 2°F; Cut-Out Temp = Discharge Air - 2°F.
- Listed discharge air velocity represents the average velocity immediately after defrost.
- Temperature and defrost settings listed above are recommended start-up settings. Final operational settings may need to be adjusted for the store conditions in which the case operates.
- The recommended evaporator temperatures may need to be adjusted based on system setup, store conditions, etc. The minimum recommended evaporator temperature is 4°F below the listed evaporator temperature.



## ON5DMX-NRG

ALL MEASUREMENTS ARE TAKEN PER ASHRAE-72-2005 SPECIFICATIONS. HILLPHOENIX REFRIGERATED DISPLAY CASES FOR SALE IN THE UNITED STATES MEET OR EXCEED DEPARTMENT OF ENERGY 2017 REQUIREMENTS.

Rev. Date	Rev. #	Rev. Title
11-17-20	9	SHELVING UPDATE
9-24-19	8	OPTIONS UPDATE

**Hillphoenix**  
A DOVER COMPANY

# ON5DMX-NRG

4', 6', 8' & 12' Narrow Multi-Deck Merchandiser with Synerg-E™  
Beverage / Dairy / Deli / Produce

CORNICE OPTIONS		CURVED CORNICE	CURVED CORNICE WITH NIGHT COVER	FACETED CORNICE	FACETED CORNICE WITH NIGHT COVER	FLAT CORNICE	FLAT CORNICE WITH STANDARD NIGHT COVER
		37"	40 1/4"	36 7/8"	40 1/8"	36 1/8"	38 3/4"
FRONT OPTIONS	FLAT FRONT 2	STANDARD FRONT 	2 1/2" EXTENDED FRONT W/ & W/O NOSE LIGHT 	5" EXTENDED FRONT W/ & W/O NOSE LIGHT 	7 1/2" EXTENDED FRONT 		
	FLAT FRONT	STANDARD FRONT 	2 1/2" EXTENDED FRONT W/ & W/O NOSE LIGHT 	5" EXTENDED FRONT W/ & W/O NOSE LIGHT 	7 1/2" EXTENDED FRONT 		
	CLASSIC 2 METAL	STANDARD FRONT 	2 1/2" EXTENDED FRONT W/ & W/O NOSE LIGHT 	5" EXTENDED FRONT W/ & W/O NOSE LIGHT 	7 1/2" EXTENDED FRONT 		
	CLASSIC 2 POLYMER	STANDARD FRONT 	2 1/2" EXTENDED FRONT W/ & W/O NOSE LIGHT 	5" EXTENDED FRONT W/ & W/O NOSE LIGHT 	7 1/2" EXTENDED FRONT 		
	ORIGIN 2	STANDARD FRONT 	2 1/2" EXTENDED FRONT W/ & W/O NOSE LIGHT 	5" EXTENDED FRONT W/ & W/O NOSE LIGHT 	7 1/2" EXTENDED FRONT 		
	THERMOPANE	6" THERMOPANE FRONT 	4" THERMOPANE FRONT 	4" THERMOPANE FRONT W/T NOSE LIGHT 	6" THERMOPANE FRONT 		

**OPTION PAGE NOTES:**

- Tag molding materials are PVC, aluminum, or painted aluminum.
- See Ecoblade tech sheet for additional information.



ALL MEASUREMENTS ARE TAKEN PER ASHRAE-72-2005 SPECIFICATIONS. HILLPHOENIX REFRIGERATED DISPLAY CASES FOR SALE IN THE UNITED STATES MEET OR EXCEED DEPARTMENT OF ENERGY 2017 REQUIREMENTS.

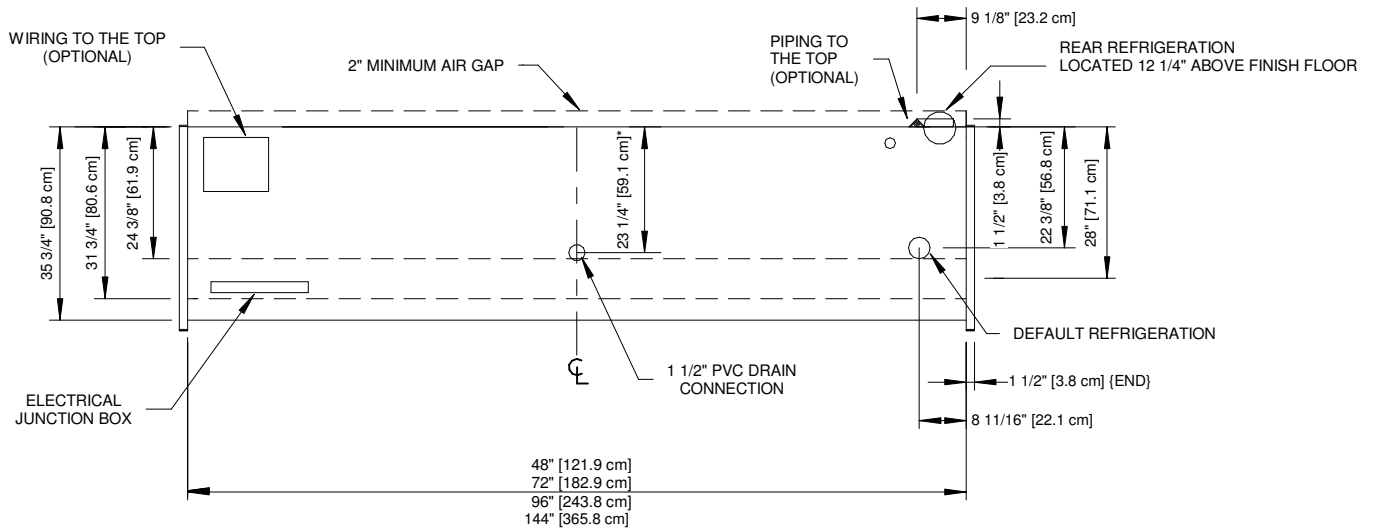
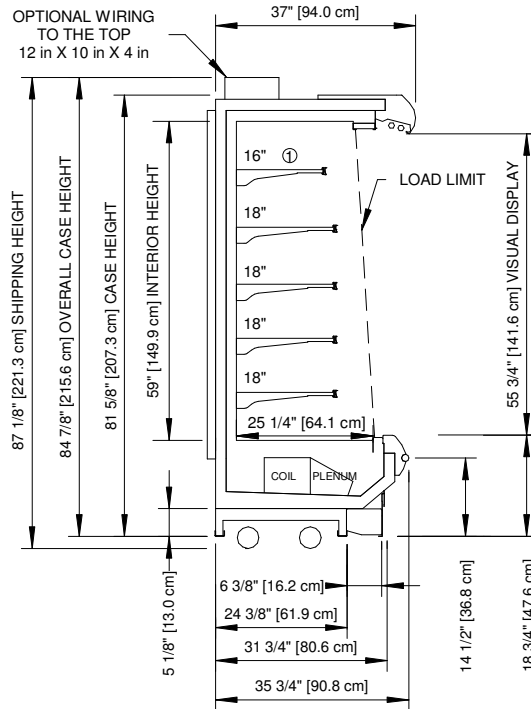
**ON5DMX-NRG**

Rev. Date	Rev. #	Rev. Title
11-17-20	9	SHELVING UPDATE
9-24-19	8	OPTIONS UPDATE



# ON5DMX-NRG

4', 6', 8' & 12' Narrow Multi-Deck Merchandiser with Synerg-E™  
Beverage / Dairy / Deli / Produce



## NOTES:

\* :STUB-UP AREA

\*\* :RECOMMENDED STUB-UP CENTERLINE FOR ELECTRICAL AND DRAINS

① :AVAILABLE SHELF SIZES: 10", 12", 14", 16", 18" & 20"

- Ends add approximately 1" to case height, 1/2" to the back & 1" to the front.
- Back panels add approximately 1" to the rear of the case.



ALL MEASUREMENTS ARE TAKEN PER ASHRAE-72-2005 SPECIFICATIONS. HILLPHOENIX REFRIGERATED DISPLAY CASES FOR SALE IN THE UNITED STATES MEET OR EXCEED DEPARTMENT OF ENERGY 2017 REQUIREMENTS.

## ON5DMX-NRG

Rev. Date	Rev. #	Rev. Title
11-17-20	9	SHELVING UPDATE
9-24-19	8	OPTIONS UPDATE

**Hillphoenix**  
A DOVER COMPANY