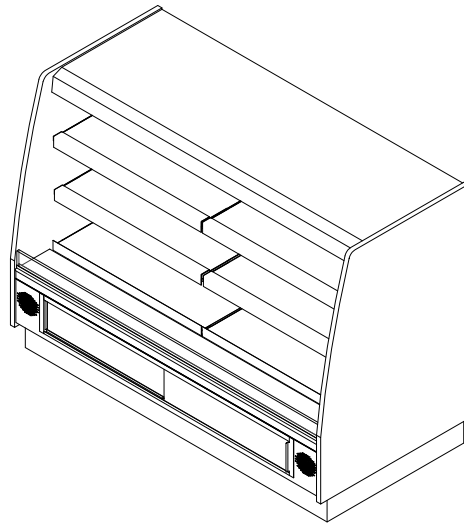


**GENERAL NOTES**

- "----" Indicates that the feature is not an option on this case model and/or the data is not yet available at this time.



SHIPPING WEIGHT	
Case	Weight
PFH-C	---



ENGINEERED FOR STORES WITH AMBIENT CONDITIONS NOT TO EXCEED 75° AND 55% RELATIVE HUMIDITY. DUE TO ENGINEERING IMPROVEMENTS SPECIFICATIONS MAY CHANGE WITHOUT NOTICE. ALL MEASUREMENTS ARE TAKEN PER ASHRAE-72-2005 SPECIFICATIONS. HILLPHOENIX REFRIGERATED DISPLAY CASES FOR SALE IN THE UNITED STATES MEET OR EXCEED DEPARTMENT OF ENERGY 2017 REQUIREMENTS. NUMBERS ARE BASED ON STANDARD CASE SIZES. CONSULT ENGINEERING.

**PFH-C**

Rev. Date	Rev. #	Rev. Title
02-27-19	3	NOTES UPDATE
02-05-19	2	DATA UPDATE

SELF-SERVICE DATA													
Case Length	First Bottom Shelf		Second Middle Shelf		Third Middle Shelf		Fourth Top Shelf		Top Heaters		Total Amps (208-3-60)		
	Qty	Watts (Each)	Qty	Watts (Each)	Qty	Watts (Each)	Qty	Watts (Each)	Qty	Watts (Each)	L1	L2	L3
4'	1	1153.0	1	1040.0	1	1040.0	1	925.0	1	1500.0	17.74	17.39	20.62
6'	2	845.0	2	763.0	---	---	2	680.0	2	1125.0	24.70	20.32	23.38

ELECTRICAL DATA						
Case Length	Control Fans			Heater Fans		
	Fans Per Case	208 Volts		Fans Per Case	208 Volts	
		Amps	Watts		Amps	Watts
4'	1	0.11	12.0	1	0.11	12.0
6'	1	0.11	12.0	2	0.22	24.0

LIGHTING DATA				
Case Length	Lights Per Row	Light Length	Fluorescent Lighting (Per Light Row)	
			Amps	Watts
4'	1	3'	0.11	12.0
6'	2	2'	0.22	24.0

## NOTES

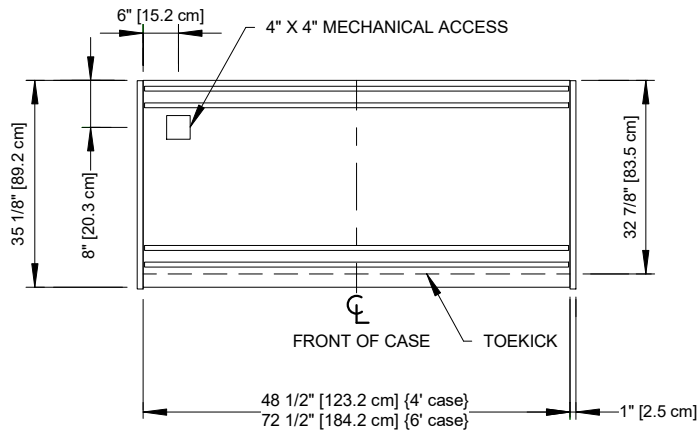
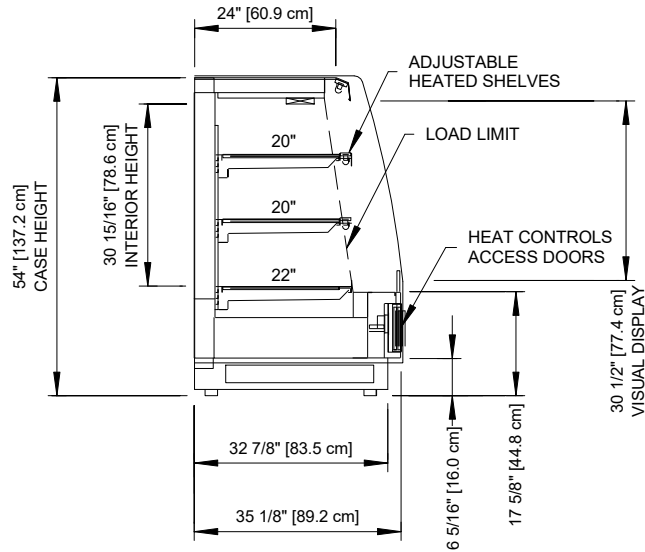
- "---" Indicates that the feature is not an option on this case model and/or the data is not yet available at this time.
- Lighting is not available on the bottom shelf.



ENGINEERED FOR STORES WITH AMBIENT CONDITIONS NOT TO EXCEED 75° AND 55% RELATIVE HUMIDITY. DUE TO ENGINEERING IMPROVEMENTS SPECIFICATIONS MAY CHANGE WITHOUT NOTICE. ALL MEASUREMENTS ARE TAKEN PER ASHRAE-72-2005 SPECIFICATIONS. HILLPHOENIX REFRIGERATED DISPLAY CASES FOR SALE IN THE UNITED STATES MEET OR EXCEED DEPARTMENT OF ENERGY 2017 REQUIREMENTS. NUMBERS ARE BASED ON STANDARD CASE SIZES. CONSULT ENGINEERING.

## PFH-C

Rev. Date	Rev. #	Rev. Title
02-27-19	3	NOTES UPDATE
02-05-19	2	DATA UPDATE



ENGINEERED FOR STORES WITH AMBIENT CONDITIONS NOT TO EXCEED 75° AND 55% RELATIVE HUMIDITY. DUE TO ENGINEERING IMPROVEMENTS SPECIFICATIONS MAY CHANGE WITHOUT NOTICE. ALL MEASUREMENTS ARE TAKEN PER ASHRAE-72-2005 SPECIFICATIONS. HILLPHOENIX REFRIGERATED DISPLAY CASES FOR SALE IN THE UNITED STATES MEET OR EXCEED DEPARTMENT OF ENERGY 2017 REQUIREMENTS. NUMBERS ARE BASED ON STANDARD CASE SIZES. CONSULT ENGINEERING.

### PFH-C

Rev. Date	Rev. #	Rev. Title
02-27-19	3	NOTES UPDATE
02-05-19	2	DATA UPDATE