

**Hillphoenix**

a **DOVER** company

**The  
SFC  
Group**

*Solutions for  
convenience sake*



## **PTD-RH**

### Self-Service Hot Dome Multi-Deck

Medium temperature merchandiser for sandwiches, salads, beverages, pizzas and hot foods.

## PTD-RH - Self-Service Hot Dome Multi-Deck

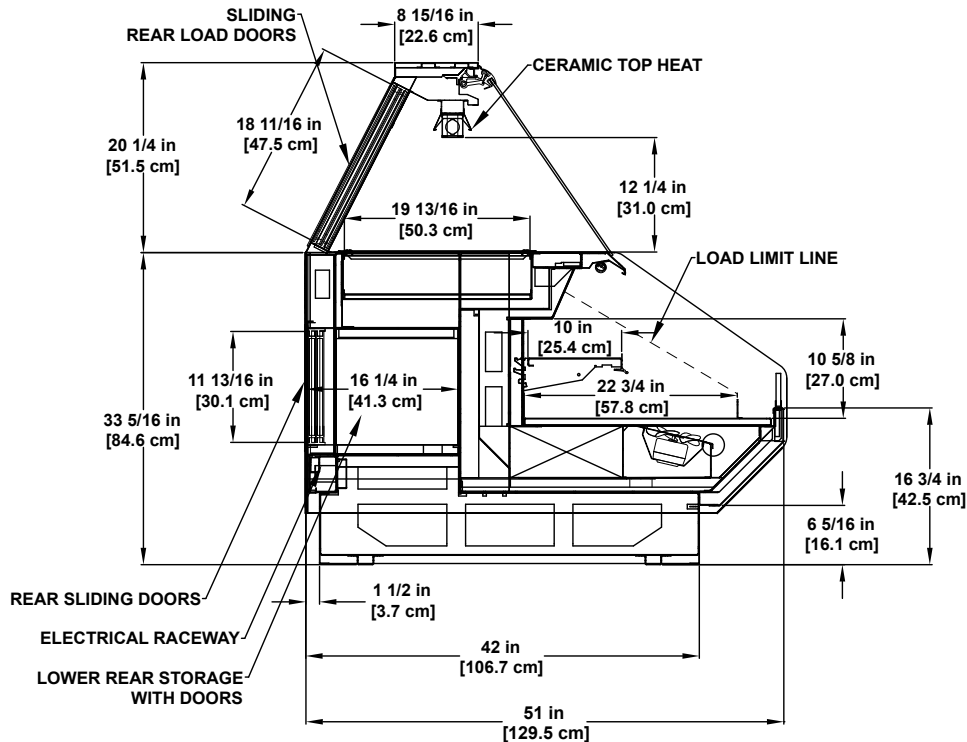


### Featured Laminates



### Base Model Features

- Available lengths – 4', 6', 8', 10' and 12'.
- Base dimensions: 34"H x 51"D.
- 20-1/4"H hot dome.
- Black painted metal exterior.
- Stainless steel outside back and dome top.
- Stainless steel interior in hot service dome.
- 2-1/2"D pan display (pans not included).
- Single-pane, regular-glare flat lift front glass.
- Matte black painted metal interior and trim for self-service.
- Solid end panels with mirror-polished stainless steel interior.
- Stainless steel exterior trim, base trim and outside back panel.
- 1 row of 10" non-lighted adjustable shelf: 0, 5 and 15° tilt.
- Aluminum price tag molding with 1/2" integrated product stop.
- 1 row high output LED Clearvoyant cornice light.
- Solar digital thermometer.
- Refrigeration:
  - High-efficiency fan motors.
  - Time-off defrost.
- Conforms to UL Standard 471, NSF Standard 7 and CAN/CSA C22.2.



2017  
**DOE**  
COMPLIANT

## Available Options

- 55" case depth.
- 38" base height.
- Exterior finish options: Stainless steel, additional paint colors and laminate.
- 1" bumper on front panel of case and mounted on bottom of front panel.
- 1" bumper added to end panels.
- White or stainless steel case interior.
- Vertical lift front glass dome.
- Removable hot tiles in dome.
- 1 additional row of shelving with PTM in the 38"H case option only.
- Under-shelf lighting: LED Clearvoyant.
- End panels: Full-view glass, common end panels or scalloped end panels.
- Dry rear storage with solid doors and grey door frames.
- Temperature control TStat.
- Solenoid.
- Temperature sensor.
- Self-contained refrigeration package.

Please consult Hillphoenix Engineering Reference Manual for dimensions, plan views and technical specifications. Specifications are subject to change without notice. Certified to UL 471 and ANSI/NSF standard 7.

Designed for optimal performance in store environments where temperatures and humidity do not exceed 75°F and 55%R.H.

## Fast Facts...

- Hot service dome with the refrigerated self-service display provides opportunities in a small footprint to allow for cross merchandising from hot foods to beverages.
- Easy-to-remove painted or stainless metal interior parts ensure ease of case cleaning piece-by-piece without tools for improved food safety, reduced labor costs, and a sanitary environment ready to be merchandised.

**Hillphoenix**

a **DOVER** company

2016 Gees Mill Road  
Conyers, GA 30013  
844.591.5937  
[www.hillphoenix.com](http://www.hillphoenix.com)

©2018 Hillphoenix, Inc.