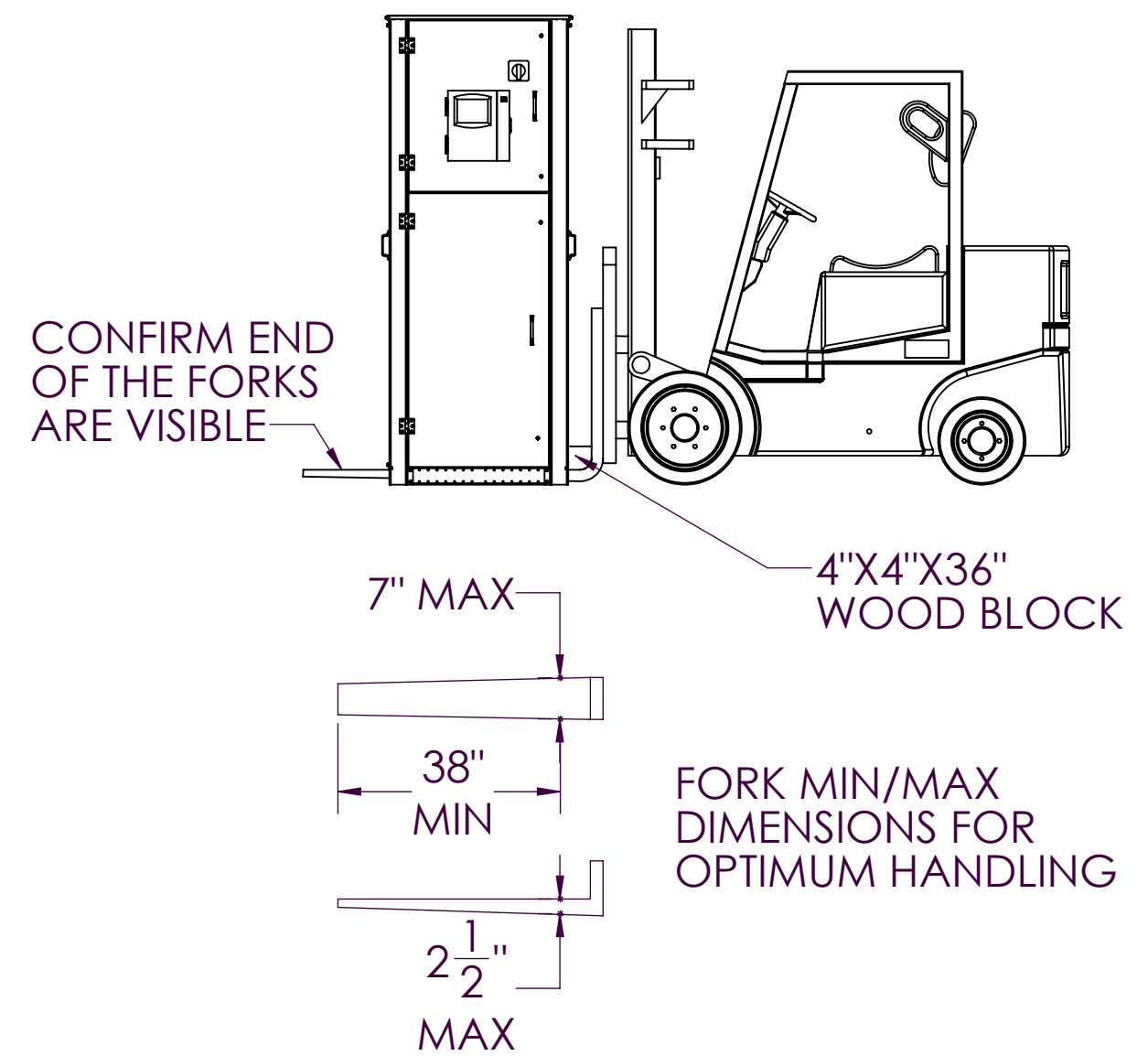


NOTE:  
1. REFRIGERATION STUBS ARE ONLY AVAILABLE AS REAR ACCESS AS SHOWN

### FORK LIFTING



MODEL	WEIGHT (LBS)	MT SUCTION LOOP	LT LIQUID LOOP	MT LIQUID LOOP	LIQUID LINE	LT SUCTION LOOP	MCA @208V	MOPD @208V
VIP-M0048-L0012	979	1-1/8	1/2	1-1/8	7/8	7/8	64.3	80.0
VIP-M0079-L0012	1013	1-3/8	1/2	1-1/8	7/8	7/8	77.9	100.0
VIP-M0106-L0012	1033	1-5/8	1/2	1-1/8	7/8	7/8	97.9	125.0
VIP-M0048-L0032	1100	1-1/8	7/8	1-1/8	7/8	1-3/8	86.8	100.0
VIP-M0079-L0032	1135	1-3/8	7/8	1-1/8	7/8	1-3/8	100.4	110.0
VIP-M0106-L0032	1152	1-5/8	7/8	1-1/8	7/8	1-3/8	120.2	150.0
VIP-M0048-L0052	1117	1-1/8	7/8	1-1/8	7/8	1-5/8	106.4	125.0
VIP-M0079-L0052	1149	1-3/8	7/8	1-1/8	7/8	1-5/8	120.0	150.0
VIP-M0106-L0052	1172	1-5/8	7/8	1-1/8	1-1/8	1-5/8	139.8	175.0

REVISION RECORD				ALL TOLERANCES UNLESS OTHERWISE SPECIFIED		P/N: AS00080599_SUBMITTAL		DRAWN BY: SMA	
REV	DATE	BY	DESCRIPTION	ALL BENDS 90° DEGREES ± 1°		ASSY, SUBMITTAL, DUAL, 4-COMP, VIPAK		ENG. APPROVAL:	
△				ALL FRACTIONAL DIM. ± 1/32		DATE: 12OCT2018		SCALE: (EXCEPT AS NOTED) 1:20	
△				3 PLC DECIMALS ± .010		SIZE: C		SHEET: 1 of 1	
△				2 PLC DECIMALS ± .03		THIRD ANGLE PROJECTION DO NOT SCALE DRAWING		Hillphoenix SYSTEMS - REFRIGERATION a DUKER COMPANY	
△				CAD FILE NAME: AS00080599_SUBMITTAL		709 SIGMAN ROAD • CONYERS, GA 30013		PHONE: (770) 285-3100 • FAX: (770) 285-3076	

THIS DOCUMENT CONTAINS INFORMATION WHICH HILL PHOENIX CONSIDERS TO BE CONFIDENTIAL OR PROPRIETARY. ALL RIGHTS ARE RESERVED UNLESS OTHERWISE STATED HEREIN.