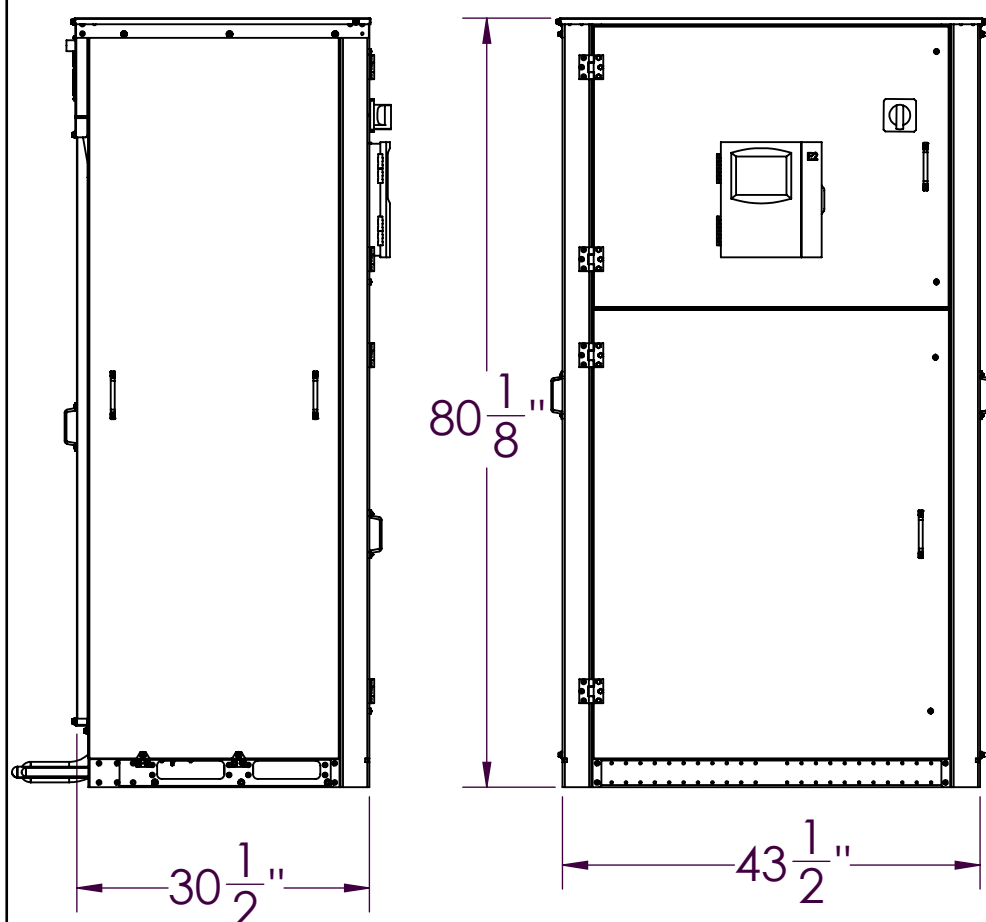
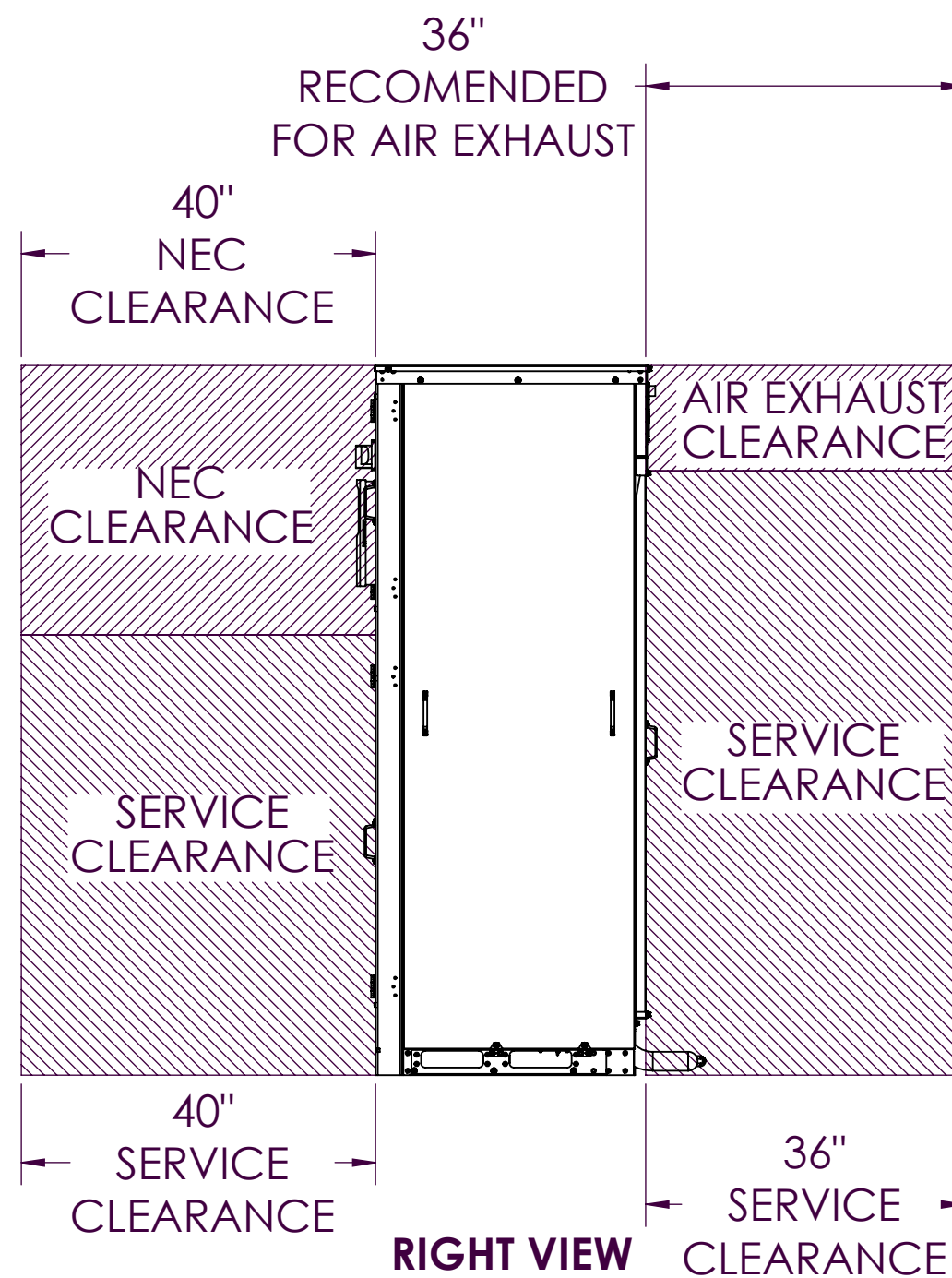


TOP VIEW

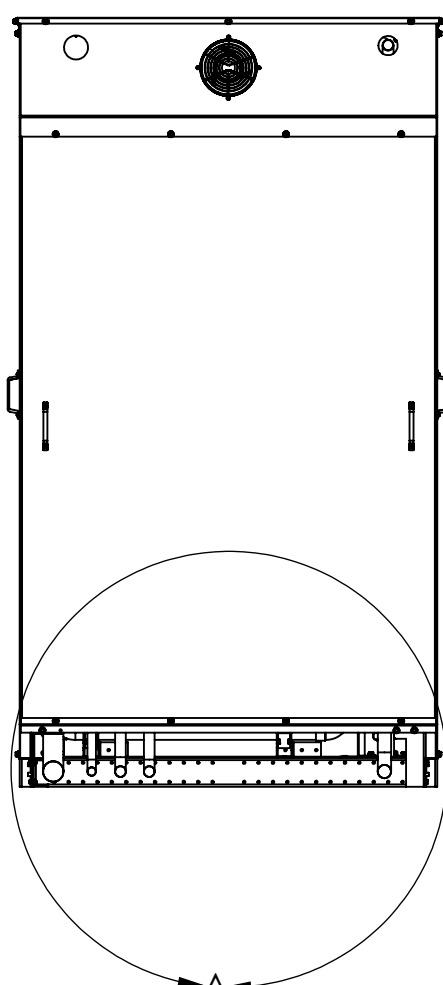
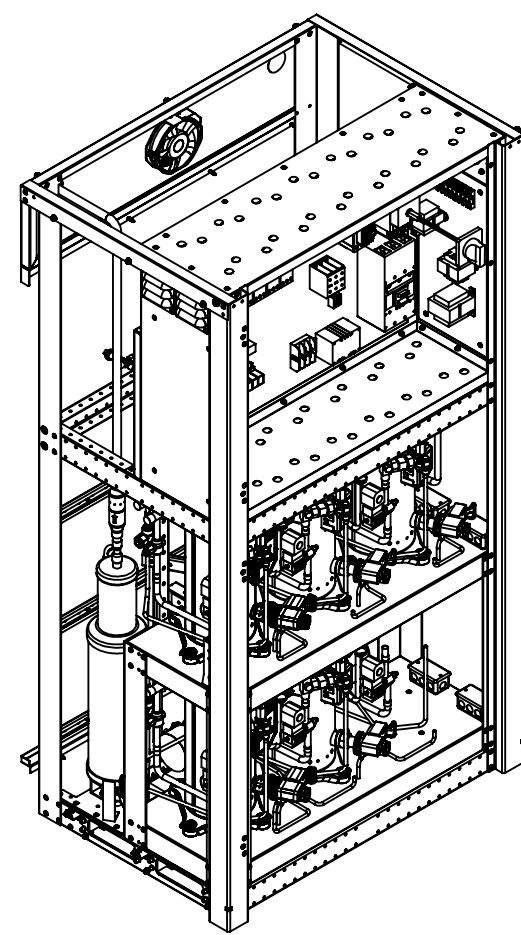
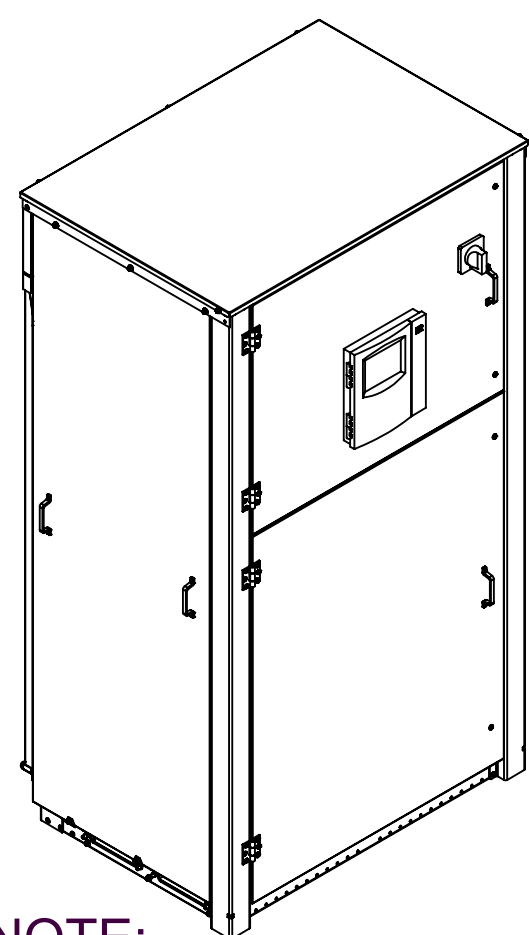


LEFT VIEW

FRONT VIEW



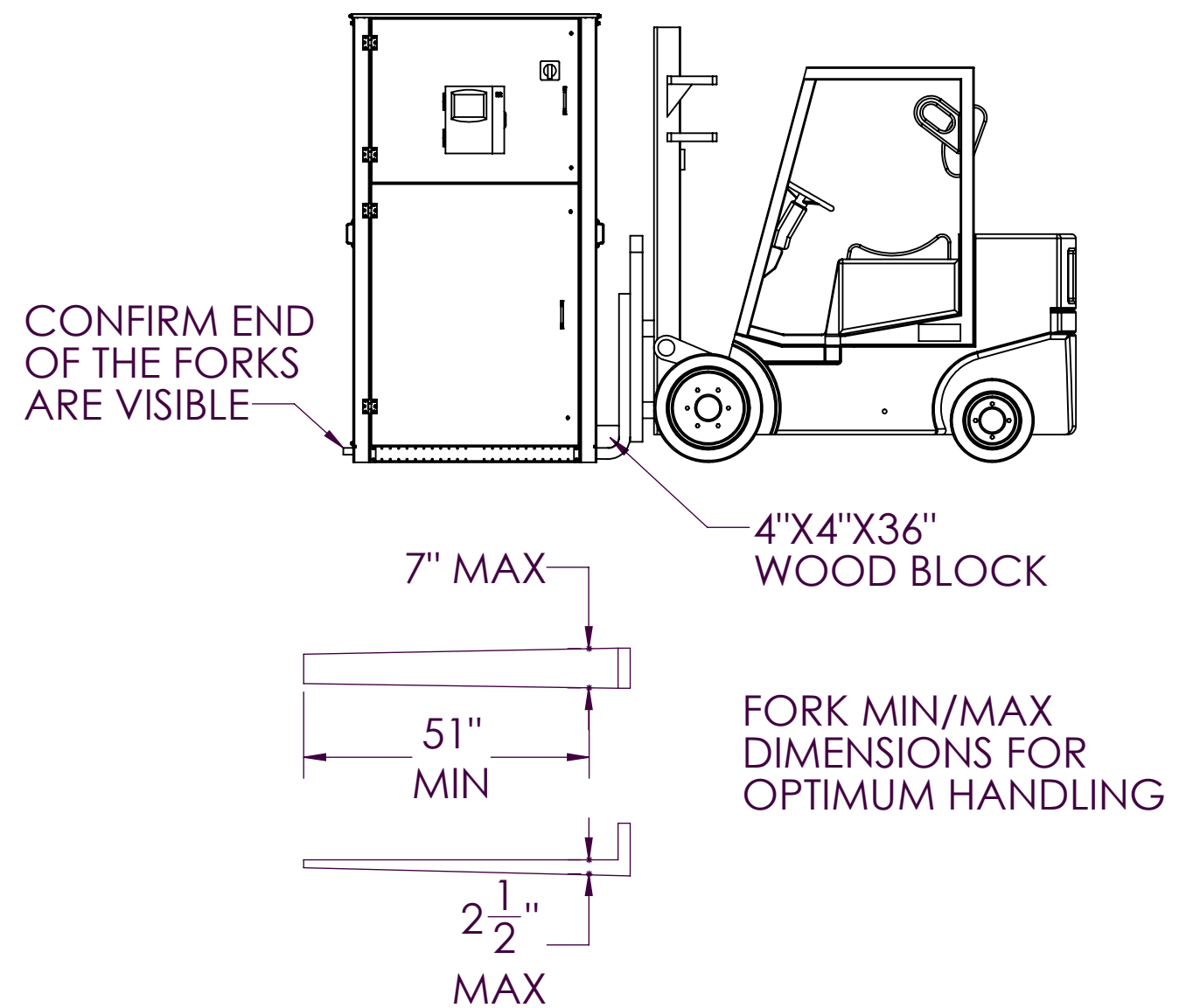
RIGHT VIEW



REAR VIEW

NOTE:
1. REFRIGERATION STUBS ARE ONLY AVAILABLE AS REAR ACCESS AS SHOWN

FORK LIFTING



MODEL	WEIGHT (LBS)	MT SUCTION LOOP	LT LIQUID LOOP	MT LIQUID LOOP	LIQUID LINE	LT SUCTION LOOP	MCA @208V	MOPD @208V
VIP-M0152-L0012	1266	2 1/8	1/2	1 1/8	1 1/8	7/8	120.2	150.0
VIP-M0178-L0012	1286	1 5/8	1/2	1 1/8	1 1/8	7/8	146.2	175.0
VIP-M0152-L0032	1376	2 1/8	7/8	1 1/8	1 1/8	1 3/8	142.7	175.0
VIP-M0048-L0076	1365	1 1/8	7/8	1 1/8	7/8	1 5/8	130.3	150.0
VIP-M0079-L0076	1403	1 3/8	7/8	1 1/8	1 1/8	1 5/8	143.9	175.0
VIP-M0106-L0076	1403	1 5/8	7/8	1 1/8	1 1/8	1 5/8	163.7	175.0
VIP-M0178-L0032	1397	1 5/8	7/8	1 1/8	1 1/8	1 3/8	175.6	200.0
VIP-M0152-L0052	1394	2 1/8	7/8	1 1/8	1 1/8	1 5/8	169.2	200.0
VIP-M0178-L0052	1413	1 5/8	7/8	1 1/8	1 1/8	1 5/8	195.2	225.0
VIP-M0152-L0076	1507	2 1/8	7/8	1 1/8	1 1/8	1 5/8	193.1	225.0
VIP-M0178-L0076	1566	1 5/8	7/8	1 1/8	1 1/8	1 5/8	219.1	250.0
VIP-M0108-L0090	1460	2 1/8	7/8	7/8	1 1/8	2 5/8	169.0	175.0
VIP-M0131-L0095	1488	2 1/8	7/8	7/8	1 1/8	2 5/8	182.0	200.0
VIP-M0161-L0095	1582	2 1/8	7/8	7/8	1 1/8	2 5/8	196.0	225.0
VIP-M0221-L0052	1510	2 5/8	5/8	7/8	1 1/8	2 1/8	184.0	200.0
VIP-M0221-L0062	1526	2 5/8	5/8	7/8	1 3/8	2 1/8	193.0	225.0
VIP-M0221-L0095	1651	2 5/8	7/8	7/8	1 3/8	2 1/8	226.0	250.0

REVISION RECORD				ALL TOLERANCES UNLESS OTHERWISE SPECIFIED		P/N: AS00080600_SUBMITTAL		DRAWN BY: SMA	
REV	DATE	BY	DESCRIPTION	ALL BENDS 90° DEGREES ± 1°		ASSY.SUBITTAL,DUAL,6-COMP,VIPAK		ENG. APPROVAL:	
△				ALL FRACTIONAL DIM. ± 1/32		Hillphoenix SYSTEMS - REFRIGERATION • DUVER COMPANY 709 SIGMAN ROAD • CONYERS, GA 30013 PHONE: (770) 285-3100 • FAX: (770) 285-3076		DATE: 12OCT2018	
△				3 PLC DECIMALS ± .010				SCALE: (EXCEPT AS NOTED) 1:20	
△				2 PLC DECIMALS ± .03				SIZE: C	
△				THIRD ANGLE PROJECTION DO NOT SCALE DRAWING		SHEET: 1 of 1		THIS DOCUMENT CONTAINS INFORMATION WHICH HILL PHOENIX CONSIDERS TO BE CONFIDENTIAL OR PROPRIETARY. ALL RIGHTS ARE RESERVED UNLESS OTHERWISE STATED HEREIN.	