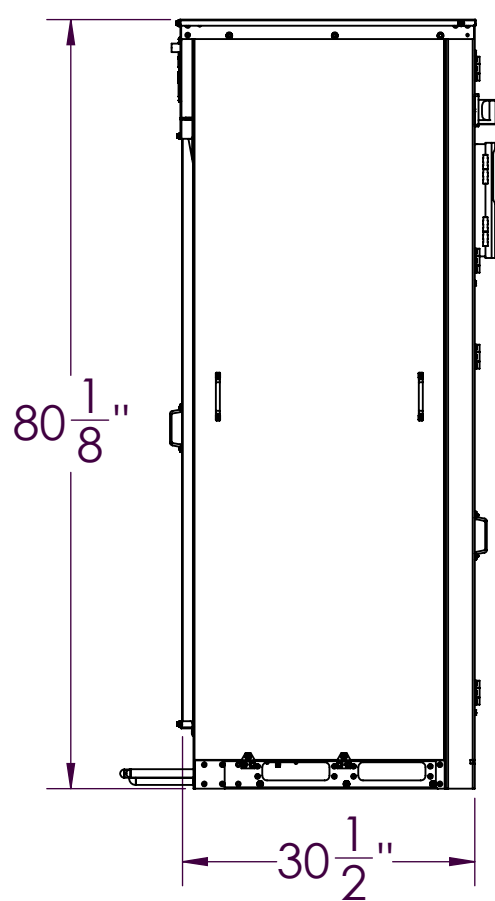
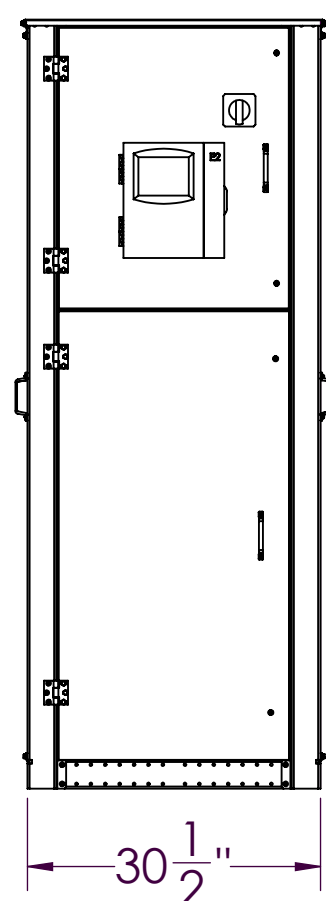


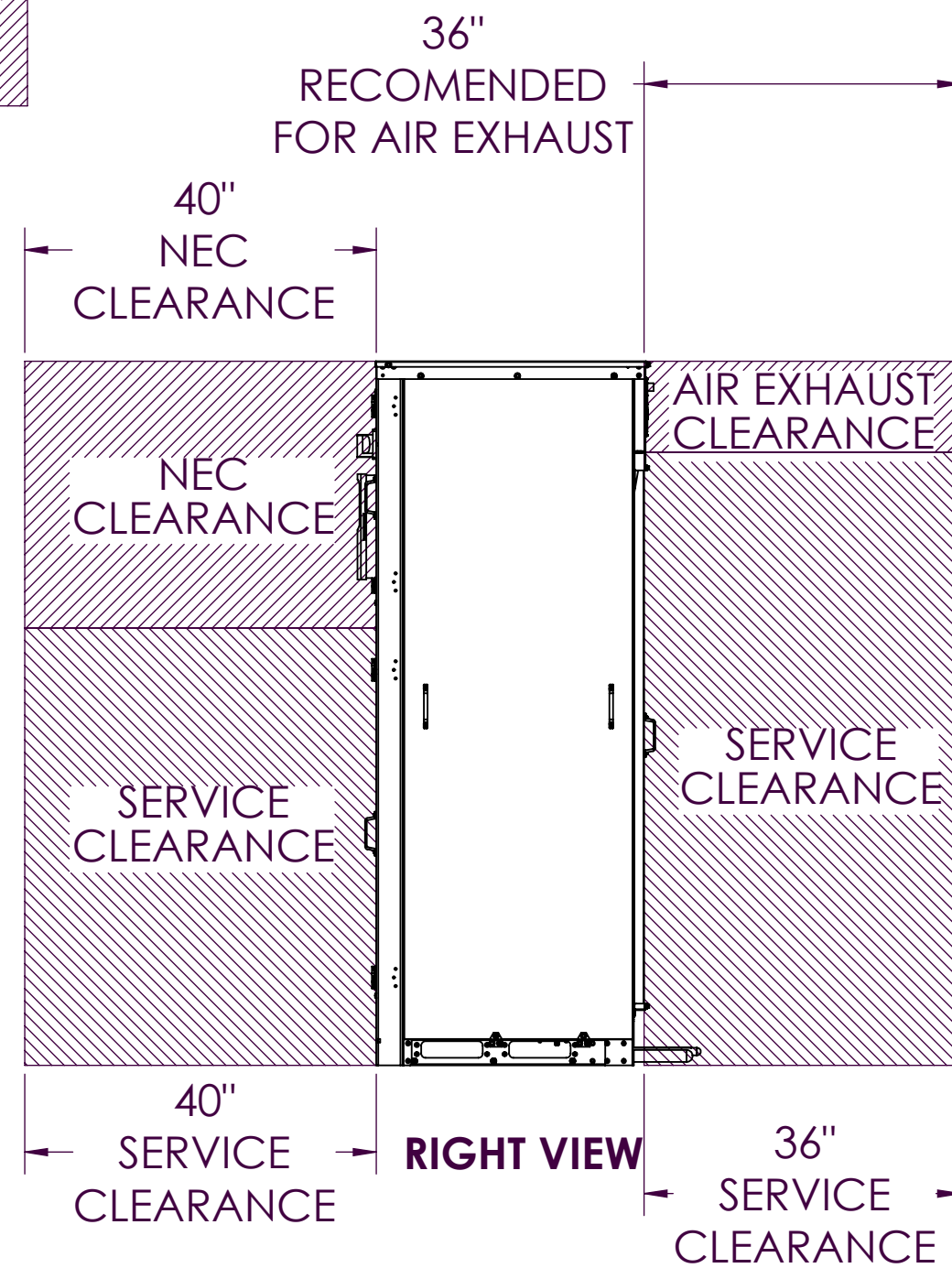
TOP VIEW



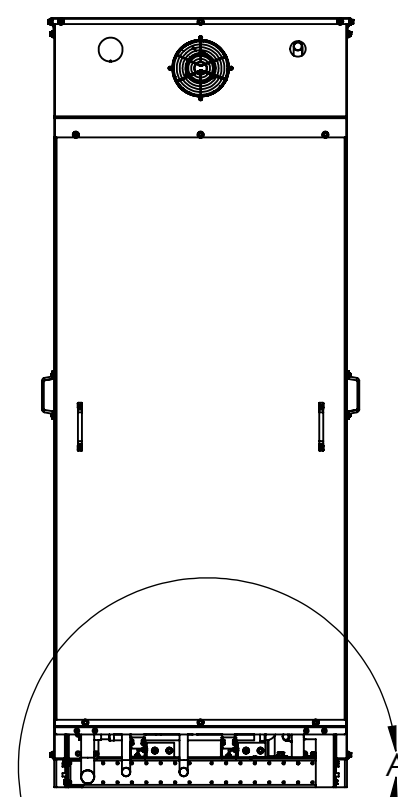
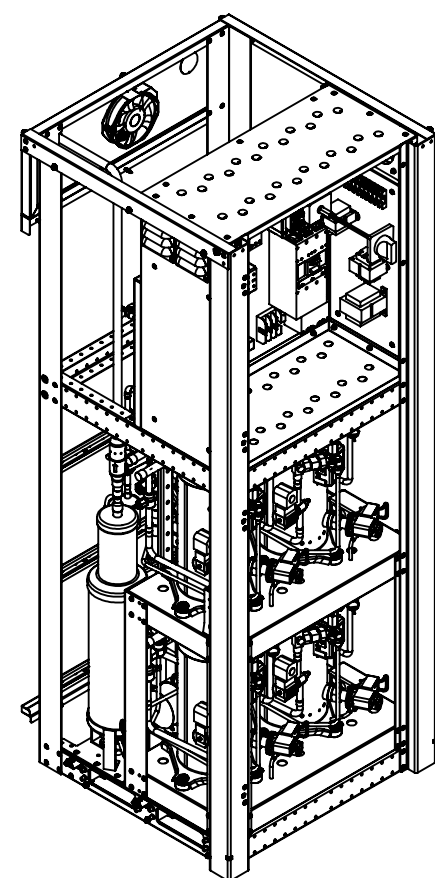
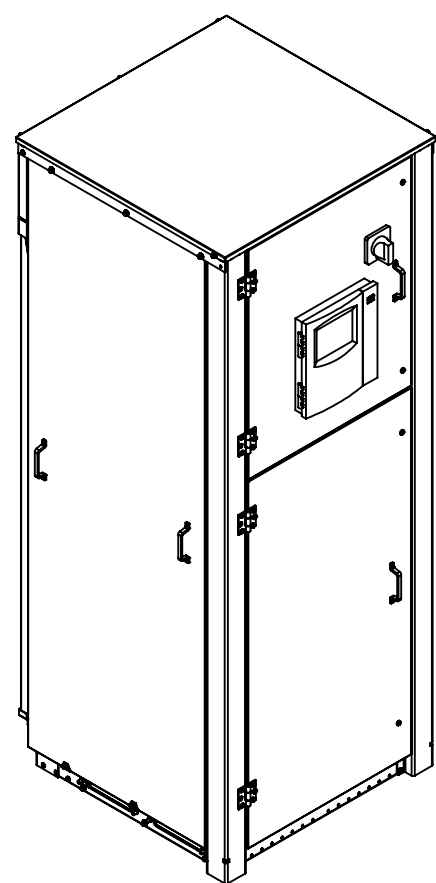
LEFT VIEW



FRONT VIEW

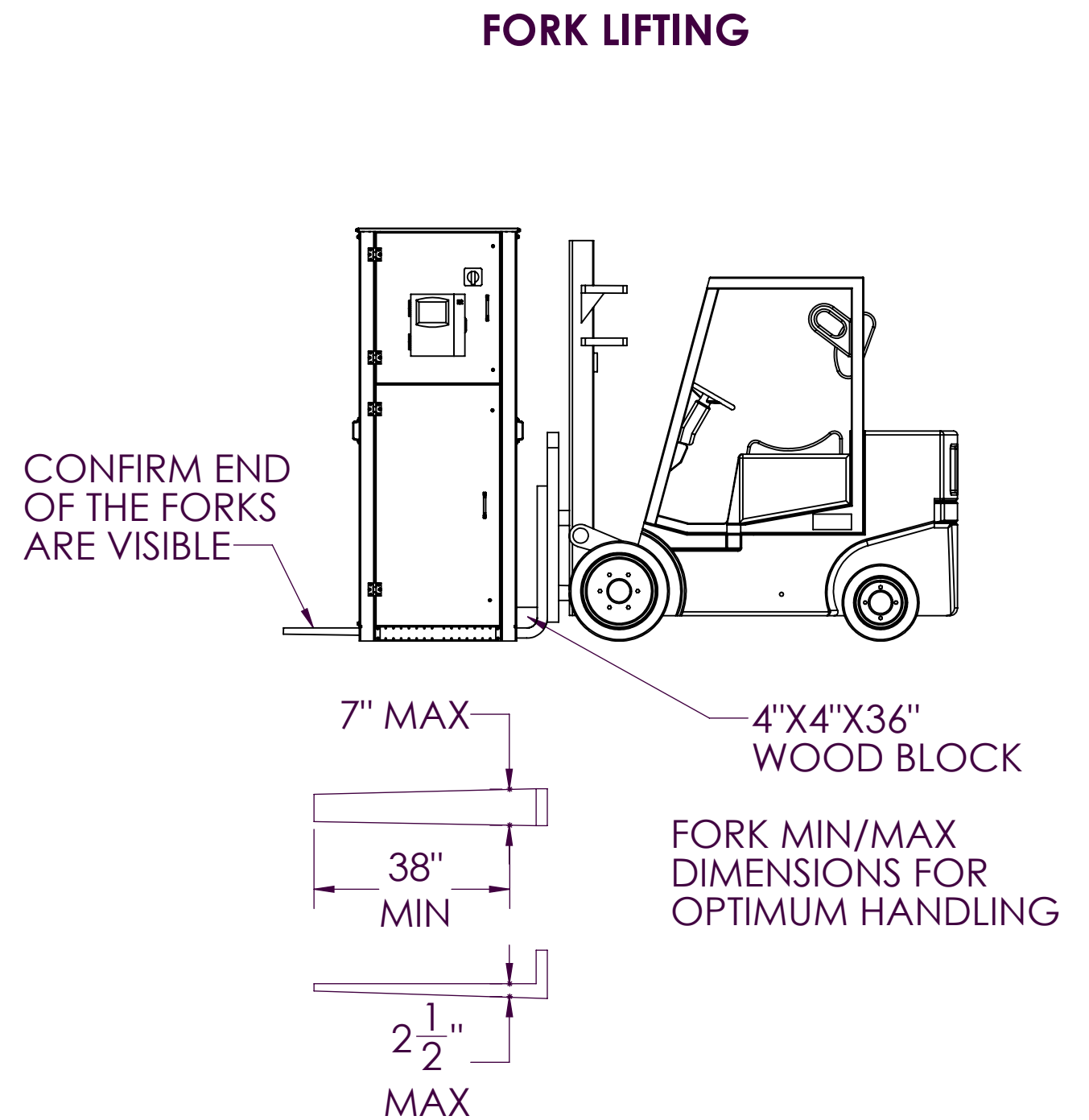


RIGHT VIEW



REAR VIEW

NOTE:
1. REFRIGERATION STUBS ARE ONLY AVAILABLE AS REAR ACCESS AS SHOWN



MODEL	WEIGHT (LBS)	SUCTION LOOP	LIQUID LOOP	LIQUID LINE	MCA @208V	MOPD @208V
VIP-M0000-L0032	902	1-3/8	7/8	7/8	62.2	80.0
VIP-M0000-L0052	915	1-5/8	7/8	7/8	81.8	110.0
VIP-M0000-L0076	1036	1-5/8	7/8	7/8	105.7	125.0
VIP-M0000-L0099	1158	2-1/8	7/8	1-1/8	129.6	150.0

REVISION RECORD			ALL TOLERANCES UNLESS OTHERWISE SPECIFIED		P/N: AS00080570_SUBMITTAL		DRAWN BY: SMA
REV	DATE	BY	DESCRIPTION	ALL BENDS 90°	DEGREES ± 1°	ALL FRACTIONAL DIM. ± 1/32	ENG. APPROVAL:
△				3 PLC DECIMALS ± .010	2 PLC DECIMALS ± .03	THIRD ANGLE PROJECTION	DATE: 12OCT2018
△				DO NOT SCALE DRAWING			SCALE: (EXCEPT AS NOTED) 1:20
△							SIZE: C
△							SHEET: 1 of 1

THIS DOCUMENT CONTAINS INFORMATION WHICH HILL PHOENIX CONSIDERS TO BE CONFIDENTIAL OR PROPRIETARY. ALL RIGHTS ARE RESERVED UNLESS OTHERWISE STATED HEREIN.

Hillphoenix
SYSTEMS - REFRIGERATION • **DOVER** COMPANY
709 SIGMAN ROAD • CONYERS, GA 30013
PHONE: (770) 285-3100 • FAX: (770) 285-3076