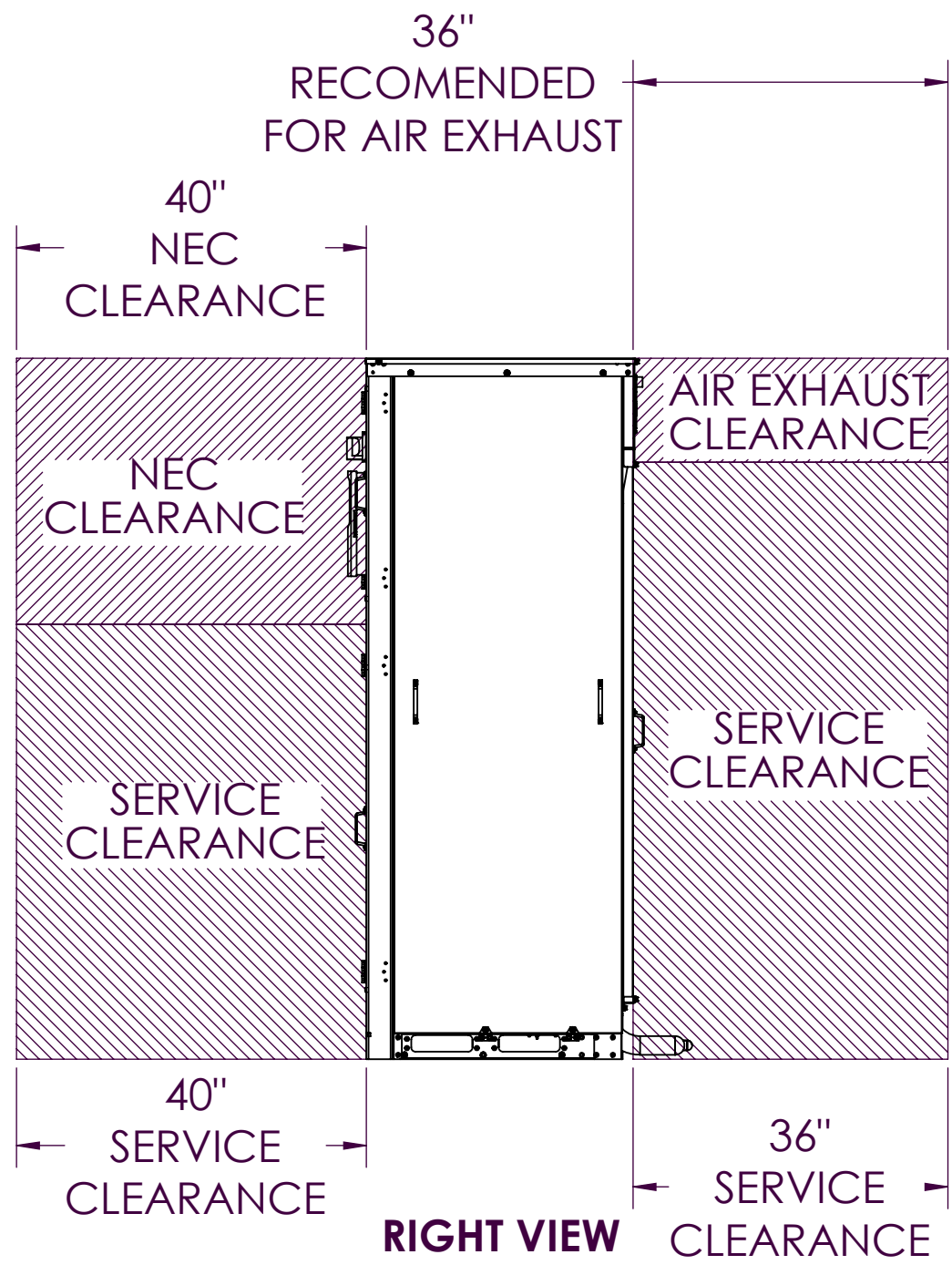
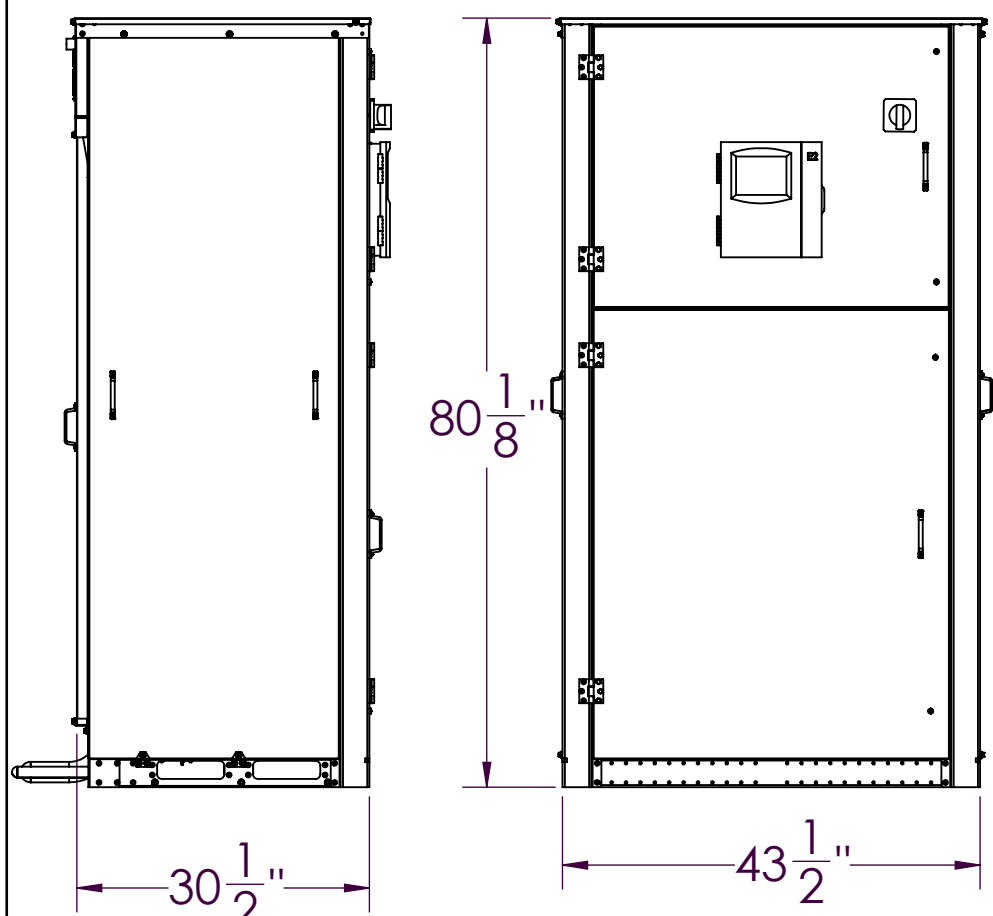


TOP VIEW

DETAIL A
SCALE 1 : 8

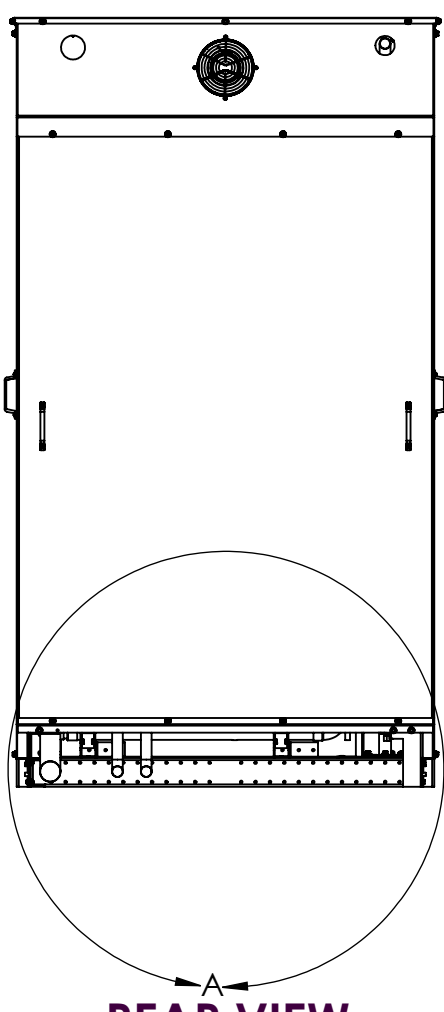
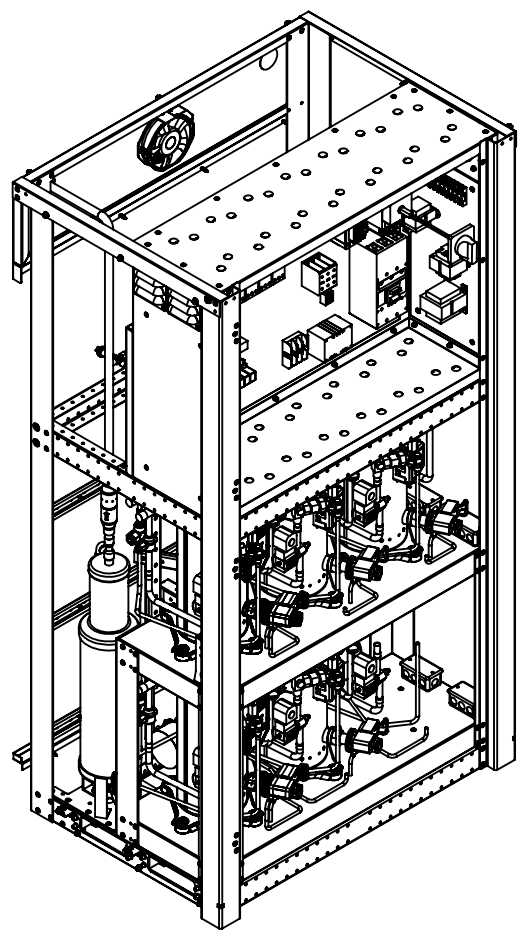
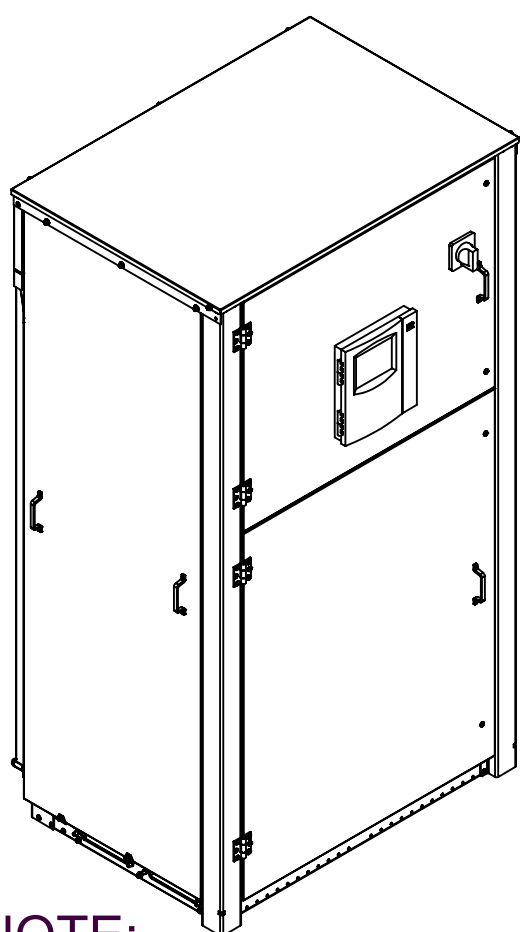


RIGHT VIEW

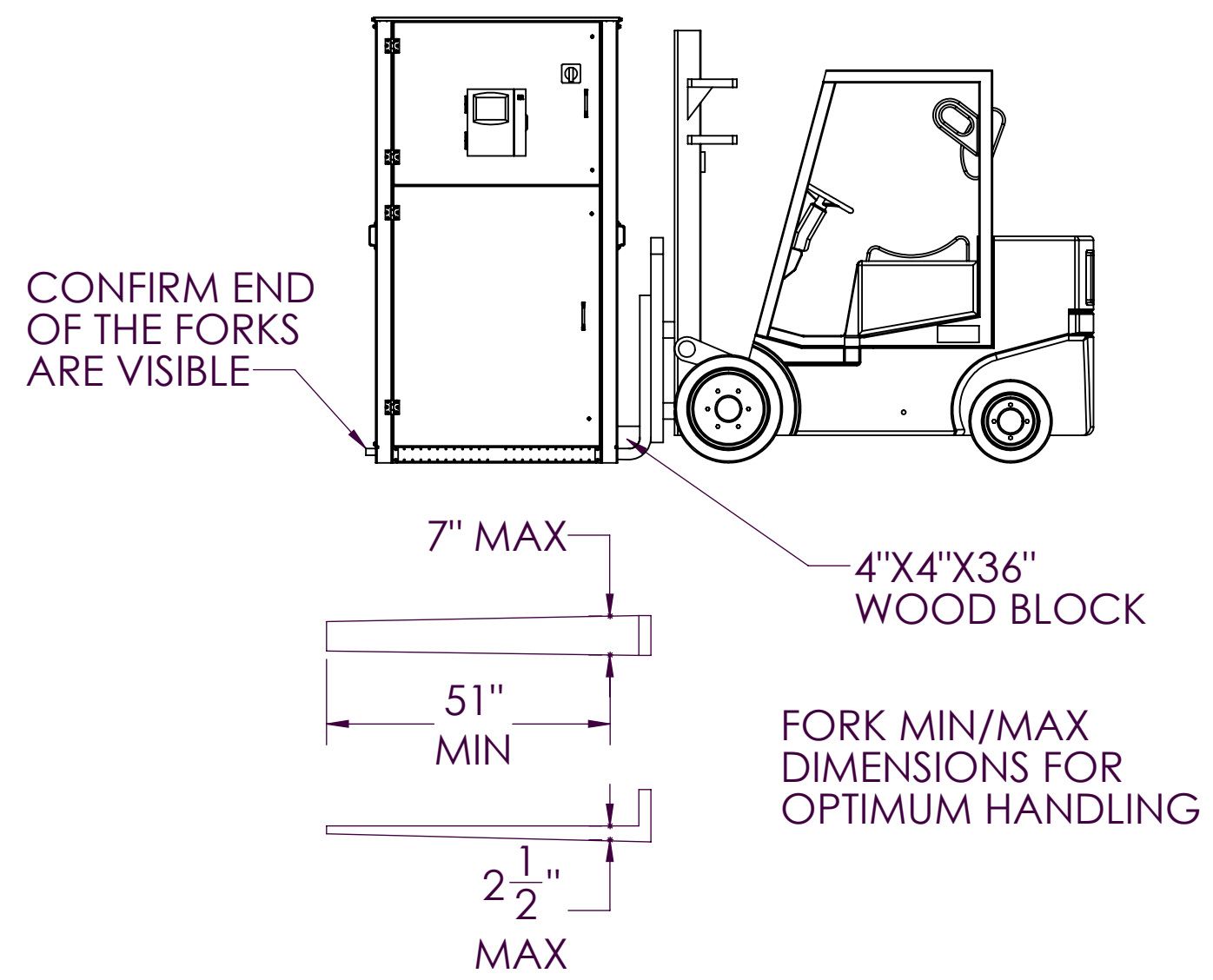


LEFT VIEW

FRONT VIEW



FORK LIFTING



MODEL	WEIGHT (LBS)	MT LIQUID LOOP	LIQUID LINE	MT SUCTION LOOP	MCA @208V	MOPD @208V
VIP-M0253-L0000	1325	1 1/8	1 1/8	2 1/8	185.5	200.0
VIP-M0299-L0000	1429	1 1/8	1 1/8	2 1/8	208.0	225.0
VIP-M0349-L0000	1517	1 1/8	1 3/8	3 1/8	194.0	225.0
VIP-M0403-L0000	1399	1 1/8	1 3/8	3 1/8	232.0	250.0
VIP-M0442-L0000	1556	1 1/8	1 3/8	3 1/8	240.0	250.0

NOTE:
1. REFRIGERATION STUBS ARE ONLY AVAILABLE AS REAR ACCESS AS SHOWN

REVISION RECORD			ALL TOLERANCES UNLESS OTHERWISE SPECIFIED		P/N: AS00080602_SUBMITTAL	
REV	DATE	BY	DESCRIPTION			DRAWN BY: SMA
△						ENG. APPROVAL:
△						DATE: 12OCT2018
△						SCALE: (EXCEPT AS NOTED) 1:20
△						SIZE: C
△						SHEET: 1 of 1

ALL BENDS 90°
DEGREES ± 1°
ALL FRACTIONAL DIM. ± 1/32
3 PLC DECIMALS ± .010
2 PLC DECIMALS ± .03

THIRD ANGLE PROJECTION
DO NOT SCALE DRAWING

CAD FILE NAME: AS00080602_SUBMITTAL

Hillphoenix
SYSTEMS - REFRIGERATION • **DOVER** COMPANY
709 SIGMAN ROAD • CONYERS, GA 30013
PHONE: (770) 285-3100 • FAX: (770) 285-3076

THIS DOCUMENT CONTAINS INFORMATION WHICH HILL PHOENIX CONSIDERS TO BE CONFIDENTIAL OR PROPRIETARY. ALL RIGHTS ARE RESERVED UNLESS OTHERWISE STATED HEREIN.