

This DX service dome with self-service front display is designed for many applications, including bakery, deli, coffee venues and convenience store applications. Lines up with the BLF series.

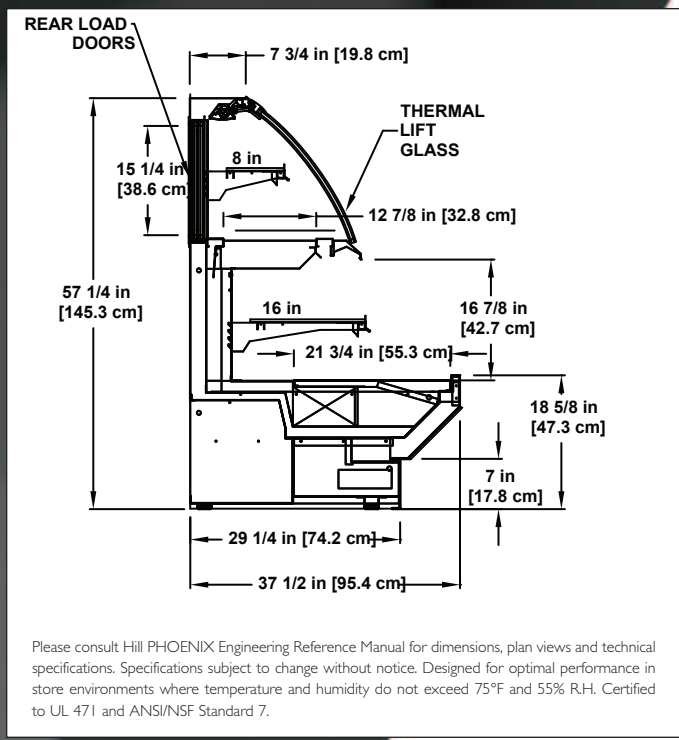
## Curved Glass Service Dome

# BLF-CR

*Service Dome/One Shelf Self-Service  
Meat, Cheese and Salads*



**Hill PHOENIX**  
SPECIALTY PRODUCTS



**Cross Section**

**Available Options:**

- Six merchandising lengths available: 4', 5', 6.5', 8', 9.5' or 12'.
- Non-glare glass provides optimum product viewing under any lighting condition. Also available in standard glass.
- Innovative Clearvoyant™ LED lighting option increases visual impact of product while reducing energy consumption and released heat in case.
- Solid insulated or full-view ends available.
- Remote or self-contained.
- 8" deep lighted shelf in service dome.
- Self-service is available with one shelf in depths of 12", 14" and 16".
- Easy to service and clean.
- Glass and metal shelves available.
- Dry or refrigerated service dome.
- Top sill is available in stainless steel, solid surface or granite.
- Exterior available in painted metal, stainless steel and laminated finishes.

**Features and Benefits:**

- Unique design ensures uniform case performance and lower average product temperatures with optimum energy efficiency.
- All-steel construction for increased life span and structural integrity.
- Seamless tank liner provides positive drain runoff and enhanced sanitation.
- Curved front glass lifts up for easy restocking and display arrangement.



703 Franklin Street, P.O.Box 478, Keosauqua, Iowa 52565  
 319/293-3777 phone • 319/293-3776 fax  
 website: www.hillphoenix.com  
 e-mail: marketing-specialty@hillphoenix.com