

# Service Single-Deck Hot Well Merchandiser w/ Flat Lift Glass

## DLP HOT - 4', 6', 8', 10', 12', EW-90, & IW-90

### Service

Model		Top Heaters		Bottom Heaters		Lights		Shelves		Total Amps (120/208-1-60)	Total Amps (120/208-3-60)		
		Qty	Watts (each)	Qty	Watts (each)	Qty	Watts (each)	Qty	Watts (each)		L1	L2	L3
DLPH	4'	3	250	2	600	2	100	---	---	---	9.38	4.7	5.76
	6'	4	250	3	600	3	100	---	---	---	9.13	11.19	8.56
	8'	6	250	4	600	4	100	---	---	---	12.98	13.1	13.46
	10'	7	250	5	600	5	100	---	---	---	17.04	17.76	13.44
	12'	8	250	6	600	6	100	---	---	---	21.12	19.2	19.5
	EW-90	---	---	---	---	---	---	---	---	---	---	---	---
	IW-90	---	---	---	---	---	---	---	---	---	---	---	---

### Electrical Data

Model		Fans per Case	Convection Fans	
			208 Volts	
			Amps	Watts
DLPH	4'	2	0.06	14
	6'	3	0.09	21
	8'	4	0.12	28
	10'	4	0.12	28
	12'	5	0.15	35
	EW-90	---	---	---
	IW-90	---	---	---

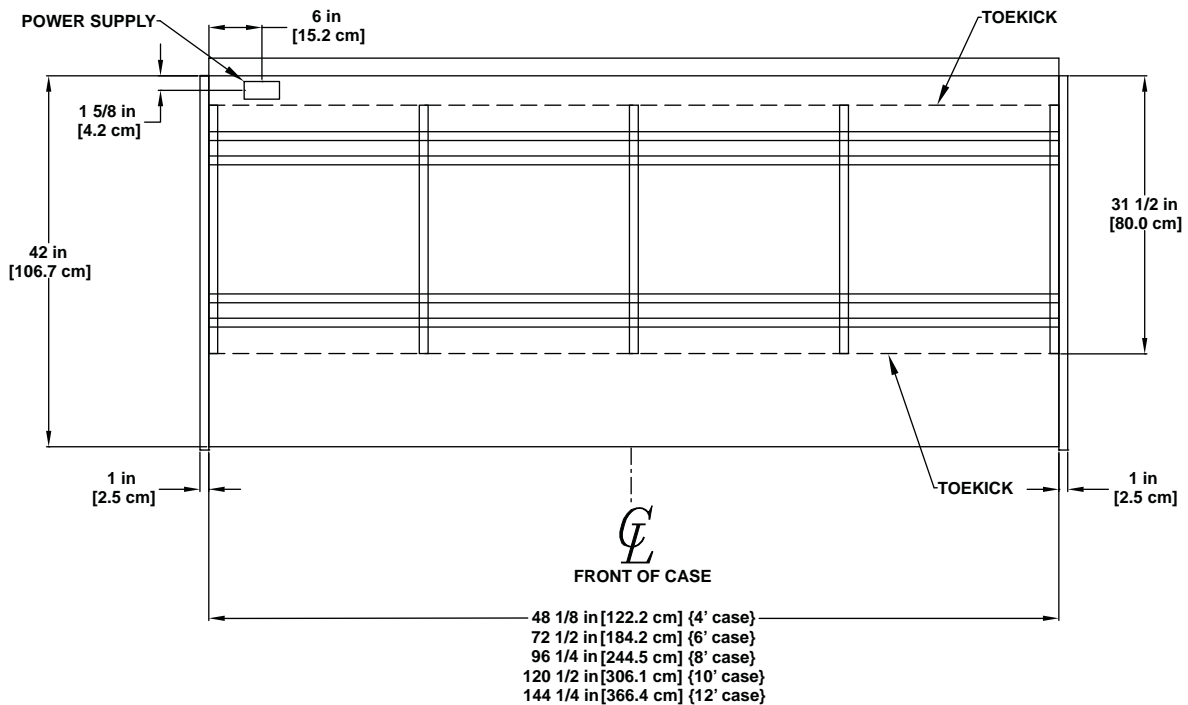
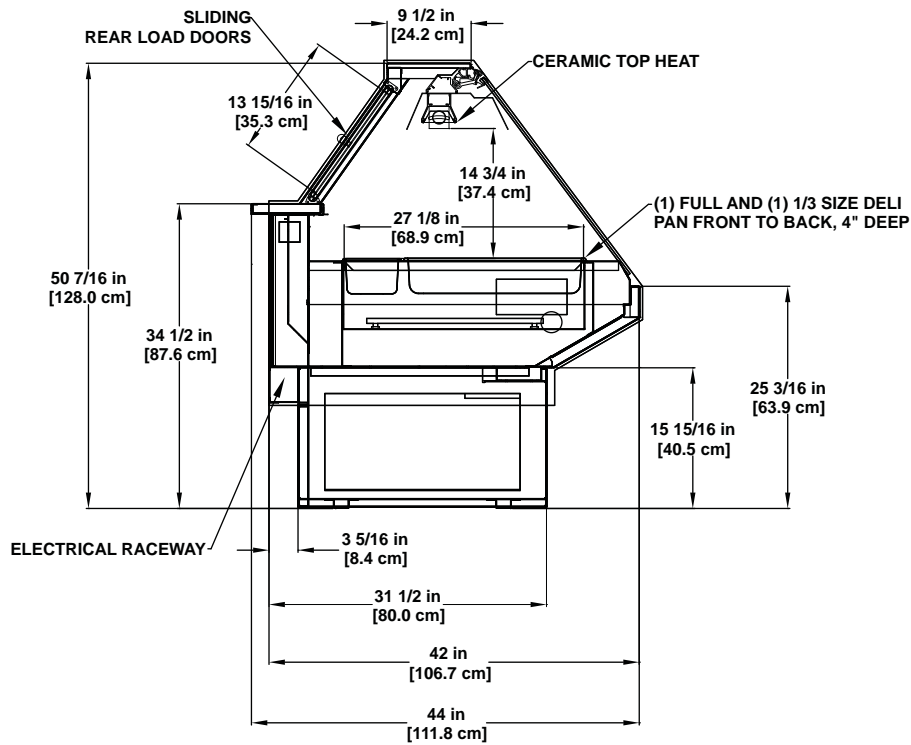
### Lighting Data

Model		Lights per Row	Light Length (ft)	Incandescent Lighting (Per Light Row)	
				Amps	Watts
DLP-H	4'	2	---	0.83	100
	6'	3	---	1.26	150
	8'	4	---	1.68	200
	10'	5	---	2.1	250
	12'	6	---	2.52	300
	EW-90	---	---	---	---
	IW-90	---	---	---	---

1 NOTE: "---" indicates data not applicable.

Engineered for stores with ambient conditions not to exceed 75° and 55% relative humidity.  
 Due to engineering improvements specifications may change without notice.  
 All measurements are taken per ASHRAE - 72 - 2005 specifications.  
 Numbers are based on standard case sizes. Consult engineering.





SERVICE  
SINGLE-DECK  
Deli