

Wide American Style Curved Glass Service Deli Merchandiser

OWSA

Electrical Data

MODEL	Volts	Fans per Case	Standard Fans		High Efficiency Fans		Anti-Condensate Heaters		Defrost Heaters			
			120 Volts		120 Volts		120 Volts		208 Volt		240 Volt	
			Amps	Watts	Amps	Watts	Amps	Watts	Amps	Watts	Amps	Watts
OWSA-8	120	3	1.02	51	.45	33	2.11	253	3.85	800	4.44	1065
OWSA-12	120	4	1.36	68	.60	44	2.93	352	5.77	1200	6.67	1600

Lighting Data

MODEL	Volts	Bulbs per Row	Bulb Length	Typical Light per Row		Maximum Lighting	
				120 Volts		120 Volts	
				Amps	Watts	Amps	Watts
OWSA-8	120	2	4	.47	56	2.33	280
OWSA-12	120	3	4	.70	84	3.5	420

Guidelines & Control Settings

Model	BTUH/ft (PARALLEL)	Evaporator (°F)	Superheat Set Point @ Bulb (°F)	Discharge Air (°F)	Return Air (°F)	Discharge Air Velocity (FPM)†
OWSA (ALL)	370	22°	6-8°	31°	40°	245

Defrost Controls

Model	Defrosts per Day	Run-Off Time (Min)	Electric Defrost		Time Off Defrost		Hot Gas Defrost		Reverse Air Defrost	
			Fail-safe (min.)	Termination Temp.(°F)	Fail-safe (min.)†	Termination Temp.(°F)†	Fail-safe (min.)	Termination Temp.(°F)	Fail-safe (min.)‡	Termination Temp.(°F)‡
OWSA (ALL)	2	6-8	35	50°	75	50°	20	45°	---	---

† Not Recommended on this model due to long defrost times.

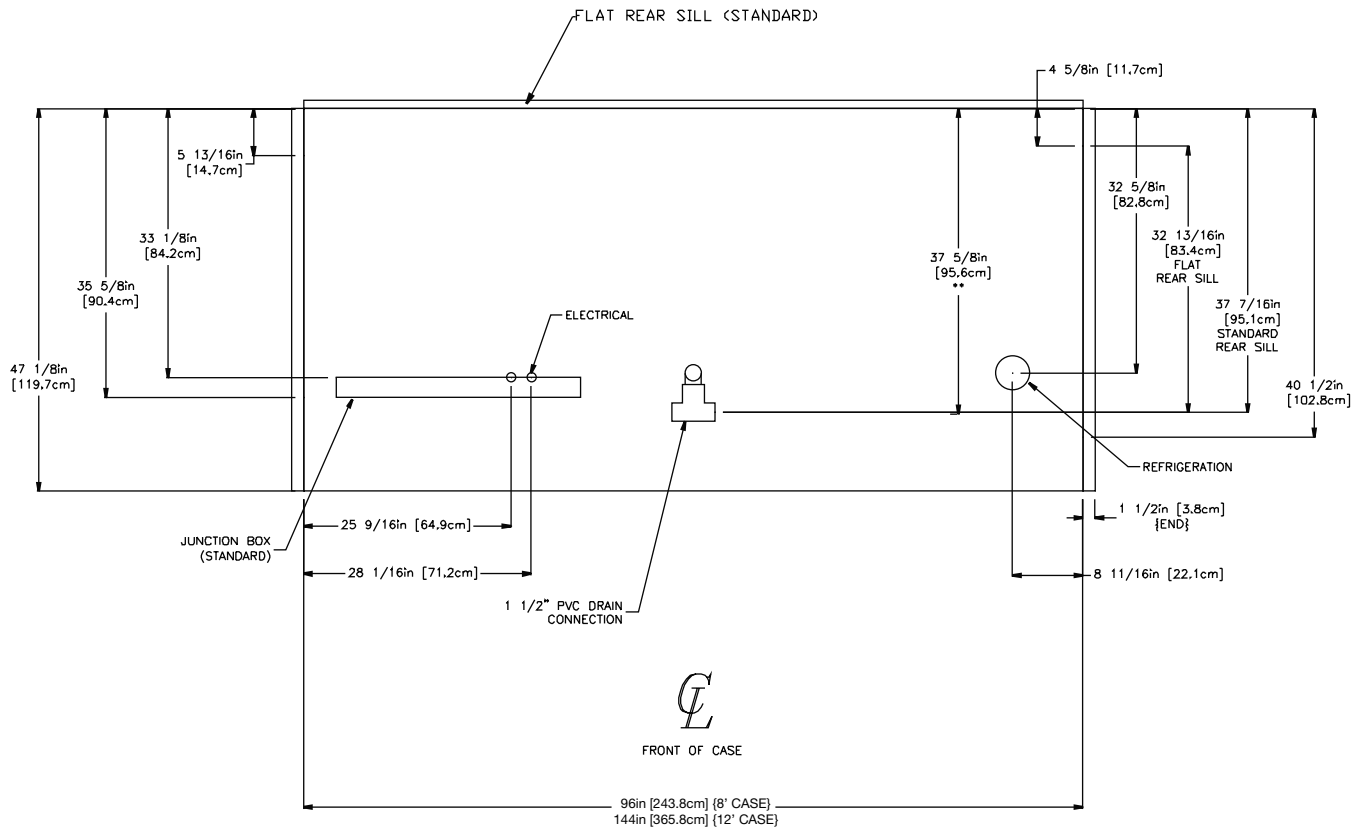
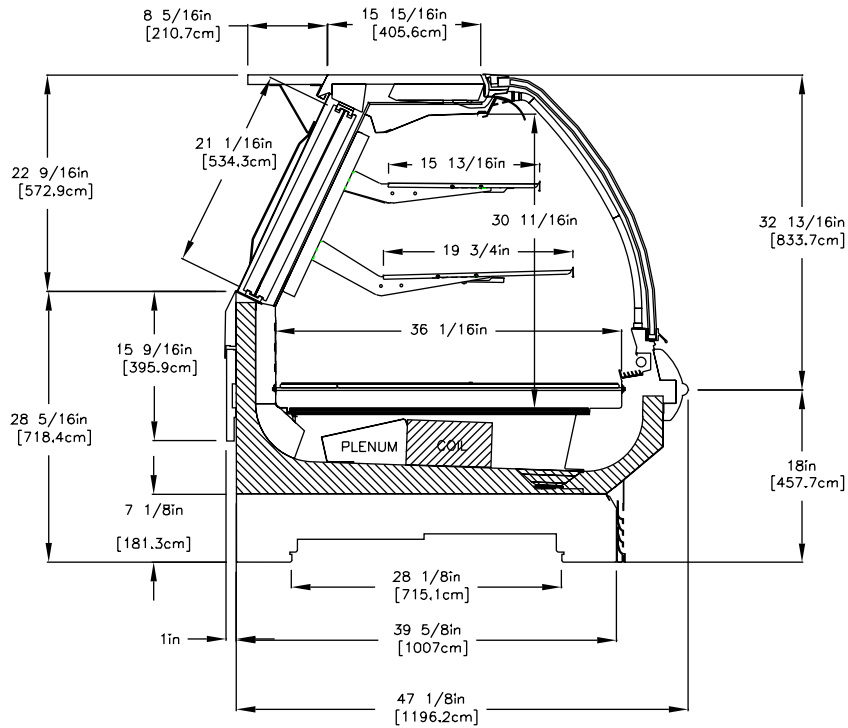
‡ Not an option

Medium Temperature Defrost Schedule

No. Per Day	Hours
1	10pm
2	6 am - 10 pm**

**Or immediately after store closing hour

All measurements are taken per ARI 1200 - 2002 specifications.



NOTES:

- * : STUB-UP AREA
- ** : RECOMMENDED STUB-UP CENTERLINE FOR ELECTRICAL AND HUB DRAINS
- ENDS ADD APPROXIMATELY 1" TO CASE HEIGHT
- SUCTION LINE - 7/8", LIQUID LINE - 1/2"
- AVAILABLE SHELF SIZES: 16" & 20"