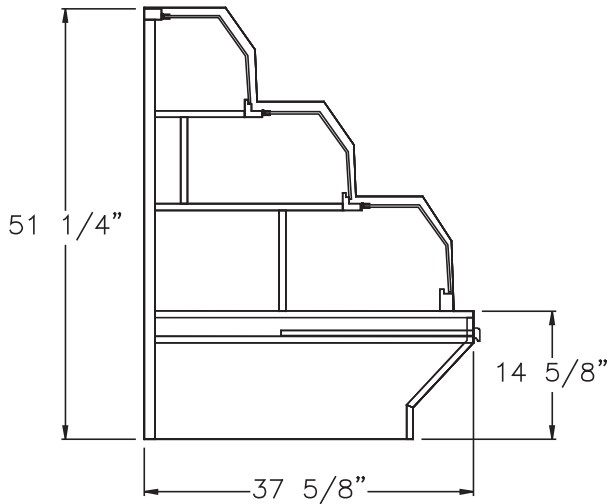


Model Number: BLF-48 BB, BLF-77 BB, BLF-96 BB, BLF-120 BB, BLF-144 BB
Consult factory for CAD Library

SPECIALTY
PRODUCTS

SERVICE
Bakery

BLF-BB Standard Case



DUE TO ENGINEERING IMPROVEMENTS SPECIFICATIONS MAY CHANGE WITHOUT NOTICE.

Dimensions Without Ends Add 1" for each end to overall width of case

Model	W x D x H
BLF-48 BB	48 X 37 5/8 X 51 1/4
BLF-72 BB	72 X 37 5/8 X 51 1/4
BLF-96 BB	96 X 37 5/8 X 51 1/4
BLF-120 BB	120 1/2 X 37 5/8 X 51 1/4
BLF-144 BB	144 X 37 5/8 X 51 1/4

Ship Weights (approximate)

BLF-48BB	510
BLF-77BB	742
BLF-96BB	1020
BLF-120BB	1250
BLF-144BB	1383