

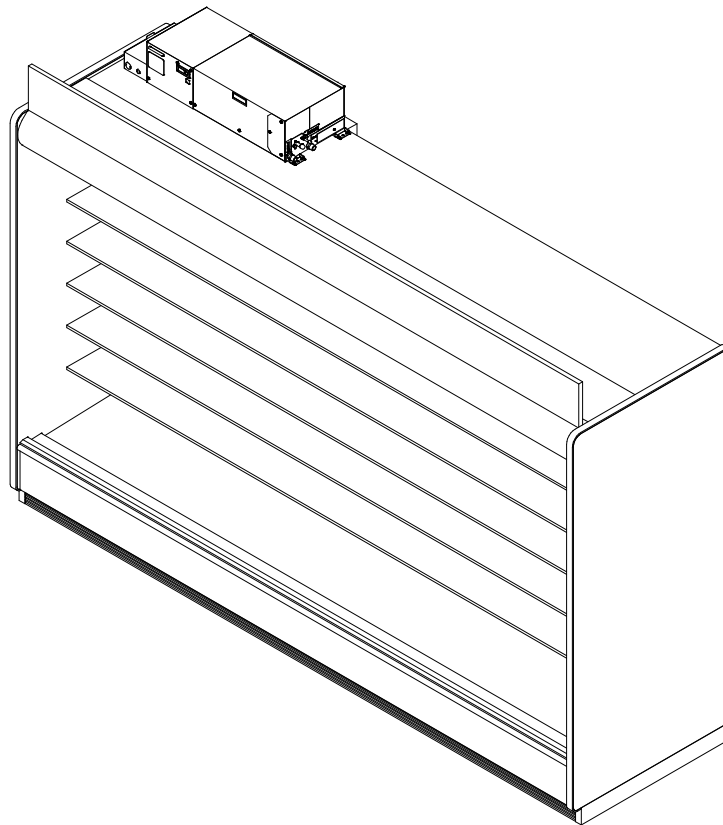
# 6DMLHQA-NRG

High Multi-Deck Merchandiser with Synerg-E™  
4', 6', 8' & 12' (Beverage / Dairy / Deli / Produce)



**GENERAL NOTES:**

- "---" indicates that the feature is not an option with this model and/or the data is not yet available.
- LED lights only.
- Maximum of 6 rows of standard output LED shelves.



SHIPPING WEIGHT	
Case	Weight
6DMLHQA-NRG	---



ALL MEASUREMENTS ARE TAKEN PER ASHRAE-72-2005 SPECIFICATIONS. HILLPHOENIX REFRIGERATED DISPLAY CASES FOR SALE IN THE UNITED STATES MEET OR EXCEED DEPARTMENT OF ENERGY 2017 REQUIREMENTS.

## 6DMLHQA-NRG

Rev. Date	Rev. #	Rev. Title
2-11-20	5	FASCIA UPDATE
9-13-19	4	SOLOCHILL V4



A DOVER COMPANY

# 6DMLHQA-NRG

High Multi-Deck Merchandiser with Synerg-E™  
4', 6', 8' & 12' (Beverage / Dairy / Deli / Produce)



ELECTRICAL DATA			
Case Length	Fans Per Case	High Efficiency Fans	
		120 Volts	
		Amps	Watts
4'	2	0.38	43
6'	3	0.57	65
8'	3	0.57	65
12'	4	0.76	87

LIGHTING DATA						
Case Length	Lights per row	Lights Length	Clearvoyant LED Lighting (Per Light Row)			
			Standard Power (Cornice or Shelf)		High Power (Cornice)	
			120 Volts		120 Volts	
			Amps	Watts	Amps	Watts
4'	1	4'	0.05	5.9	0.12	14.9
6'	2	3'	0.08	9.4	0.20	23.8
8'	2	4'	0.10	11.8	0.25	29.9
12'	3	4'	0.15	17.6	0.37	44.8

DEFROST CONTROLS			
Application	Defrosts Per Day	Timed-Off Defrost	
		Fail-Safe (Min)	Termination Temp (°F)
Dairy/Deli/Cut Produce	6	45	47
Bulk Produce/Beverage	2	30	47

**NOTES:**

- "---" indicates that the feature is not an option with this model and/or the data is not yet available.
- Listed discharge air velocity represents the average velocity immediately after defrost.
- Temperature and defrost settings listed above are recommended start-up settings. Final operational settings may need to be adjusted for the store conditions in which the case operates.



ALL MEASUREMENTS ARE TAKEN PER ASHRAE-72-2005 SPECIFICATIONS. HILLPHOENIX REFRIGERATED DISPLAY CASES FOR SALE IN THE UNITED STATES MEET OR EXCEED DEPARTMENT OF ENERGY 2017 REQUIREMENTS.

## 6DMLHQA-NRG

Rev. Date	Rev. #	Rev. Title
2-11-20	5	FASCIA UPDATE
9-13-19	4	SOLOCHILL V4



A DOVER COMPANY

# 6DMLHQA-NRG

High Multi-Deck Merchandiser with Synerg-E™  
4', 6', 8' & 12' (Beverage / Dairy / Deli / Produce)



SOLOCHILL DATA			@95° Condensing Temperature		
Volts	Phase	Frequency	Wire		
208	1	60	3 Wire + Ground		
Application		Case Length	Evaporator Temp (°F)	Discharge Air (°F)	Discharge Air Velocity (FPM)
DAIRY/DELI/CUT PRODUCE		4'	26	31	260
DAIRY/DELI/CUT PRODUCE		6'	26	31	260
DAIRY/DELI/CUT PRODUCE		8'	26	31	260
DAIRY/DELI/CUT PRODUCE		12'	26	31	260
BULK PRODUCE/BEVERAGE		4'	32	37	260
BULK PRODUCE/BEVERAGE		6'	32	37	260
BULK PRODUCE/BEVERAGE		8'	32	37	260
BULK PRODUCE/BEVERAGE		12'	32	37	260

Application	Case Length	R410A					
		Condensing Unit Model	MCA	MOP	Required Capacity	THR (BTUH)	Flow Rate
DAIRY/DELI/CUT PRODUCE	4'	DA091	11.4	15	6996	8958	2.6
DAIRY/DELI/CUT PRODUCE	6'	DA130	17.2	20	10494	13090	3.8
DAIRY/DELI/CUT PRODUCE	8'	DA220	23.9	25	13992	17099	4.9
DAIRY/DELI/CUT PRODUCE	12'	DA220	25.0	25	20988	25574	7.3
BULK PRODUCE/BEVERAGE	4'	DA091	11.4	15	6556	8186	2.3
BULK PRODUCE/BEVERAGE	6'	DA130	17.2	20	9834	12795	3.7
BULK PRODUCE/BEVERAGE	8'	DA220	23.9	25	13112	15721	4.5
BULK PRODUCE/BEVERAGE	12'	DA220	25.0	25	19668	23487	6.7

Application	Case Length	R448A					
		Condensing Unit Model	MCA	MOP	Required Capacity	THR (BTUH)	Flow Rate
DAIRY/DELI/CUT PRODUCE	4'	DA130	11.4	15	6996	8733	2.5
DAIRY/DELI/CUT PRODUCE	6'	DA220	18.3	20	10494	12824	3.7
DAIRY/DELI/CUT PRODUCE	8'	DA220	18.7	20	13992	17062	4.9
DAIRY/DELI/CUT PRODUCE	12'	DA420	37.2	40	20988	25916	7.4
BULK PRODUCE/BEVERAGE	4'	DA130	11.4	15	6556	8003	2.3
BULK PRODUCE/BEVERAGE	6'	DA220	18.3	20	9834	12567	3.6
BULK PRODUCE/BEVERAGE	8'	DA220	18.7	20	13112	15668	4.5
BULK PRODUCE/BEVERAGE	12'	DA420	37.2	40	19668	23851	6.8



ALL MEASUREMENTS ARE TAKEN PER ASHRAE-72-2005 SPECIFICATIONS. HILLPHOENIX REFRIGERATED DISPLAY CASES FOR SALE IN THE UNITED STATES MEET OR EXCEED DEPARTMENT OF ENERGY 2017 REQUIREMENTS.

## 6DMLHQA-NRG

Rev. Date	Rev. #	Rev. Title
2-11-20	5	FASCIA UPDATE
9-13-19	4	SOLOCHILL V4

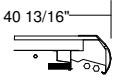
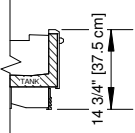
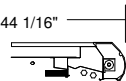
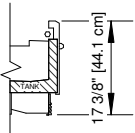
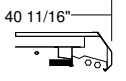
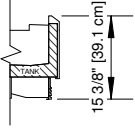
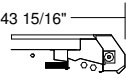
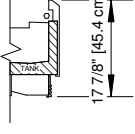
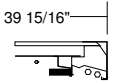
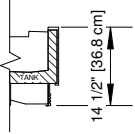
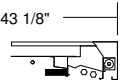
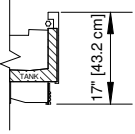


A DOVER COMPANY

# 6DMLHQA-NRG

High Multi-Deck Merchandiser with Synerg-E™  
4', 6', 8' & 12' (Beverage / Dairy / Deli / Produce)

**SOLOCHILL**  
MICRO-DISTRIBUTED

CORNICE OPTIONS	FRONT OPTIONS
<p><u>CURVED CORNICE</u></p>  <p>40 13/16"</p>	<p><u>CLASSIC 2 STANDARD FRONT</u></p>  <p>14 3/4" [37.5 cm] 14 3/4" [37.5 cm]</p>
<p><u>CURVED CORNICE WITH NIGHT COVER</u></p>  <p>44 1/16"</p>	<p><u>CLASSIC 2 17" FRONT W/ &amp; W/O NOSE LIGHT</u></p>  <p>17 3/8" [44.1 cm] 17 3/8" [44.1 cm]</p>
<p><u>FACETED CORNICE</u></p>  <p>40 11/16"</p>	<p><u>ANGLED FRONT</u></p>  <p>15 3/8" [39.1 cm] 15 3/8" [39.1 cm]</p>
<p><u>FACETED CORNICE WITH NIGHT COVER</u></p>  <p>43 15/16"</p>	<p><u>ANGLED FRONT W/ &amp; W/O NOSE LIGHT</u></p>  <p>17 7/8" [45.4 cm] 17 7/8" [45.4 cm]</p>
<p><u>FLAT CORNICE</u></p>  <p>39 15/16"</p>	<p><u>FLAT FRONT</u></p>  <p>14 1/2" [36.8 cm] 14 1/2" [36.8 cm]</p>
<p><u>FLAT CORNICE WITH NIGHT COVER</u></p>  <p>43 1/8"</p>	<p><u>17" FLAT FRONT W/ &amp; W/O NOSE LIGHT</u></p>  <p>17" [43.2 cm] 17" [43.2 cm]</p>



COMPONENT

ALL MEASUREMENTS ARE TAKEN PER ASHRAE-72-2005 SPECIFICATIONS. HILLPHOENIX REFRIGERATED DISPLAY CASES FOR SALE IN THE UNITED STATES MEET OR EXCEED DEPARTMENT OF ENERGY 2017 REQUIREMENTS.

## 6DMLHQA-NRG

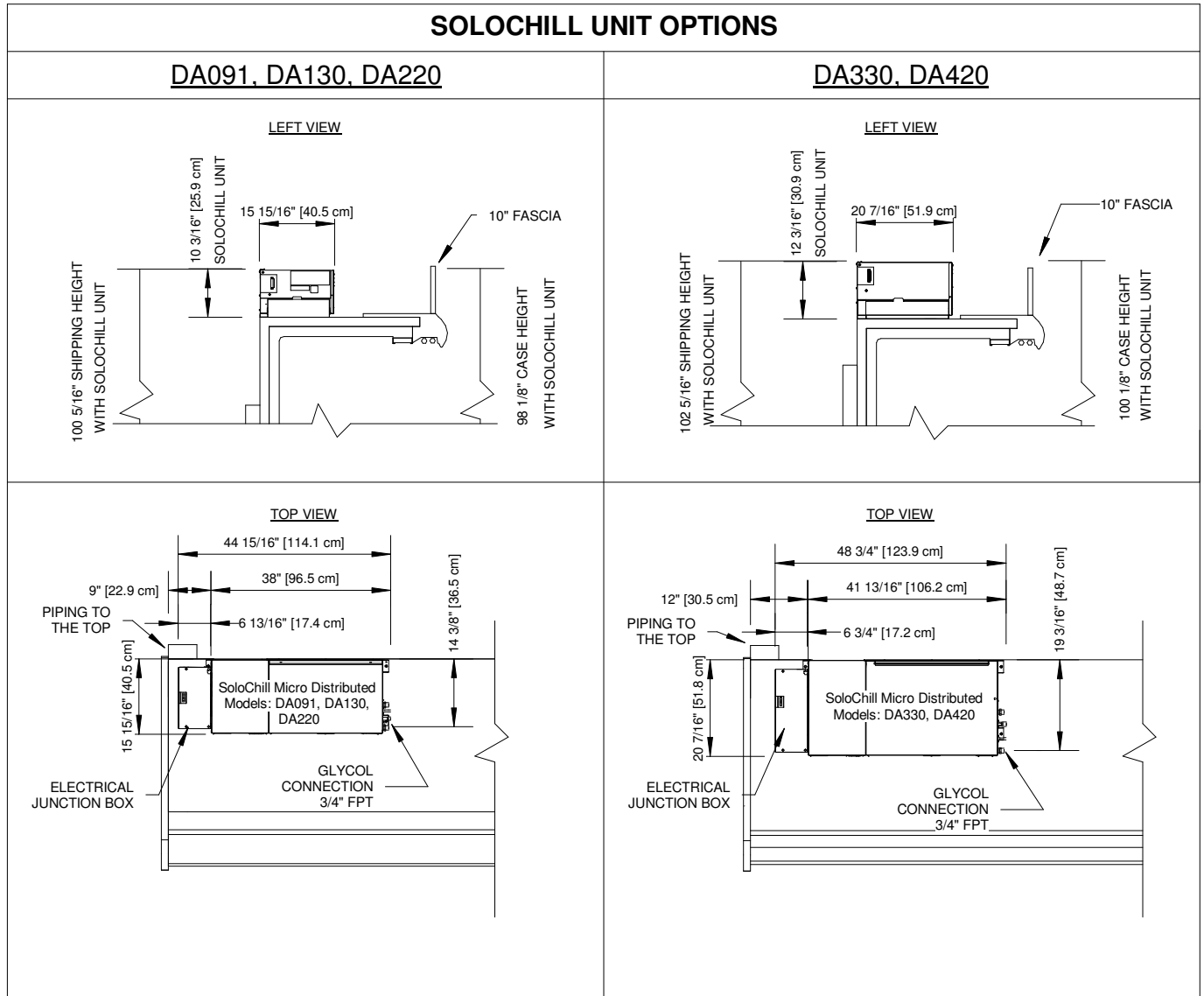
Rev. Date	Rev. #	Rev. Title
2-11-20	5	FASCIA UPDATE
9-13-19	4	SOLOCHILL V4

**Hillphoenix**

A DOVER COMPANY

# 6DMLHQA-NRG

High Multi-Deck Merchandiser with Synerg-E™  
4', 6', 8' & 12' (Beverage / Dairy / Deli / Produce)



ALL MEASUREMENTS ARE TAKEN PER ASHRAE-72-2005 SPECIFICATIONS. HILLPHOENIX REFRIGERATED DISPLAY CASES FOR SALE IN THE UNITED STATES MEET OR EXCEED DEPARTMENT OF ENERGY 2017 REQUIREMENTS.

## 6DMLHQA-NRG

Rev. Date	Rev. #	Rev. Title
2-11-20	5	FASCIA UPDATE
9-13-19	4	SOLOCHILL V4

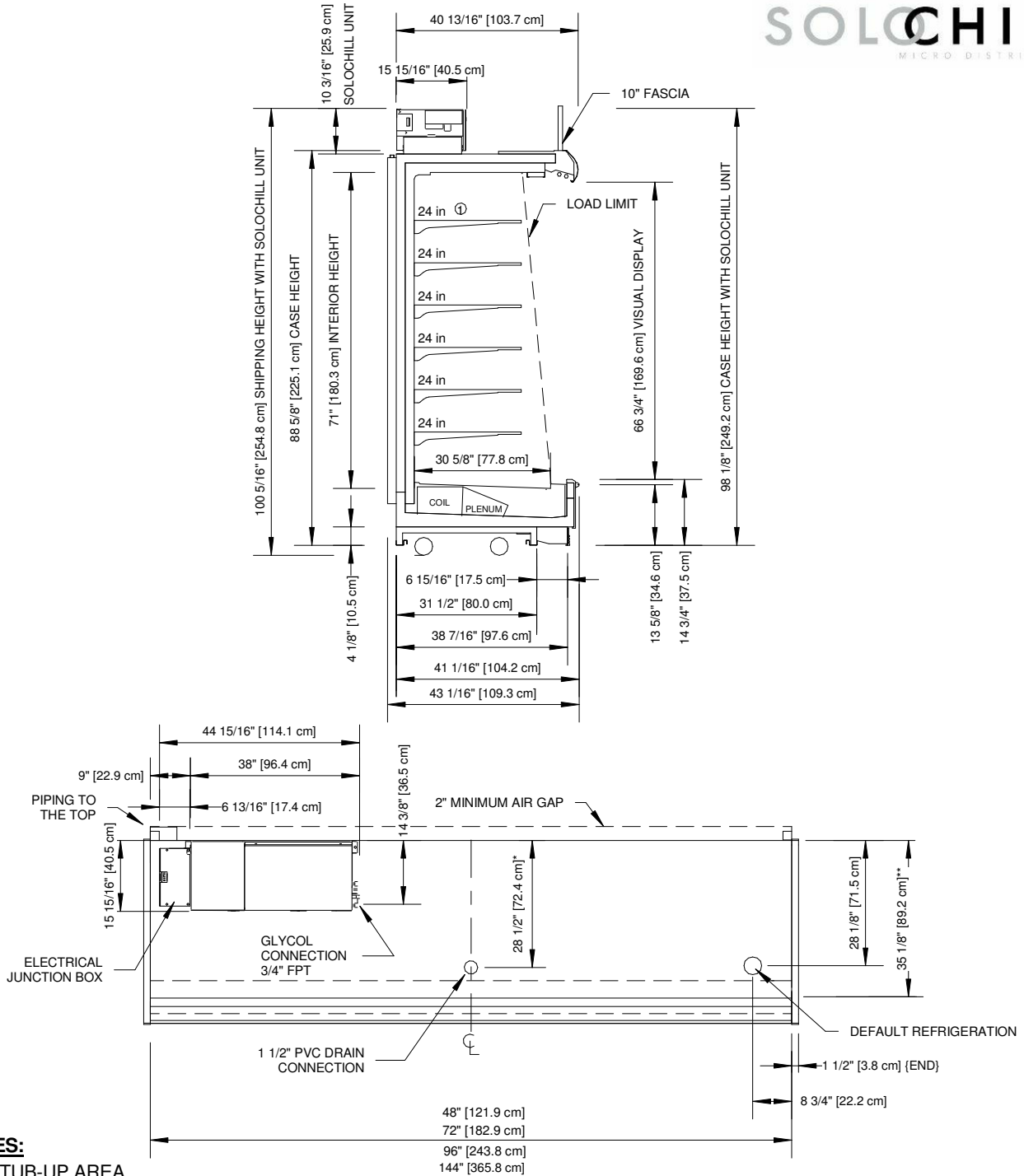


A DOVER COMPANY

# 6DMLHQA-NRG

High Multi-Deck Merchandiser with Synerg-E™  
4', 6', 8' & 12' (Beverage / Dairy / Deli / Produce)

**SOLOCHILL**  
MICRO-DISTRIBUTED



**NOTES:**

- \* : STUB-UP AREA
- \*\* : RECOMMENDED STUP-UP CENTERLINE FOR ELECTRICAL AND HUB DRAINS
- ① : AVAILABLE SHELF SIZES: 18", 20", 22" & 24"

• End add approximately 1" to case height.



ALL MEASUREMENTS ARE TAKEN PER ASHRAE-72-2005 SPECIFICATIONS. HILLPHOENIX REFRIGERATED DISPLAY CASES FOR SALE IN THE UNITED STATES MEET OR EXCEED DEPARTMENT OF ENERGY 2017 REQUIREMENTS.

**6DMLHQA-NRG**

Rev. Date	Rev. #	Rev. Title
2-11-20	5	FASCIA UPDATE
9-13-19	4	SOLOCHILL V4

**Hillphoenix**  
A DOVER COMPANY