

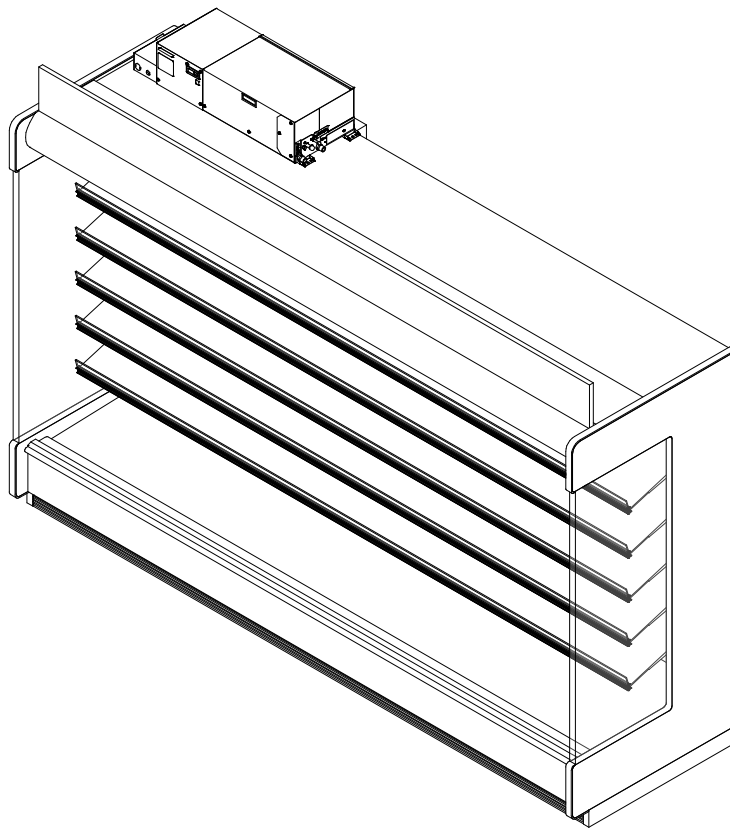
6MLHQA-NRG

High Multi-Deck Merchandiser with Synerg-E™
4', 8', & 12' (Meat)



GENERAL NOTES:

- "---" indicates that the feature is not an option for this case model and/or the data is not yet available.
- LED lights only.
- Maximum of 6 rows of standard output LED shelves.
- For optimal case performance in fresh meat (deli/meat) applications, Hillphoenix recommends that the merchandising depth in the bin area not exceed 4 inches.
- For optimal case performance, mirrors should be equally spaced between the adjacent mirrors and case ends.



SHIPPING WEIGHT	
Case	Weight
6MLHQA-NRG	---



ALL MEASUREMENTS ARE TAKEN PER ASHRAE-72-2005 SPECIFICATIONS. HILLPHOENIX REFRIGERATED DISPLAY CASES FOR SALE IN THE UNITED STATES MEET OR EXCEED DEPARTMENT OF ENERGY 2017 REQUIREMENTS.

6MLHQA-NRG

Rev. Date	Rev. #	Rev. Title
1-31-20	3	FASCIA UPDATE
9-16-19	2	SOLOCHILL V4



6MLHQA-NRG

High Multi-Deck Merchandiser with Synerg-E™
4', 8', & 12' (Meat)



ELECTRICAL DATA			
Case Length	Fans Per Case	High Efficiency Fans	
		120 Volt	
		Amps	Watts
4'	2	0.80	62
8'	3	1.20	92
12'	4	1.60	123

LIGHTING DATA					
Case Length	Lights per row	Clearvoyant v4 LED Lighting (Per Light Row)			
		Standard Power (Cornice or Shelf)		High Power (Cornice Only)	
		120 Volts		120 Volts	
		Amps	Watts	Amps	Watts
4'	1	0.05	5.9	0.12	14.9
8'	2	0.10	11.8	0.25	29.9
12'	3	0.15	17.6	0.37	44.8

DEFROST CONTROLS			
Application	Defrosts Per Day	Timed-Off Defrost	
		Fail-Safe (Min)	Termination Temp (°F)
Deli/Meat	8	45	48

NOTES:

- "---" indicates that the feature is not an option for this case model and/or the data is not yet available.
- Listed discharge air velocity represents the average velocity at the peak of defrost.
- Temperature and defrost settings listed above are recommended start-up settings. Final operational settings may need to be adjusted for the store conditions in which the case operates.



ALL MEASUREMENTS ARE TAKEN PER ASHRAE-72-2005 SPECIFICATIONS. HILLPHOENIX REFRIGERATED DISPLAY CASES FOR SALE IN THE UNITED STATES MEET OR EXCEED DEPARTMENT OF ENERGY 2017 REQUIREMENTS.

6MLHQA-NRG

Rev. Date	Rev. #	Rev. Title
1-31-20	3	FASCIA UPDATE
9-16-19	2	SOLOCHILL V4



A DOVER COMPANY

6MLHQA-NRG

High Multi-Deck Merchandiser with Synerg-E™
4', 8', & 12' (Meat)



SOLOCHILL DATA			@95° Condensing Temperature		
Volts	Phase	Frequency	Wire		
208	1	60	3 Wire + Ground		
Application		Case Length	Evaporator Temp (°F)	Discharge Air (°F)	Discharge Air Velocity (FPM)
Meat (14" Front)		4'	20	30	230
Meat (14" Front)		8'	20	30	230
Meat (14" Front)		12'	20	30	230
Meat (17" Front)		4'	20	30	230
Meat (17" Front)		8'	20	30	230
Meat (17" Front)		12'	20	30	230

Application	Case Length	R410A					
		Condensing Unit Model	MCA	MOP	Required Capacity	THR (BTUH)	Flow Rate
Meat (14" Front)	4'	DA130	16.9	20	8328	10611	3.0
Meat (14" Front)	8'	DA220	24.6	25	16656	20682	5.9
Meat (14" Front)	12'	DA420	41.7	45	24984	31392	9.0
Meat (17" Front)	4'	DA130	16.9	20	7832	10611	3.0
Meat (17" Front)	8'	DA220	24.6	25	15664	20682	5.9
Meat (17" Front)	12'	DA420	41.7	45	23496	31392	9.0

Application	Case Length	R448A					
		Condensing Unit Model	MCA	MOP	Required Capacity	THR (BTUH)	Flow Rate
Meat (14" Front)	4'	DA220	18.0	20	8328	10385	3.0
Meat (14" Front)	8'	DA330	26.8	30	16656	21082	6.0
Meat (14" Front)	12'	LARGE LOAD	---	---	24984	24876	7.1
Meat (17" Front)	4'	DA220	18.0	20	7832	10385	3.0
Meat (17" Front)	8'	DA330	26.8	30	15664	21082	6.0
Meat (17" Front)	12'	LARGE LOAD	---	---	23496	24876	7.1



ALL MEASUREMENTS ARE TAKEN PER ASHRAE-72-2005 SPECIFICATIONS. HILLPHOENIX REFRIGERATED DISPLAY CASES FOR SALE IN THE UNITED STATES MEET OR EXCEED DEPARTMENT OF ENERGY 2017 REQUIREMENTS.

6MLHQA-NRG

Rev. Date	Rev. #	Rev. Title
1-31-20	3	FASCIA UPDATE
9-16-19	2	SOLOCHILL V4

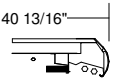
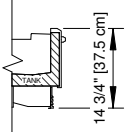
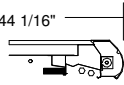
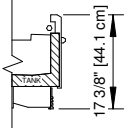
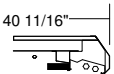
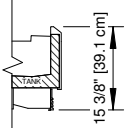
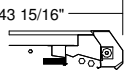
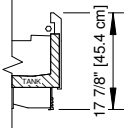
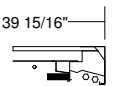
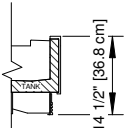
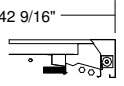
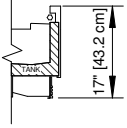


A DOVER COMPANY

6MLHQA-NRG

High Multi-Deck Merchandiser with Synerg-E™
4', 8', & 12' (Meat)

SOLOCHILL
MICRO-DISTRIBUTED

CORNICE OPTIONS	FRONT OPTIONS
<p><u>CURVED CORNICE</u></p>  <p>40 13/16"</p>	<p><u>CLASSIC 2 STANDARD FRONT</u></p>  <p>14 3/4" [37.5 cm] 17 3/8" [44.1 cm]</p>
<p><u>CURVED CORNICE WITH NIGHT COVER</u></p>  <p>44 1/16"</p>	<p><u>CLASSIC 2 17" FRONT W/ & W/O NOSE LIGHT</u></p>  <p>17 3/8" [44.1 cm] 17" [43.2 cm]</p>
<p><u>FACETED CORNICE</u></p>  <p>40 11/16"</p>	<p><u>ANGLED FRONT</u></p>  <p>15 3/8" [39.1 cm] 17 7/8" [45.4 cm]</p>
<p><u>FACETED CORNICE WITH NIGHT COVER</u></p>  <p>43 15/16"</p>	<p><u>ANGLED FRONT W/ & W/O NOSE LIGHT</u></p>  <p>17 7/8" [45.4 cm] 17" [43.2 cm]</p>
<p><u>FLAT CORNICE</u></p>  <p>39 15/16"</p>	<p><u>FLAT FRONT</u></p>  <p>14 1/2" [36.8 cm] 17" [43.2 cm]</p>
<p><u>FLAT CORNICE WITH NIGHT COVER</u></p>  <p>42 9/16"</p>	<p><u>17" FLAT FRONT W/ & W/O NOSE LIGHT</u></p>  <p>17" [43.2 cm]</p>



ALL MEASUREMENTS ARE TAKEN PER ASHRAE-72-2005 SPECIFICATIONS. HILLPHOENIX REFRIGERATED DISPLAY CASES FOR SALE IN THE UNITED STATES MEET OR EXCEED DEPARTMENT OF ENERGY 2017 REQUIREMENTS.

6MLHQA-NRG

Rev. Date	Rev. #	Rev. Title
1-31-20	3	FASCIA UPDATE
9-16-19	2	SOLOCHILL V4

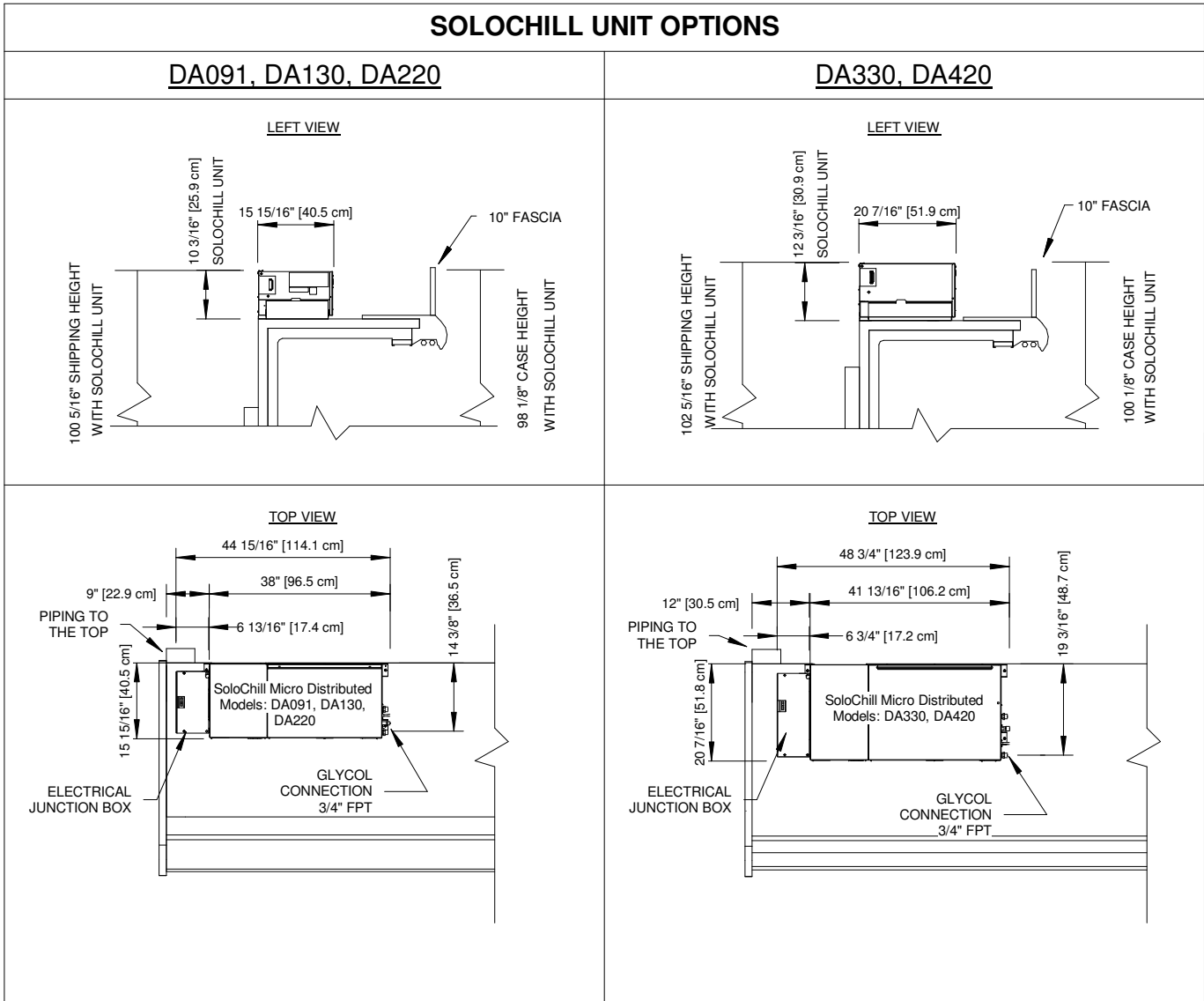
Hillphoenix
A DOVER COMPANY

6MLHQA-NRG

High Multi-Deck Merchandiser with Synerg-E™
4', 8', & 12' (Meat)



SOLOCHILL UNIT OPTIONS



COMPONENT

ALL MEASUREMENTS ARE TAKEN PER ASHRAE-72-2005 SPECIFICATIONS. HILLPHOENIX REFRIGERATED DISPLAY CASES FOR SALE IN THE UNITED STATES MEET OR EXCEED DEPARTMENT OF ENERGY 2017 REQUIREMENTS.

6MLHQA-NRG

Rev. Date	Rev. #	Rev. Title
1-31-20	3	FASCIA UPDATE
9-16-19	2	SOLOCHILL V4

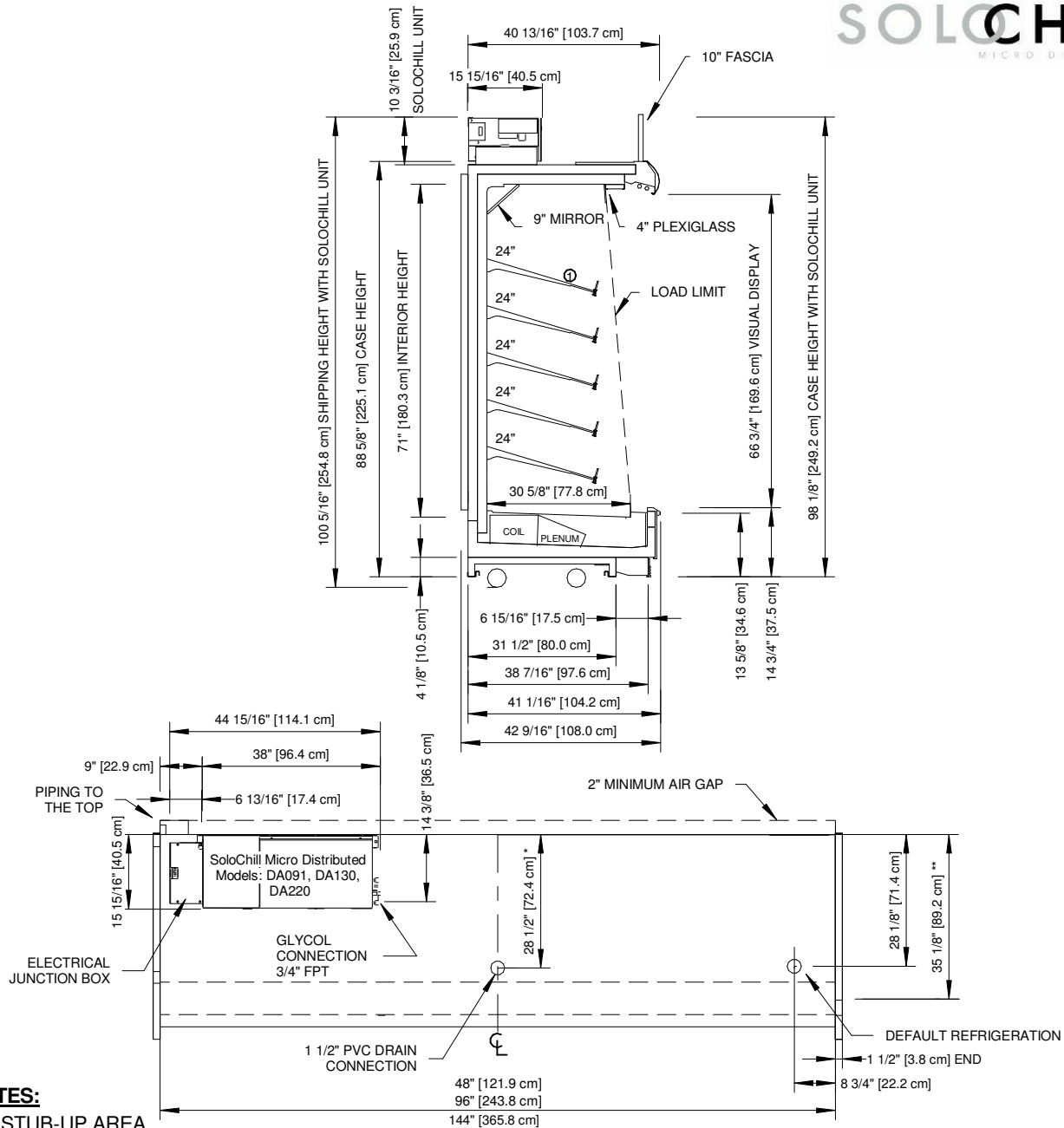


A DOVER COMPANY

6MLHQA-NRG

High Multi-Deck Merchandiser with Synerg-E™
4', 8', & 12' (Meat)

SOLOCHILL
MICRO DISTRIBUTED



NOTES:

- * : STUB-UP AREA
- ** : RECOMMENDED STUP-UP CENTERLINE FOR ELECTRICAL AND HUB DRAINS
- ① : AVAILABLE SHELF SIZES: 16", 18", 20", 22" & 24" (14" only available with cascade arrangement)

- Ends add approximately 1" to case height.
- Back panels add approximately 1" to the rear of the case.
- 4" plexiglass is required behind the honeycomb.
- The minimum shelf size in a cascade arrangement is 14".
- The minimum shelve size is 16" when all of the shelves are of equal size.
- Contact factory for available mirror sizes.



6MLHQA-NRG

ALL MEASUREMENTS ARE TAKEN PER ASHRAE-72-2005 SPECIFICATIONS. HILLPHOENIX REFRIGERATED DISPLAY CASES FOR SALE IN THE UNITED STATES MEET OR EXCEED DEPARTMENT OF ENERGY 2017 REQUIREMENTS.

Rev. Date	Rev. #	Rev. Title
1-31-20	3	FASCIA UPDATE
9-16-19	2	SOLOCHILL V4

Hillphoenix
A DOVER COMPANY