

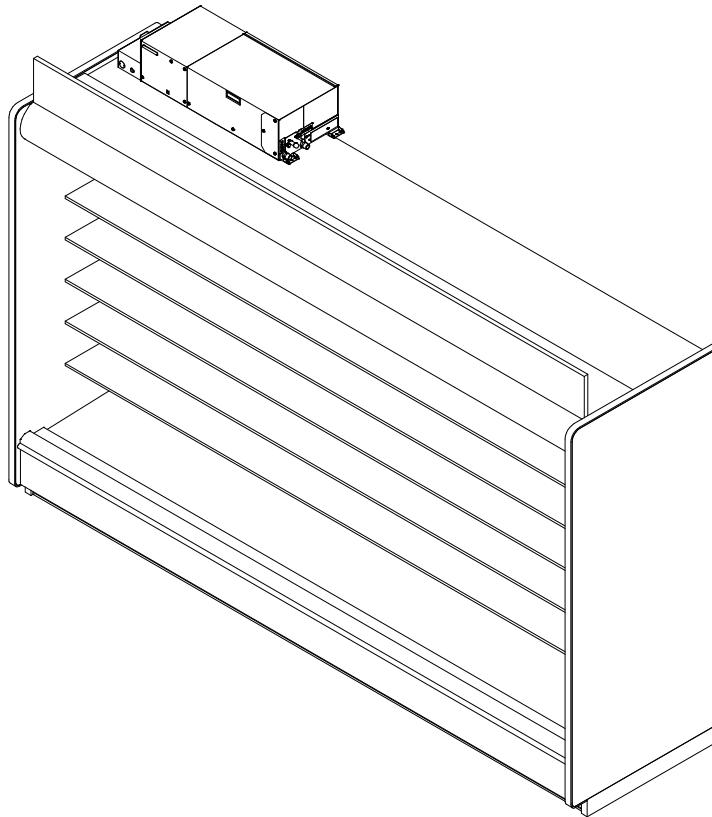
# 6NDMLHQA-NRG

8' & 12' Narrow Multi-Deck Merchandiser with Synerg-E™  
Beverage / Bulk Produce / Bakery / Dairy / Cut Produce / Deli

**SOLOCHILL**  
MICRO-DISTRIBUTED

**GENERAL NOTES:**

- "-" indicates that the feature is not available for this case model and/or the data is not available yet.
- LED lights only.



| SHIPPING WEIGHT |        |
|-----------------|--------|
| Case            | Weight |
| 6NDMLHQA-NRG    | ---    |



ALL MEASUREMENTS ARE TAKEN PER ASHRAE-72-2005 SPECIFICATIONS. HILLPHOENIX REFRIGERATED DISPLAY CASES FOR SALE IN THE UNITED STATES MEET OR EXCEED DEPARTMENT OF ENERGY 2017 REQUIREMENTS.

## 6NDMLHQA-NRG

| Rev. Date | Rev. # | Rev. Title   |
|-----------|--------|--------------|
| 10-21-20  | 5      | SOLOCHILL V5 |
| 8-3-20    | 4      | SHELF UPDATE |

**Hillphoenix**  
A DOVER COMPANY

# 6NDMLHQA-NRG

8' & 12' Narrow Multi-Deck Merchandiser with Synerg-E™  
Beverage / Bulk Produce / Bakery / Dairy / Cut Produce / Deli



| ELECTRICAL DATA |               |                      |       |
|-----------------|---------------|----------------------|-------|
| Case Length     | Fans Per Case | High Efficiency Fans |       |
|                 |               | 120 Volt             |       |
|                 |               | Amps                 | Watts |
| 8'              | 3             | 0.57                 | 65.0  |
| 12'             | 4             | 0.76                 | 87.0  |

| LIGHTING DATA |                |   |       |                           |       |
|---------------|----------------|---|-------|---------------------------|-------|
| Case Length   | Lights per row | Clearvoyant v4 LED Lighting (Per Light Row) |       |                           |       |
|               |                | Standard Power (Cornice or Shelf)           |       | High Power (Cornice Only) |       |
|               |                | 120 Volts                                   |       | 120 Volts                 |       |
|               |                | Amps  | Watts | Amps                      | Watts |
| 8'            | 2              | 0.10  | 11.8  | 0.25                      | 29.9  |
| 12'           | 3              | 0.15  | 17.6  | 0.37                      | 44.8  |

| DEFROST CONTROLS              |                  |                   |                      |
|-------------------------------|------------------|-------------------|----------------------|
| Application                   | Defrosts Per Day | Timed-Off Defrost |                      |
|                               |                  | Fail-Safe (Min)   | Termination Temp (F) |
| Bakery/Dairy/Deli/Cut Produce | 6                | 40                | 47                   |
| Beverage/Bulk Produce         | 2                | 30                | 47                   |

**NOTES:**

- "- - -" indicates that the feature is not available for this case model and/or the data is not available yet.
- Listed discharge air velocity represents the average velocity immediately after defrost.
- Temperature and defrost settings listed below are recommended start-up settings. Final operational settings may need to be adjusted for the store conditions in which the case operates.



ALL MEASUREMENTS ARE TAKEN PER ASHRAE-72-2005 SPECIFICATIONS. HILLPHOENIX REFRIGERATED DISPLAY CASES FOR SALE IN THE UNITED STATES MEET OR EXCEED DEPARTMENT OF ENERGY 2017 REQUIREMENTS.

## 6NDMLHQA-NRG

| Rev. Date | Rev. # | Rev. Title   |
|-----------|--------|--------------|
| 10-21-20  | 5      | SOLOCHILL V5 |
| 8-3-20    | 4      | SHELF UPDATE |



A DOVER COMPANY

# 6NDMLHQA-NRG

8' & 12' Narrow Multi-Deck Merchandiser with Synerg-E™  
Beverage / Bulk Produce / Bakery / Dairy / Cut Produce / Deli



| SOLOCHILL DATA                |       |             | @95° Condensing Temperature |                    |                              |
|-------------------------------|-------|-------------|-----------------------------|--------------------|------------------------------|
| Volts                         | Phase | Frequency   | Wire                        |                    |                              |
| 208                           | 1     | 60          | 3 Wire + Ground             |                    |                              |
| Application                   |       | Case Length | Evaporator Temp (°F)        | Discharge Air (°F) | Discharge Air Velocity (FPM) |
| BEVERAGE/BULK PRODUCE         |       | 8'          | 32                          | 37                 | 260                          |
| BEVERAGE/BULK PRODUCE         |       | 12'         | 32                          | 37                 | 260                          |
| BAKERY/DAIRY/DELI/CUT PRODUCE |       | 8'          | 26                          | 31                 | 260                          |
| BAKERY/DAIRY/DELI/CUT PRODUCE |       | 12'         | 26                          | 31                 | 260                          |

| Application                   | Case Length | R448A                 |      |     |                   |            |           |
|-------------------------------|-------------|-----------------------|------|-----|-------------------|------------|-----------|
|                               |             | Condensing Unit Model | MCA  | MOP | Required Capacity | THR (BTUH) | Flow Rate |
| BEVERAGE/BULK PRODUCE         | 8'          | DA330                 | 26.2 | 30  | 15312             | 18666      | 5.3       |
| BEVERAGE/BULK PRODUCE         | 12'         | DA420                 | 37.2 | 40  | 22968             | 27835      | 8.0       |
| BAKERY/DAIRY/DELI/CUT PRODUCE | 8'          | DA330                 | 26.2 | 30  | 15328             | 19080      | 5.5       |
| BAKERY/DAIRY/DELI/CUT PRODUCE | 12'         | DA420                 | 37.2 | 40  | 22992             | 28348      | 8.1       |



ALL MEASUREMENTS ARE TAKEN PER ASHRAE-72-2005 SPECIFICATIONS. HILLPHOENIX REFRIGERATED DISPLAY CASES FOR SALE IN THE UNITED STATES MEET OR EXCEED DEPARTMENT OF ENERGY 2017 REQUIREMENTS.

## 6NDMLHQA-NRG

| Rev. Date | Rev. # | Rev. Title   |
|-----------|--------|--------------|
| 10-21-20  | 5      | SOLOCHILL V5 |
| 8-3-20    | 4      | SHELF UPDATE |

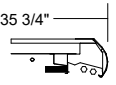
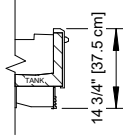

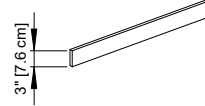
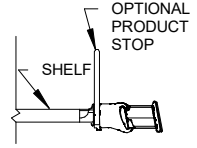
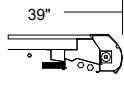
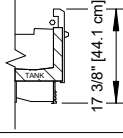

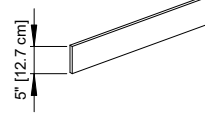
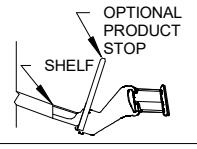
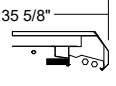
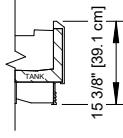


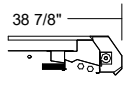
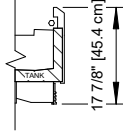

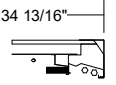
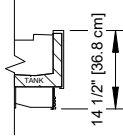
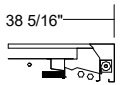
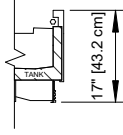


A DOVER COMPANY

# 6NDMLHQA-NRG

8' & 12' Narrow Multi-Deck Merchandiser with Synerg-E™  
Beverage / Bulk Produce / Bakery / Dairy / Cut Produce / Deli

**SOLOCHILL**  
MICRO-DISTRIBUTED

| CORNICE OPTIONS  | FRONT OPTIONS  | SHELF TAG MOLDING OPTIONS  | PRODUCT STOP OPTIONS<br>(ONLY APPLICABLE ON SLOTTED TM)  | SHELF EDGE ENERGY SAVINGS  |
|--|--|--|--|--|
| <u>CURVED CORNICE</u><br><br>                     | <u>CLASSIC 2 STANDARD FRONT</u><br><br>                     | <u>1.25\" STD</u><br><br>       | <u>3\" PLEXI PRODUCT STOPS</u><br><br>   | <u>ECO BLADE FLAT SHELF</u><br><br>   |
| <u>CURVED CORNICE WITH NIGHT COVER</u><br><br>    | <u>CLASSIC 2 17\" FRONT W/ &amp; W/O NOSE LIGHT</u><br><br> | <u>SLOTTED</u><br><br>          | <u>5\" PLEXI PRODUCT STOPS</u><br><br>   | <u>ECO BLADE ANGLED SHELF</u><br><br> |
| <u>FACETED CORNICE</u><br><br>                   | <u>ANGLED FRONT</u><br><br>                                | <u>ANGLED</u><br><br>           | <u>WIRE FENCE PRODUCT STOPS</u><br><br> |  |
| <u>FACETED CORNICE WITH NIGHT COVER</u><br><br> | <u>ANGLED FRONT W/ &amp; W/O NOSE LIGHT</u><br><br>       | <u>ANGLED SLOTTED</u><br><br> |  |  |
| <u>FLAT CORNICE</u><br><br>                     | <u>FLAT FRONT</u><br><br>                                 |  |  |  |
| <u>FLAT CORNICE WITH NIGHT COVER</u><br><br>    | <u>17\" FLAT FRONT W/ &amp; W/O NOSE LIGHT</u><br><br>    |  |  |  |

**NOTES:**

- Tag molding materials are PVC, aluminum, or painted aluminum.
- See Ecoblade tech sheet for additional information.



ALL MEASUREMENTS ARE TAKEN PER ASHRAE-72-2005 SPECIFICATIONS. HILLPHOENIX REFRIGERATED DISPLAY CASES FOR SALE IN THE UNITED STATES MEET OR EXCEED DEPARTMENT OF ENERGY 2017 REQUIREMENTS.

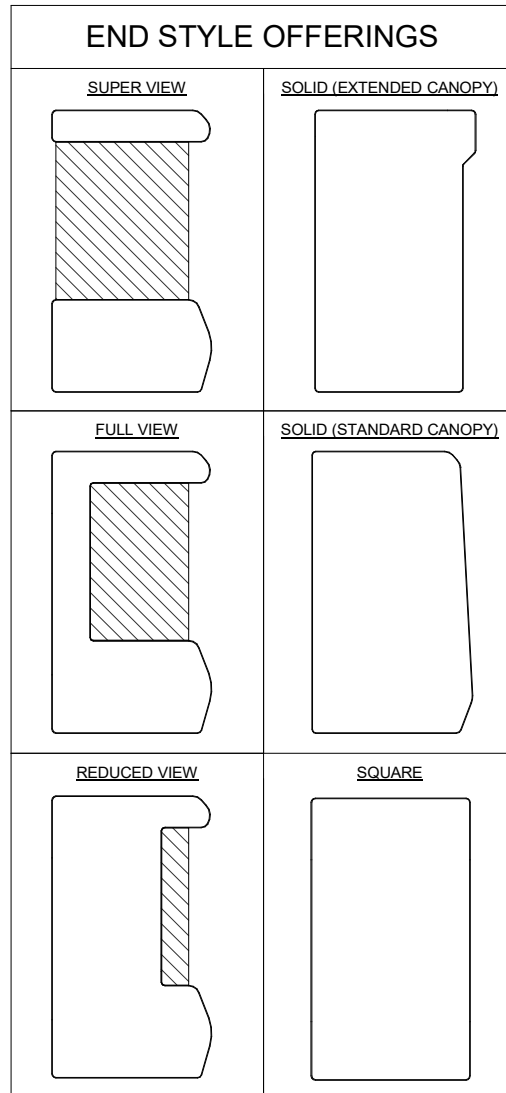
**6NDMLHQA-NRG**

| Rev. Date | Rev. # | Rev. Title   |
|-----------|--------|--------------|
| 10-21-20  | 5      | SOLOCHILL V5 |
| 8-3-20    | 4      | SHELF UPDATE |

**Hillphoenix**  
A DOVER COMPANY

# 6NDMLHQA-NRG

8' & 12' Narrow Multi-Deck Merchandiser with Synerg-E™  
Beverage / Bulk Produce / Bakery / Dairy / Cut Produce / Deli



**NOTES:**

- Ends shown are for general use only. Shape, size, and appearance are subject to change based on engineering configuration.
- Hatched regions represent glass inserts.
- Ends add approximately 1" to case height, 1/2" to the back & 1" to the front.
- Ends are available with either polymer end trim or metal end trim.



ALL MEASUREMENTS ARE TAKEN PER ASHRAE-72-2005 SPECIFICATIONS. HILLPHOENIX REFRIGERATED DISPLAY CASES FOR SALE IN THE UNITED STATES MEET OR EXCEED DEPARTMENT OF ENERGY 2017 REQUIREMENTS.

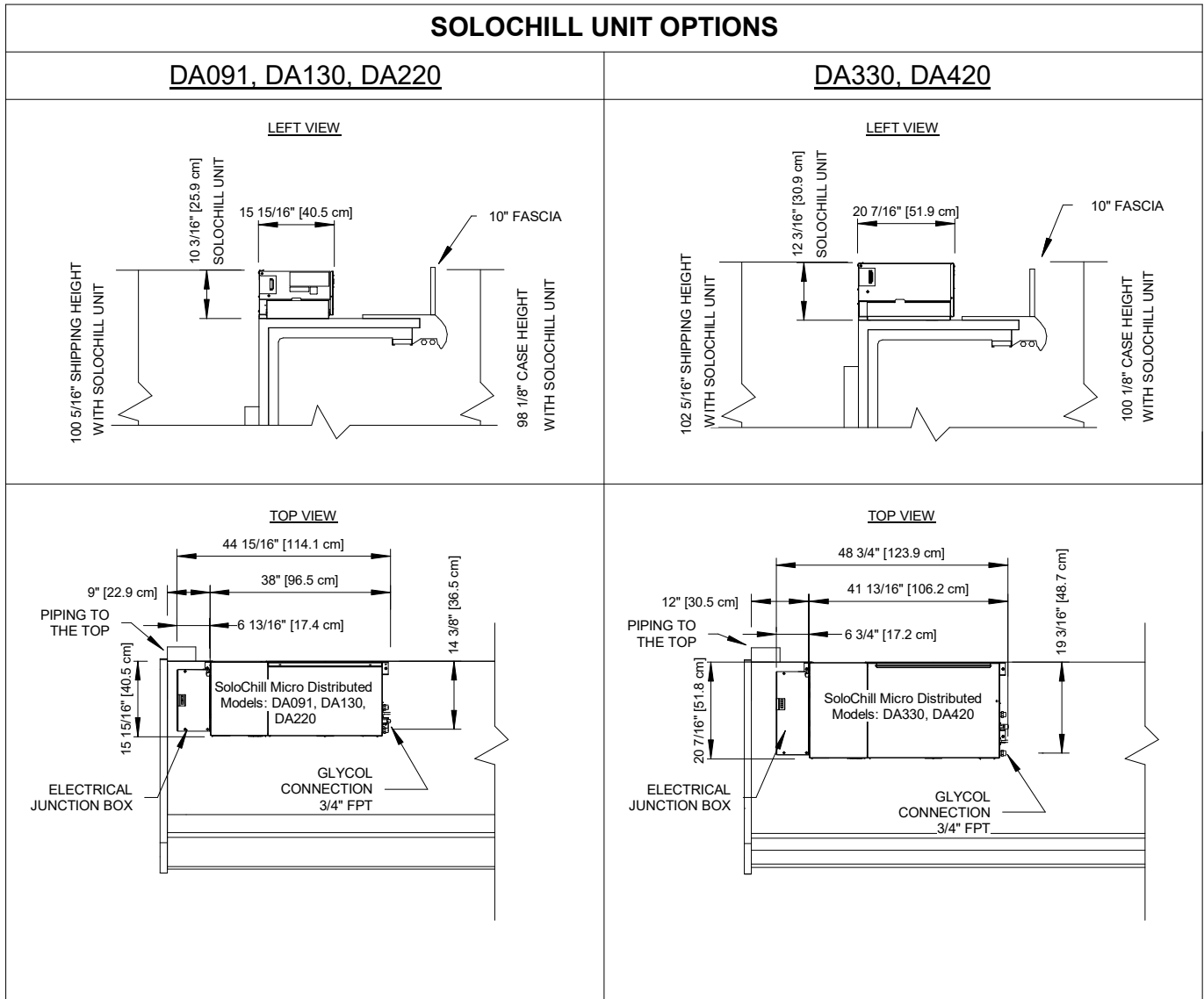
**6NDMLHQA-NRG**

| Rev. Date | Rev. # | Rev. Title   |
|-----------|--------|--------------|
| 10-21-20  | 5      | SOLOCHILL V5 |
| 8-3-20    | 4      | SHELF UPDATE |



# 6NDMLHQA-NRG

8' & 12' Narrow Multi-Deck Merchandiser with Synerg-E™  
Beverage / Bulk Produce / Bakery / Dairy / Cut Produce / Deli



ALL MEASUREMENTS ARE TAKEN PER ASHRAE-72-2005 SPECIFICATIONS. HILLPHOENIX REFRIGERATED DISPLAY CASES FOR SALE IN THE UNITED STATES MEET OR EXCEED DEPARTMENT OF ENERGY 2017 REQUIREMENTS.

## 6NDMLHQA-NRG

| Rev. Date | Rev. # | Rev. Title   |
|-----------|--------|--------------|
| 10-21-20  | 5      | SOLOCHILL V5 |
| 8-3-20    | 4      | SHELF UPDATE |

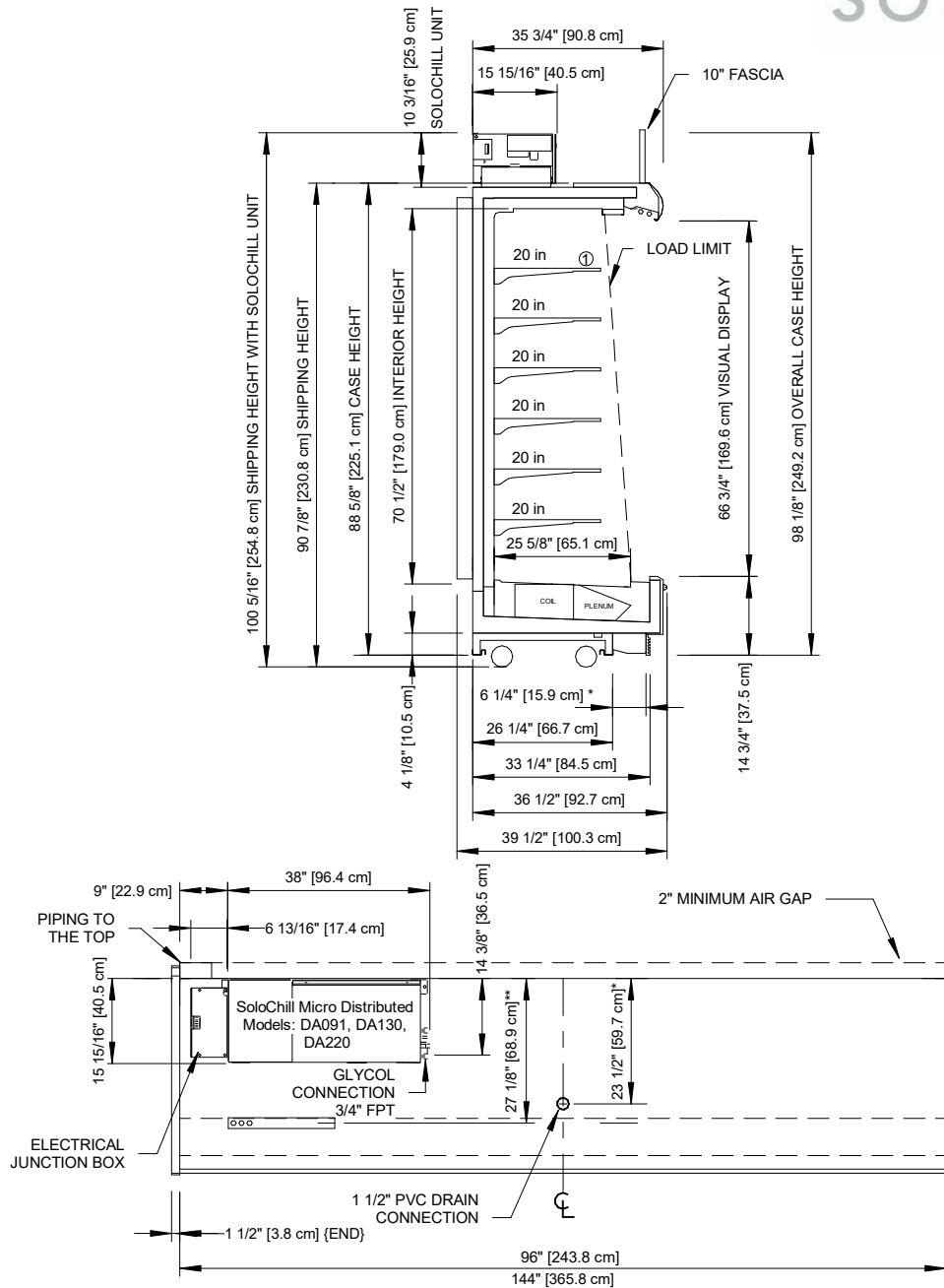


A DOVER COMPANY

# 6NDMLHQA-NRG

8' & 12' Narrow Multi-Deck Merchandiser with Synerg-E™  
Beverage / Bulk Produce / Bakery / Dairy / Cut Produce / Deli

**SOLOCHILL**  
MICRO-DISTRIBUTED



**NOTES:**

- \* : STUB-UP AREA
- \*\* : RECOMMENDED STUP-UP CENTERLINE FOR ELECTRICAL AND HUB DRAINS
- ① : AVAILABLE SHELF SIZES: 10", 12", 14", 16", 18", 20", 22" ; (6) ROWS OF SHELVES MAX

- Ends add approximately 1" to case height.
- Back panels add approximately 1" to the rear of the case.



**6NDMLHQA-NRG**

ALL MEASUREMENTS ARE TAKEN PER ASHRAE-72-2005 SPECIFICATIONS. HILLPHOENIX REFRIGERATED DISPLAY CASES FOR SALE IN THE UNITED STATES MEET OR EXCEED DEPARTMENT OF ENERGY 2017 REQUIREMENTS.

| Rev. Date | Rev. # | Rev. Title   |
|-----------|--------|--------------|
| 10-21-20  | 5      | SOLOCHILL V5 |
| 8-3-20    | 4      | SHELF UPDATE |

**Hillphoenix**  
A DOVER COMPANY