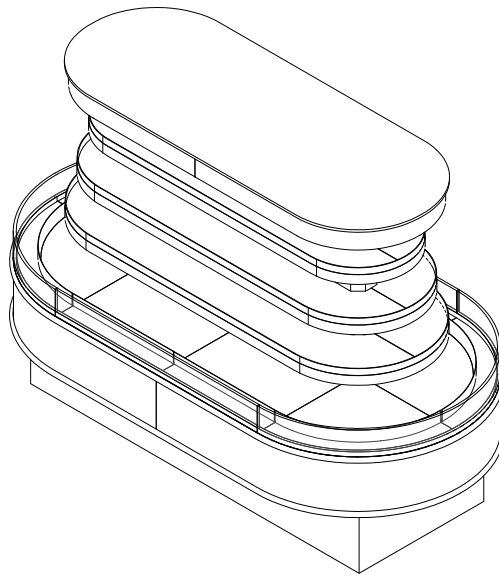


HVI-4-406R/408R

Self-Service Open Multi-Deck Island Merchandiser
406 & 408 (Bakery/Beverage/Dairy/Deli/Produce)

GENERAL NOTES

- "---" Indicates that the feature is not an option on this case model and/or the data is not yet available at this time.
- (SFC) Small Format Channel offering is wired for undershelf lighting.



| SHIPPING WEIGHT | |
|-----------------|--------|
| Case | Weight |
| HVI-4-406R/408R | --- |



ENGINEERED FOR STORES WITH AMBIENT CONDITIONS NOT TO EXCEED 75° AND 55% RELATIVE HUMIDITY. DUE TO ENGINEERING IMPROVEMENTS SPECIFICATIONS MAY CHANGE WITHOUT NOTICE. ALL MEASUREMENTS ARE TAKEN PER ASHRAE-72-2005 SPECIFICATIONS. HILLPHOENIX REFRIGERATED DISPLAY CASES FOR SALE IN THE UNITED STATES MEET OR EXCEED DEPARTMENT OF ENERGY 2017 REQUIREMENTS. NUMBERS ARE BASED ON STANDARD CASE SIZES. CONSULT ENGINEERING.

HVI-4-406R/408R

| Rev. Date | Rev. # | Rev. Title |
|-----------|--------|---------------|
| 04-08-19 | 1 | NEW STANDARDS |
| | | |



HVI-4-406R/408R

Self-Service Open Multi-Deck Island Merchandiser
406 & 408 (Bakery/Beverage/Dairy/Deli/Produce)

| ELECTRICAL DATA | | | | | | | | | |
|-----------------|---------------|----------------------|-------|----------------------|-------|---------------|-------|--------------------------|-------|
| Case Length | Fans Per Case | High Efficiency Fans | | Anti-Condensate Fans | | Drain Heaters | | Optional Defrost Heaters | |
| | | 120 Volts | | 120 Volts | | 120 Volts | | 208 Volts | |
| | | Amps | Watts | Amps | Watts | Amps | Watts | Amps | Watts |
| 406 | 4 | 1.20 | 144.0 | --- | --- | --- | --- | --- | --- |
| 408 | 6 | 1.80 | 216.0 | --- | --- | --- | --- | --- | --- |

| LIGHTING DATA | | | | | | | |
|---------------|-------------------------------|--------------------------------------------|-------|-------------------------------|--------------------------------------------|-------|--|
| Case Length | Light Length (Lights Per Row) | Clearvoyant 4 LED Lighting (Per Light Row) | | Light Length (Lights Per Row) | Clearvoyant 4 LED Lighting (Per Light Row) | | |
| | | Standard Power (Cornice) | | | Standard Power (Shelf) | | |
| | | 120 Volts | | | 120 Volts | | |
| | | Amps | Watts | | Amps | Watts | |
| 406 | (4) 6" + (4) 12" + (2) 24" | 0.18 | 17.9 | (6) 6" + (2) 24" | 0.12 | 12.5 | |
| 408 | (4) 6" + (4) 12" + (2) 24" | 0.22 | 21.6 | (6) 6" + (4) 24" | 0.16 | 16.2 | |

| GUIDELINES AND CONTROL SETTINGS (DX) | | | | | | |
|--------------------------------------|--------------|----------|---------------------------------|-----------------|--------------------|------------------------------|
| Case Length | BTUH/ft | | Superheat Set Point @ Bulb (°F) | Evaporator (°F) | Discharge Air (°F) | Discharge Air Velocity (FPM) |
| | Conventional | Parallel | | | | |
| 406 | 8707 | 7938 | 7 - 9 | 26 | 38 | --- |
| 408 | 10100 | 11145 | 7 - 9 | 26 | --- | --- |

| DEFROST CONTROLS | | | | | | | |
|------------------|--------------------|------------------|-----------------------|-------------------|-----------------------|-----------------|-----------------------|
| Defrosts Per Day | Run-Off Time (Min) | Electric Defrost | | Timed-Off Defrost | | Hot Gas Defrost | |
| | | Fail-Safe (Min) | Termination Temp (°F) | Fail-Safe (Min) | Termination Temp (°F) | Fail-Safe (Min) | Termination Temp (°F) |
| 6 | --- | --- | --- | 60 | 45 | --- | --- |

NOTES

- "----" Indicates that the feature is not an option on this case model and/or the data is not yet available at this time.
- High output cornice lights are not available in this case model.
- BTUH values shown include lights.
- Listed discharge air velocity represents the average velocity at the peak of defrost.



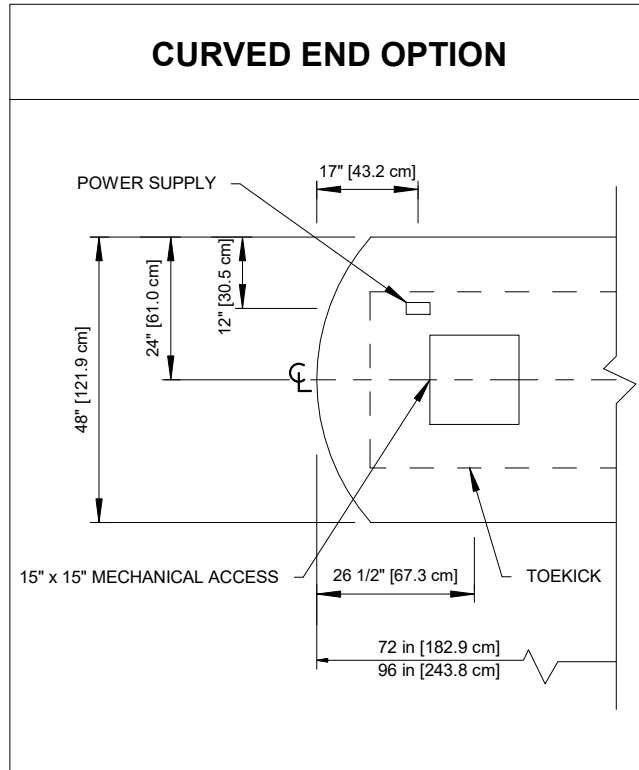
ENGINEERED FOR STORES WITH AMBIENT CONDITIONS NOT TO EXCEED 75° AND 55% RELATIVE HUMIDITY. DUE TO ENGINEERING IMPROVEMENTS SPECIFICATIONS MAY CHANGE WITHOUT NOTICE. ALL MEASUREMENTS ARE TAKEN PER ASHRAE-72-2005 SPECIFICATIONS. HILLPHOENIX REFRIGERATED DISPLAY CASES FOR SALE IN THE UNITED STATES MEET OR EXCEED DEPARTMENT OF ENERGY 2017 REQUIREMENTS. NUMBERS ARE BASED ON STANDARD CASE SIZES. CONSULT ENGINEERING.

HVI-4-406R/408R

| Rev. Date | Rev. # | Rev. Title |
|-----------|--------|---------------|
| 04-08-19 | 1 | NEW STANDARDS |
| | | |



A DOWER COMPANY



ENGINEERED FOR STORES WITH AMBIENT CONDITIONS NOT TO EXCEED 75° AND 55% RELATIVE HUMIDITY. DUE TO ENGINEERING IMPROVEMENTS SPECIFICATIONS MAY CHANGE WITHOUT NOTICE. ALL MEASUREMENTS ARE TAKEN PER ASHRAE-72-2005 SPECIFICATIONS. HILLPHOENIX REFRIGERATED DISPLAY CASES FOR SALE IN THE UNITED STATES MEET OR EXCEED DEPARTMENT OF ENERGY 2017 REQUIREMENTS. NUMBERS ARE BASED ON STANDARD CASE SIZES. CONSULT ENGINEERING.

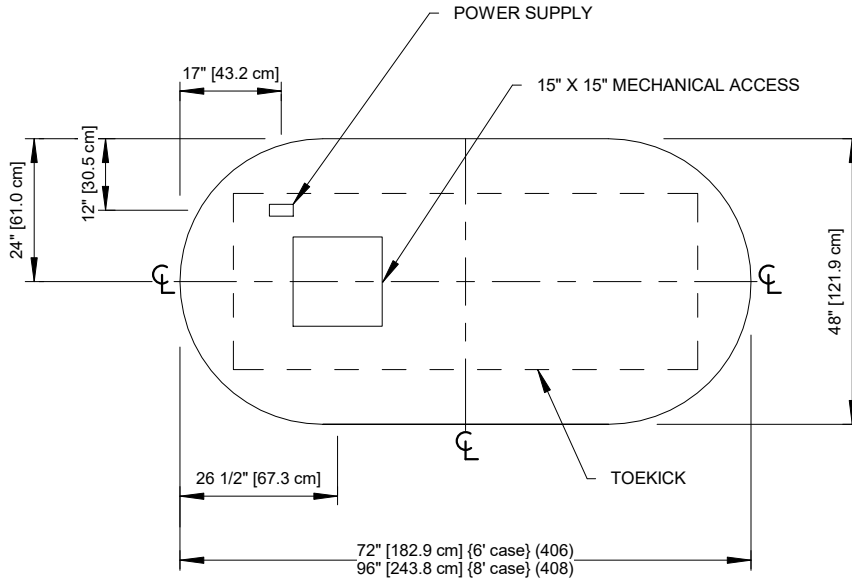
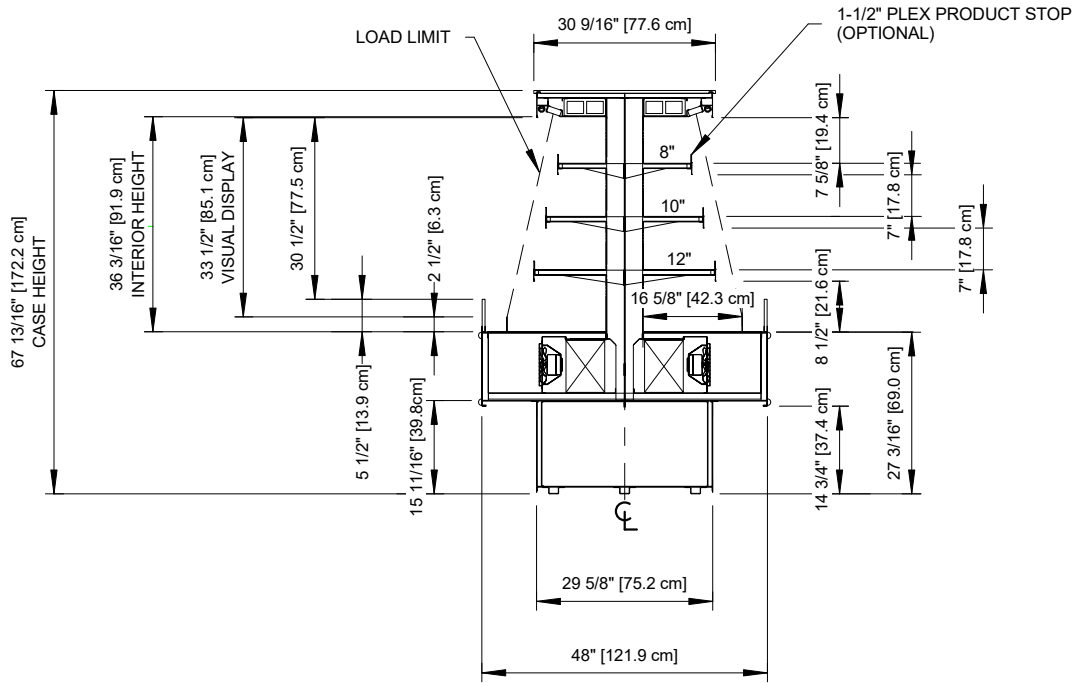
HVI-4-406R/408R

| Rev. Date | Rev. # | Rev. Title |
|-----------|--------|---------------|
| 04-08-19 | 1 | NEW STANDARDS |
| | | |



HVI-4-406R/408R

Self-Service Open Multi-Deck Island Merchandiser
406 & 408 (Bakery/Beverage/Dairy/Deli/Produce)



NOTES

- Shown with radius ends.



Intertek

Intertek

ENGINEERED FOR STORES WITH AMBIENT CONDITIONS NOT TO EXCEED 75° AND 55% RELATIVE HUMIDITY. DUE TO ENGINEERING IMPROVEMENTS SPECIFICATIONS MAY CHANGE WITHOUT NOTICE. ALL MEASUREMENTS ARE TAKEN PER ASHRAE-72-2005 SPECIFICATIONS. HILLPHOENIX REFRIGERATED DISPLAY CASES FOR SALE IN THE UNITED STATES MEET OR EXCEED DEPARTMENT OF ENERGY 2017 REQUIREMENTS. NUMBERS ARE BASED ON STANDARD CASE SIZES. CONSULT ENGINEERING.

HVI-4-406R/408R

| Rev. Date | Rev. # | Rev. Title |
|-----------|--------|---------------|
| 04-08-19 | 1 | NEW STANDARDS |
| | | |



Hillphoenix

A DOWER COMPANY