

DA091

SoloChill Micro Distributed Model
End Water Egress

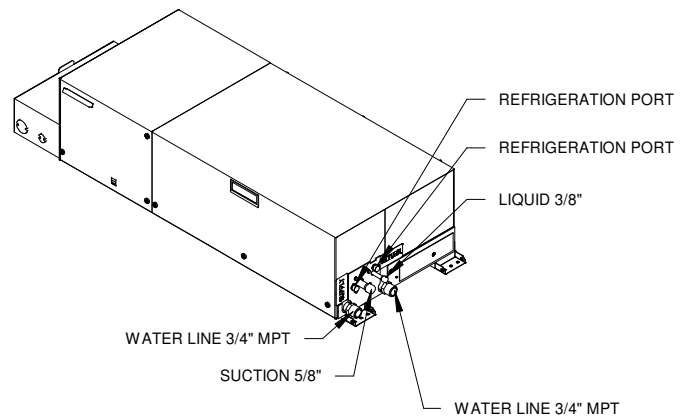
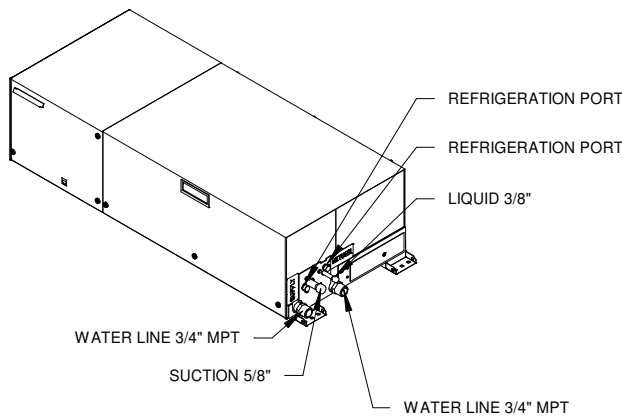
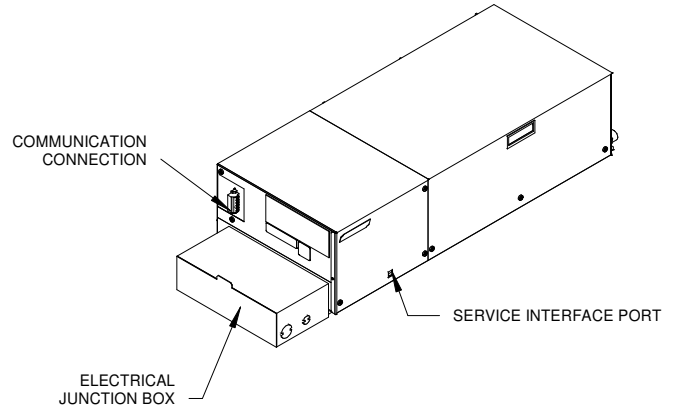
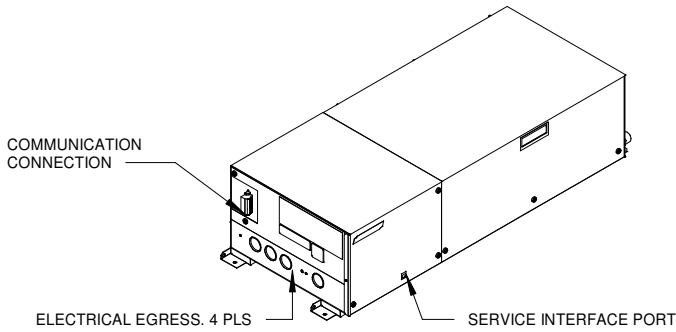


GENERAL NOTES:

- "---" indicates that the feature is not an option on this case model and/or the data is not available at this time.
- Versions with junction box are supplied when unit is field installed remote from case/unit cooler.

NO JUNCTION BOX OPTION

JUNCTION BOX OPTION



SHIPPING WEIGHT	
Case	Weight
DA091	150 lbs.



DA091

ALL MEASUREMENTS ARE TAKEN PER ASHRAE-72-2005 SPECIFICATIONS.

Rev. Date	Rev. #	Rev. Title
9-17-20	5	UPDATE TO V5
7-17-19	4	DATA UPDATE



A DOVER COMPANY



Volts	Phase	Frequency (Hz)	Wire	MRC	MOP
208	1	60	3 Wire + Ground	6	15

TABLE A

Circuit	MT Models	LT Models
Lights	6A	6A
Fans	6A	30A
Defrost Heaters	N/A	30A
A/S Heaters	30A	30A

R448A

Evaporator Temp (°F)	Required Capacity	Flow Rate	THR (BTUH)
35	6576	2.3	8105
30	5912	2.1	7442
25	5286	1.9	6805
20	4718	1.8	6218
15	4181	1.6	5652
10	3699	1.5	5136
5	3243	1.3	4636
0	2837	1.2	4183
-5	2278	1.0	3476
-10	1964	0.9	3109
-15	1668	0.8	2751
-20	1409	0.7	2433
-25	1165	0.6	2122
-30	954	0.5	1847

NOTES:

- "----" indicates that the feature is not an option on this case model and/or the data is not available at this time.
- Use conventional BTUH on case cutsheet for HPQA unit sizing. Excess capacity for pulldown is integrated into HPQA BTUH data.
- 208V 4Wire [L1, L2, N, G]
- Maximum water temperature is 95°F (preferred temperature is 70-80°F for max efficiency).
- Use Belden Cable 8762 or equivalent (2C 20AWG shielded cable) for all field RS485 and pLAN communications.
- MOP shown for SoloChill only. It does not include additional electrical circuits such as fans, lights, defrost/heaters, and A/C heaters.
- Table A includes maximum ampacity allowed through SoloChill unit for each circuit.



DA091

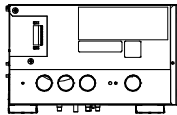
ALL MEASUREMENTS ARE TAKEN PER
ASHRAE-72-2005 SPECIFICATIONS.

Rev. Date	Rev. #	Rev. Title
9-17-20	5	UPDATE TO V5
7-17-19	4	DATA UPDATE

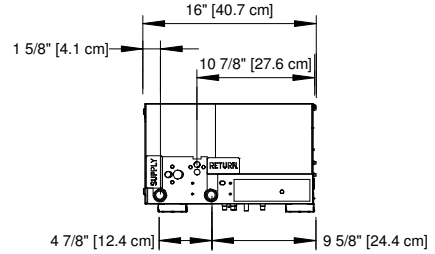


A DOVER COMPANY

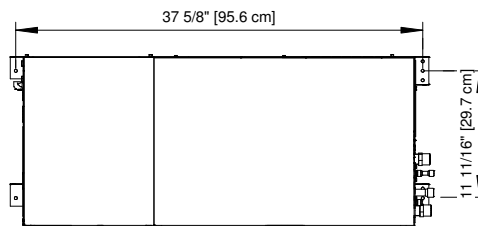
NO JUNCTION BOX OPTION



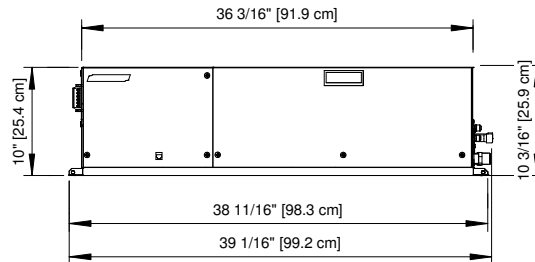
LEFT VIEW



RIGHT VIEW



TOP VIEW



FRONT VIEW



DA091

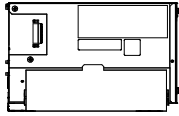
ALL MEASUREMENTS ARE TAKEN PER
ASHRAE-72-2005 SPECIFICATIONS.

Rev. Date	Rev. #	Rev. Title
9-17-20	5	UPDATE TO V5
7-17-19	4	DATA UPDATE

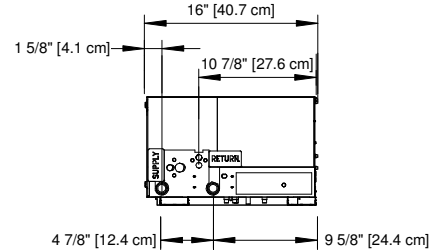


A DOVER COMPANY

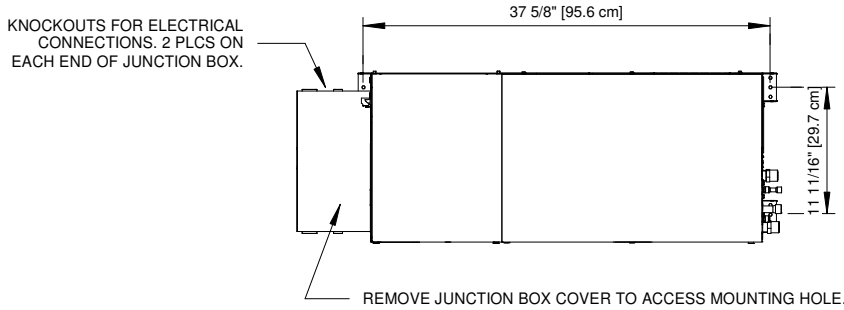
JUNCTION BOX OPTION



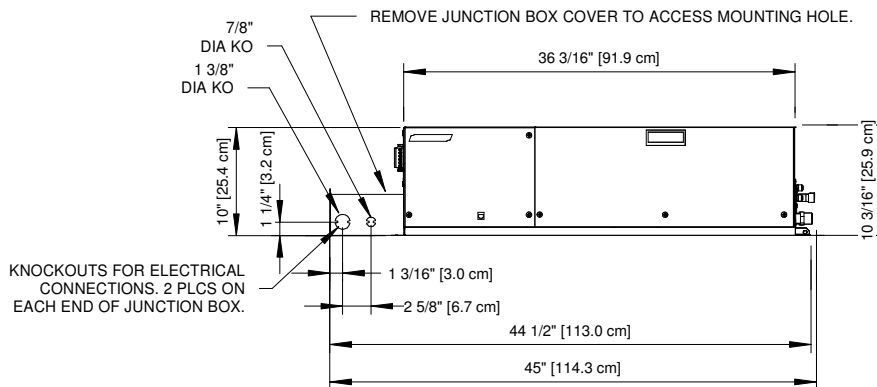
LEFT VIEW



RIGHT VIEW



TOP VIEW



FRONT VIEW



ALL MEASUREMENTS ARE TAKEN PER
ASHRAE-72-2005 SPECIFICATIONS.

DA091

Rev. Date	Rev. #	Rev. Title
9-17-20	5	UPDATE TO V5
7-17-19	4	DATA UPDATE



A DOVER COMPANY