

# DA220

SoloChill Micro Distributed Model  
End Water Egress

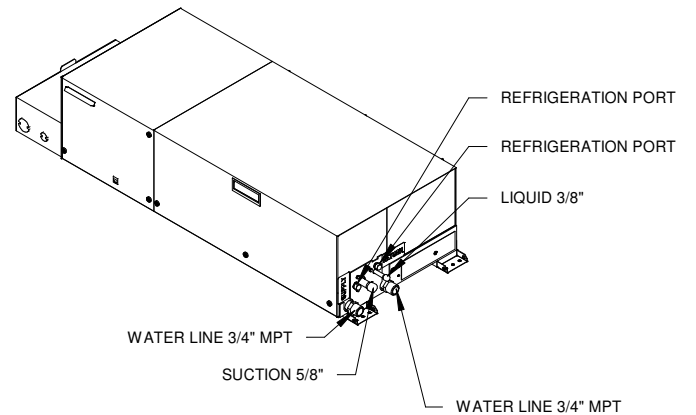
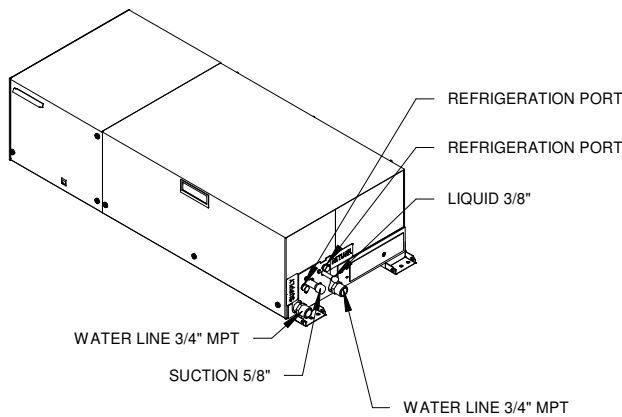
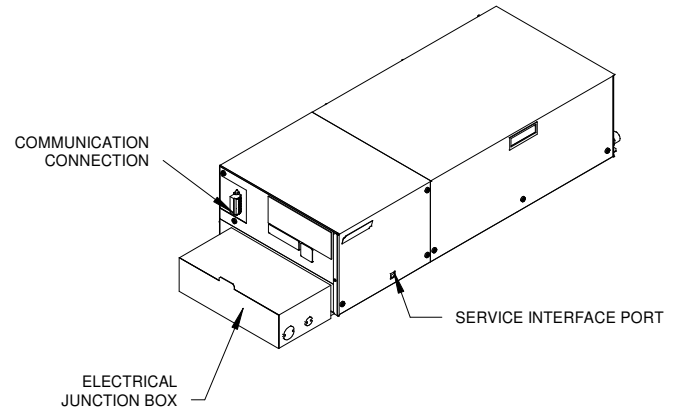
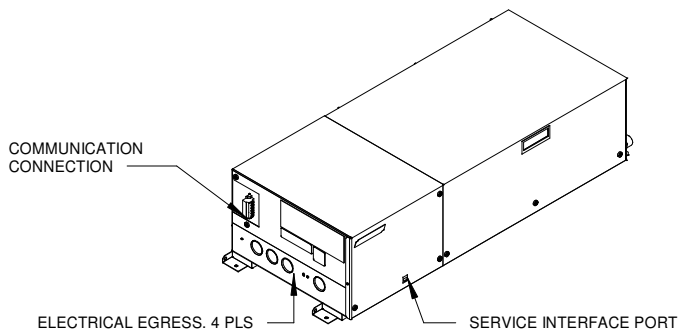


**GENERAL NOTES:**

- "---" indicates that the feature is not an option on this case model and/or the data is not available at this time.
- Versions with junction box are supplied when unit is field installed remote from case/unit cooler.

NO JUNCTION BOX OPTION

JUNCTION BOX OPTION



SHIPPING WEIGHT	
Case	Weight
DA220	150 lbs.



**DA220**

ALL MEASUREMENTS ARE TAKEN PER ASHRAE-72-2005 SPECIFICATIONS.

Rev. Date	Rev. #	Rev. Title
9-17-20	5	UPDATE TO V5
7-17-19	4	DATA UPDATE



A DOVER COMPANY



Volts	Phase	Frequency (Hz)	Wire	MRC	MOP
208	1	60	3 Wire + Ground	13	15

TABLE A		
Circuit	MT Models	LT Models
Lights	6A	6A
Fans	6A	30A
Defrost Heaters	N/A	30A
A/S Heaters	30A	30A

R448A			
Evaporator Temp (°F)	Required Capacity	Flow Rate	THR (BTUH)
35	18146	6.1	21437
30	16316	5.6	19606
25	14588	5.1	17852
20	13019	4.7	16244
15	11539	4.2	14701
10	10206	3.8	13296
5	8950	3.4	11946
0	7829	3.1	10725
-5	6287	2.5	8870
-10	5421	2.3	7891
-15	4603	2.0	6942
-20	3889	1.7	6101
-25	3214	1.5	5283
-30	2633	1.3	4565

**NOTES:**

- "---" indicates that the feature is not an option on this case model and/or the data is not available at this time.
- Use conventional BTUH on case cutsheet for HPQA unit sizing. Excess capacity for pulldown is integrated into HPQA BTUH data.
- 208V 4Wire [L1, L2, N, G]
- Maximum water temperature is 95°F (preferred temperature is 70-80°F for max efficiency).
- Use Belden Cable 8762 or equivalent (2C 20AWG shielded cable) for all field RS485 and pLAN communications.
- MOP shown for SoloChill only. It does not include additional electrical circuits such as fans, lights, defrost/heaters, and A/C heaters.
- Table A includes maximum ampacity allowed through SoloChill unit for each circuit.



**DA220**

ALL MEASUREMENTS ARE TAKEN PER ASHRAE-72-2005 SPECIFICATIONS.

Rev. Date	Rev. #	Rev. Title
9-17-20	5	UPDATE TO V5
7-17-19	4	DATA UPDATE



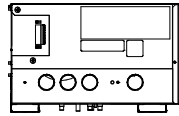
A DOVER COMPANY

# DA220

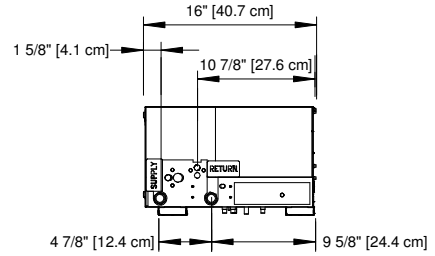
SoloChill Micro Distributed Model  
End Water Egress

## NO JUNCTION BOX OPTION

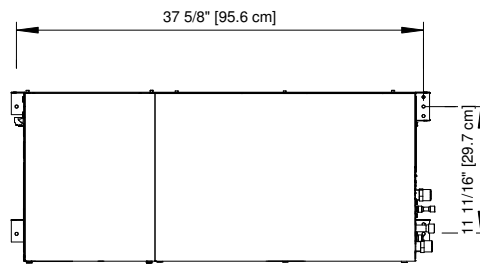
**SOLOCHILL**  
MICRO DISTRIBUTED



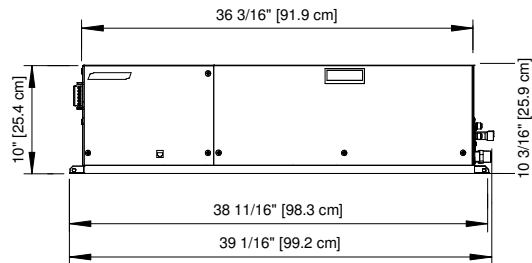
LEFT VIEW



RIGHT VIEW



TOP VIEW



FRONT VIEW



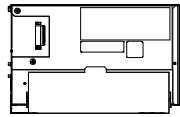
## DA220

ALL MEASUREMENTS ARE TAKEN PER  
ASHRAE-72-2005 SPECIFICATIONS.

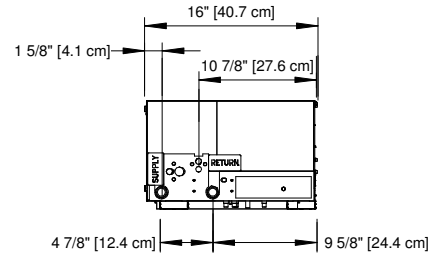
Rev. Date	Rev. #	Rev. Title
9-17-20	5	UPDATE TO V5
7-17-19	4	DATA UPDATE

**Hillphoenix**  
A DOVER COMPANY

## JUNCTION BOX OPTION

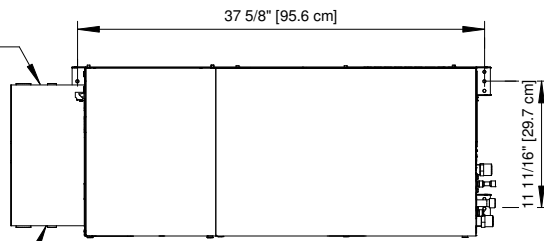


LEFT VIEW



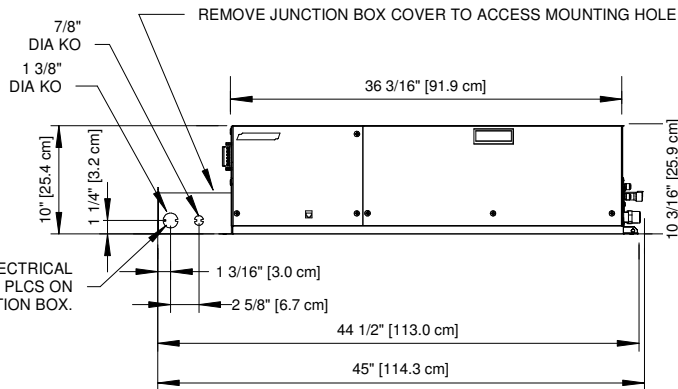
RIGHT VIEW

KNOCKOUTS FOR ELECTRICAL CONNECTIONS. 2 PLCS ON EACH END OF JUNCTION BOX.



REMOVE JUNCTION BOX COVER TO ACCESS MOUNTING HOLE.

TOP VIEW



KNOCKOUTS FOR ELECTRICAL CONNECTIONS. 2 PLCS ON EACH END OF JUNCTION BOX.

FRONT VIEW



**DA220**

ALL MEASUREMENTS ARE TAKEN PER ASHRAE-72-2005 SPECIFICATIONS.

Rev. Date	Rev. #	Rev. Title
9-17-20	5	UPDATE TO V5
7-17-19	4	DATA UPDATE



A DOVER COMPANY