

# DA330

SoloChill Micro Distributed Model  
End Water Egress

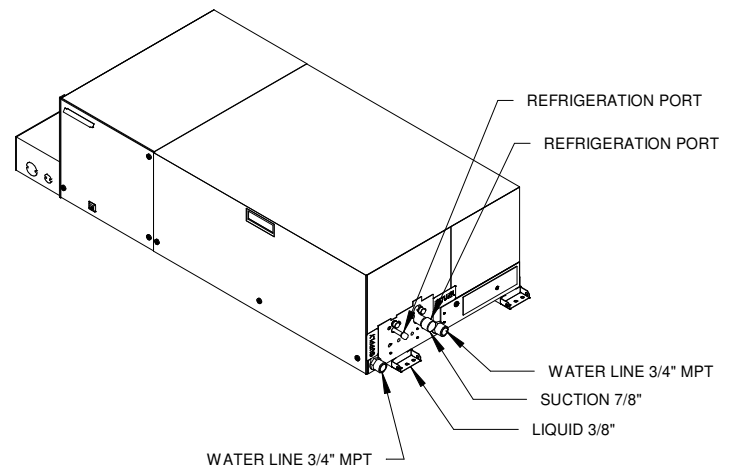
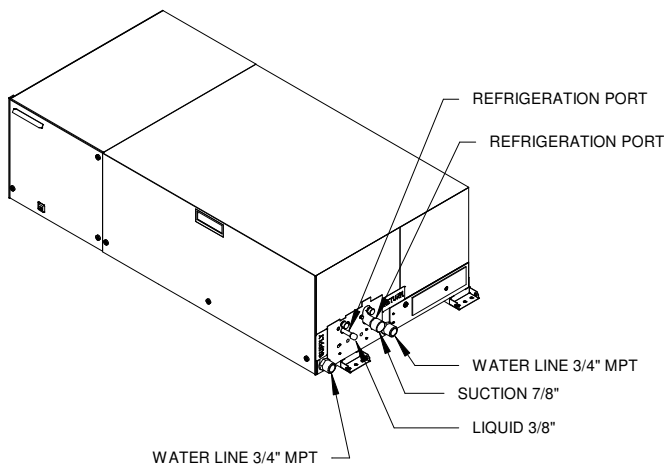
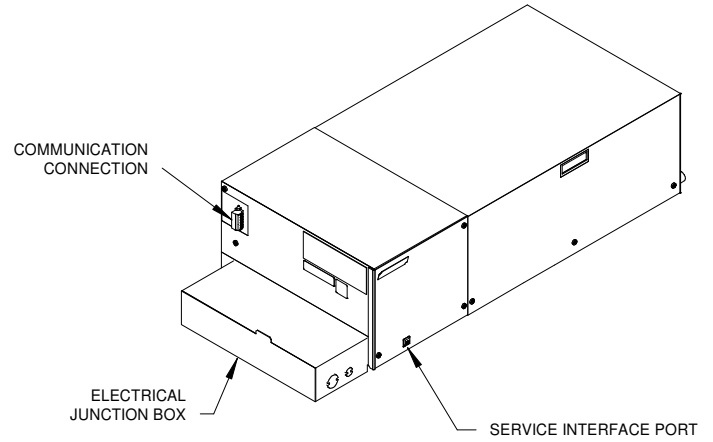
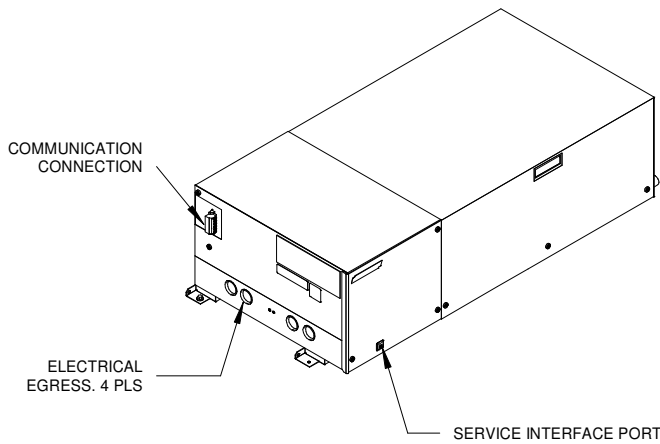


**GENERAL NOTES:**

- "---" indicates that the feature is not an option on this case model and/or the data is not available at this time.
- Versions with junction box are supplied when unit is field installed remote from case/unit cooler.

NO JUNCTION BOX OPTION

JUNCTION BOX OPTION



SHIPPING WEIGHT	
Case	Weight
DA330	200 lbs.



**DA330**

ALL MEASUREMENTS ARE TAKEN PER ASHRAE-72-2005 SPECIFICATIONS.

Rev. Date	Rev. #	Rev. Title
9-17-20	5	UPDATE TO V5
7-17-19	4	DATA UPDATE



A DOVER COMPANY

# DA330



Volts	Phase	Frequency (Hz)	Wire	MRC	MOP
208	1	60	3 Wire + Ground	19	20

**TABLE A**

Circuit	MT Models	LT Models
Lights	6A	6A
Fans	6A	30A
Defrost Heaters	N/A	30A
A/S Heaters	30A	30A

**R448A**

Evaporator Temp (°F)	Required Capacity	Flow Rate	THR (BTUH)
35	22178	7.6	26603
30	19941	7.0	24365
25	17829	6.4	22217
20	15912	5.8	20247
15	14103	5.3	18354
10	12474	4.8	16628
5	10938	4.3	14967
0	9569	3.9	13463
-5	7684	3.2	11176
-10	6626	2.9	9964
-15	5625	2.5	8789
-20	4754	2.2	7743
-25	3928	1.9	6725
-30	3218	1.7	5830

**NOTES:**

- "----" indicates that the feature is not an option on this case model and/or the data is not available at this time.
- Use conventional BTUH on case cutsheet for HPQA unit sizing. Excess capacity for pulldown is integrated into HPQA BTUH data.
- 208V 4Wire [L1, L2, N, G]
- Maximum water temperature is 95°F (preferred temperature is 70-80°F for max efficiency).
- Use Belden Cable 8762 or equivalent (2C 20AWG shielded cable) for all field RS485 and pLAN communications.
- MOP shown for SoloChill only. It does not include additional electrical circuits such as fans, lights, defrost/heaters, and A/C heaters.
- Table A includes maximum ampacity allowed through SoloChill unit for each circuit.



**DA330**

ALL MEASUREMENTS ARE TAKEN PER ASHRAE-72-2005 SPECIFICATIONS.

Rev. Date	Rev. #	Rev. Title
9-17-20	5	UPDATE TO V5
7-17-19	4	DATA UPDATE



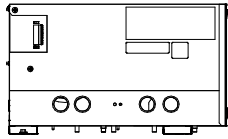
A DOVER COMPANY

# DA330

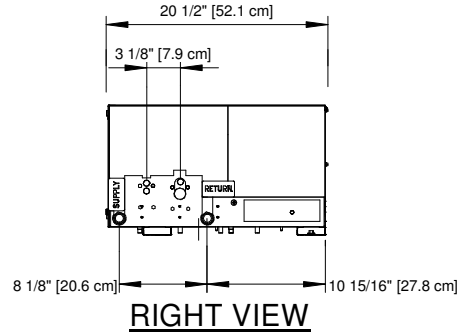
SoloChill Micro Distributed Model  
End Water Egress

## NO JUNCTION BOX OPTION

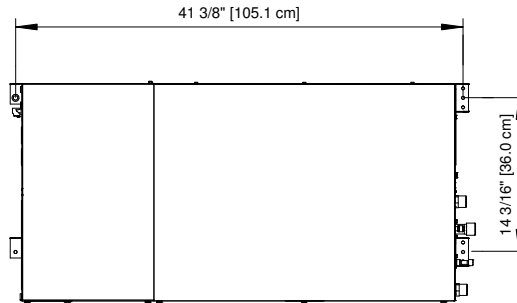
**SOLOCHILL**  
MICRO DISTRIBUTED



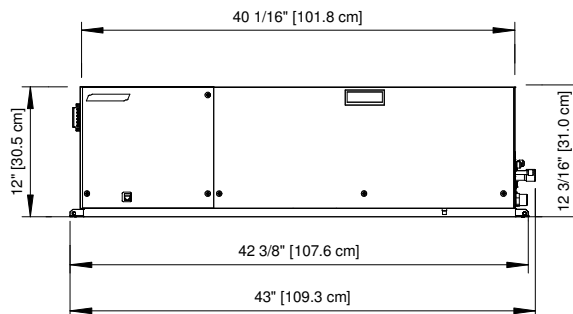
LEFT VIEW



RIGHT VIEW



TOP VIEW



FRONT VIEW



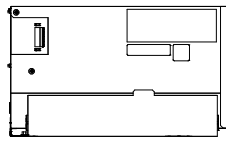
## DA330

ALL MEASUREMENTS ARE TAKEN PER  
ASHRAE-72-2005 SPECIFICATIONS.

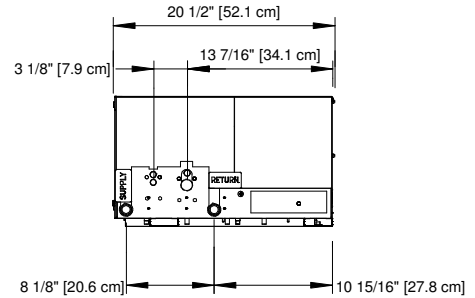
Rev. Date	Rev. #	Rev. Title
9-17-20	5	UPDATE TO V5
7-17-19	4	DATA UPDATE

**Hillphoenix**  
A DOVER COMPANY

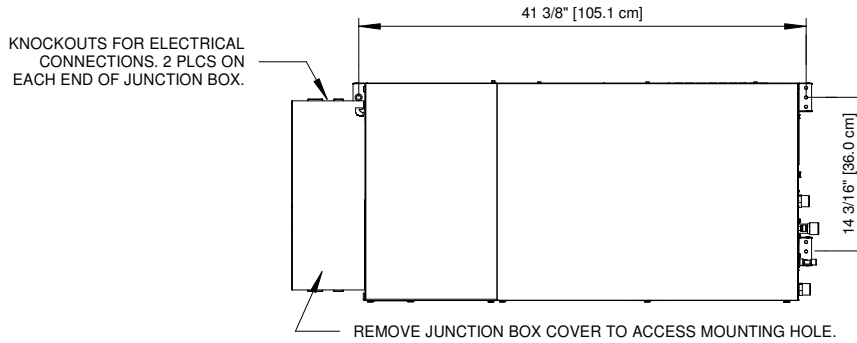
## JUNCTION BOX OPTION



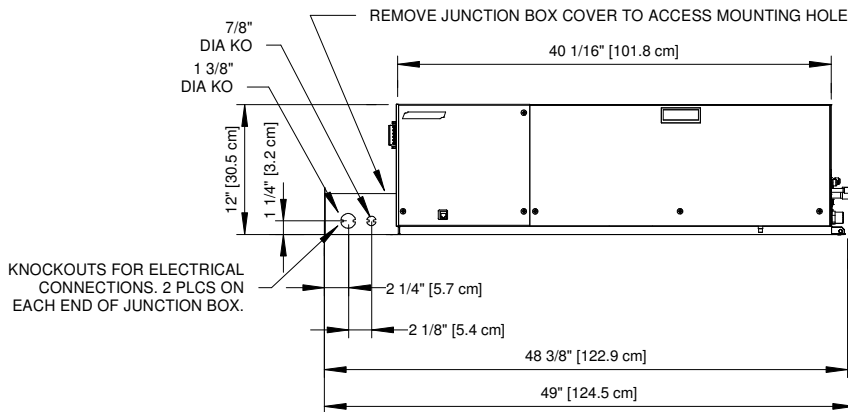
LEFT VIEW



RIGHT VIEW



TOP VIEW



FRONT VIEW



ALL MEASUREMENTS ARE TAKEN PER  
ASHRAE-72-2005 SPECIFICATIONS.

### DA330

Rev. Date	Rev. #	Rev. Title
9-17-20	5	UPDATE TO V5
7-17-19	4	DATA UPDATE



A DOVER COMPANY