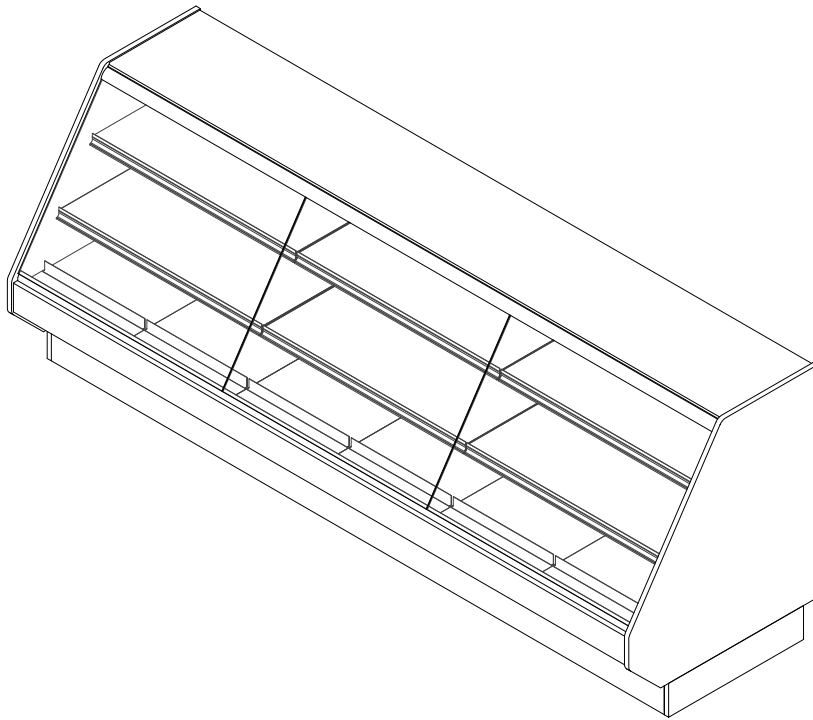


GENERAL NOTES:

- "---" Indicates that the feature is not an option on this case model and/or the data is not yet available at this time.
- Curved glass (optional)



SHIPPING WEIGHT	
Case	Weight
BMD-D BAKERY	---



ENGINEERED FOR STORES WITH AMBIENT CONDITIONS NOT TO EXCEED 75° AND 55% RELATIVE HUMIDITY. DUE TO ENGINEERING IMPROVEMENTS SPECIFICATIONS MAY CHANGE WITHOUT NOTICE. ALL MEASUREMENTS ARE TAKEN PER ASHRAE-72-2005 SPECIFICATIONS. NUMBERS ARE BASED ON STANDARD CASE SIZES. CONSULT ENGINEERING.

BMD-D BAKERY

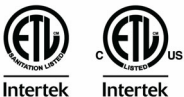
Rev. Date	Rev. #	Rev. Title
05-18-21	5	NAME UPDATE
03-11-21	4	LOGO UPDATE



BMD-D BAKERY

Service Multi-Deck Merchandiser w/ Flat or Curved Lift Glass
4', 6', 8', 10' & 12' (Bakery)

LIGHTING DATA						
Case Length	Lights Per Row	Light Length	Clearvoyant 4 LED Lighting (Per Light Row)			
			Standard Power (Cornice or Shelf)		High Power (Cornice)	
			120 Volts		120 Volts	
			Amps	Watts	Amps	Watts
4'	1	4'	0.05	5.9	0.12	14.9
6'	2	3'	0.08	9.4	0.20	23.8
8'	2	4'	0.10	11.8	0.24	29.8
10'	2	5'	0.12	15.0	0.30	37.0
12'	3	4'	0.15	17.7	0.36	44.7



ENGINEERED FOR STORES WITH AMBIENT CONDITIONS NOT TO EXCEED 75° AND 55% RELATIVE HUMIDITY. DUE TO ENGINEERING IMPROVEMENTS SPECIFICATIONS MAY CHANGE WITHOUT NOTICE. ALL MEASUREMENTS ARE TAKEN PER ASHRAE-72-2005 SPECIFICATIONS. NUMBERS ARE BASED ON STANDARD CASE SIZES. CONSULT ENGINEERING.

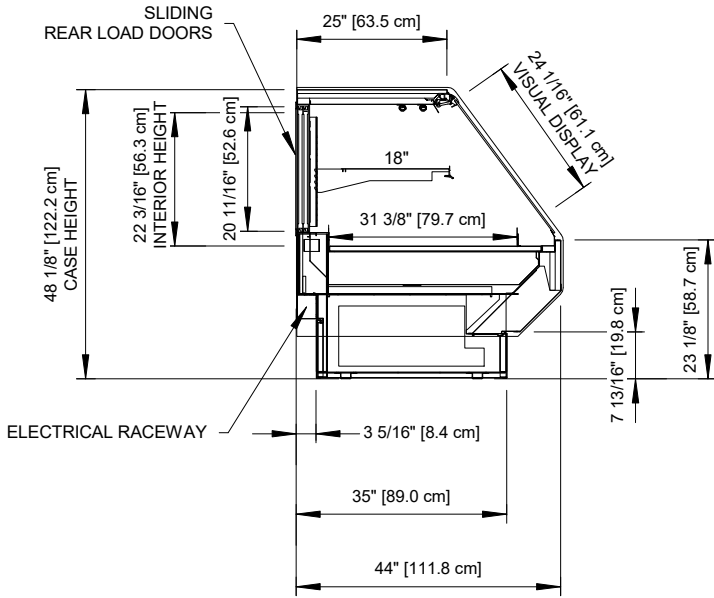
BMD-D BAKERY

Rev. Date	Rev. #	Rev. Title
05-18-21	5	NAME UPDATE
03-11-21	4	LOGO UPDATE

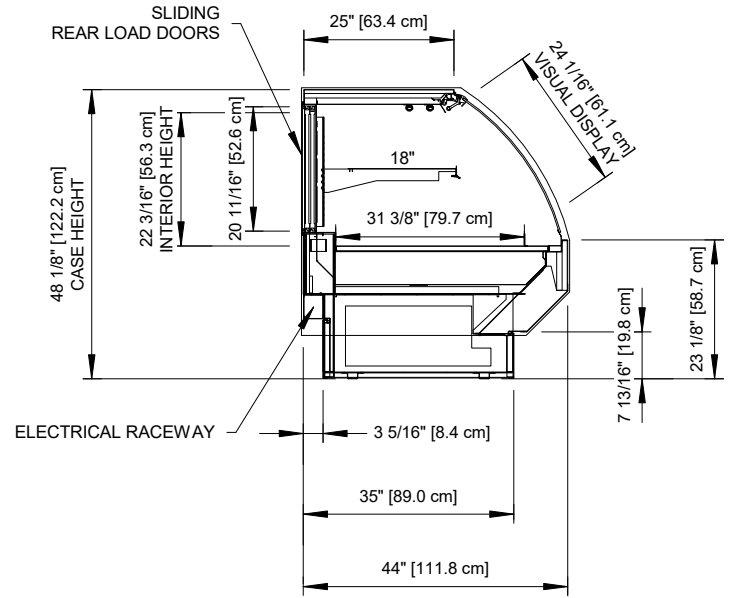


BMD-D BAKERY

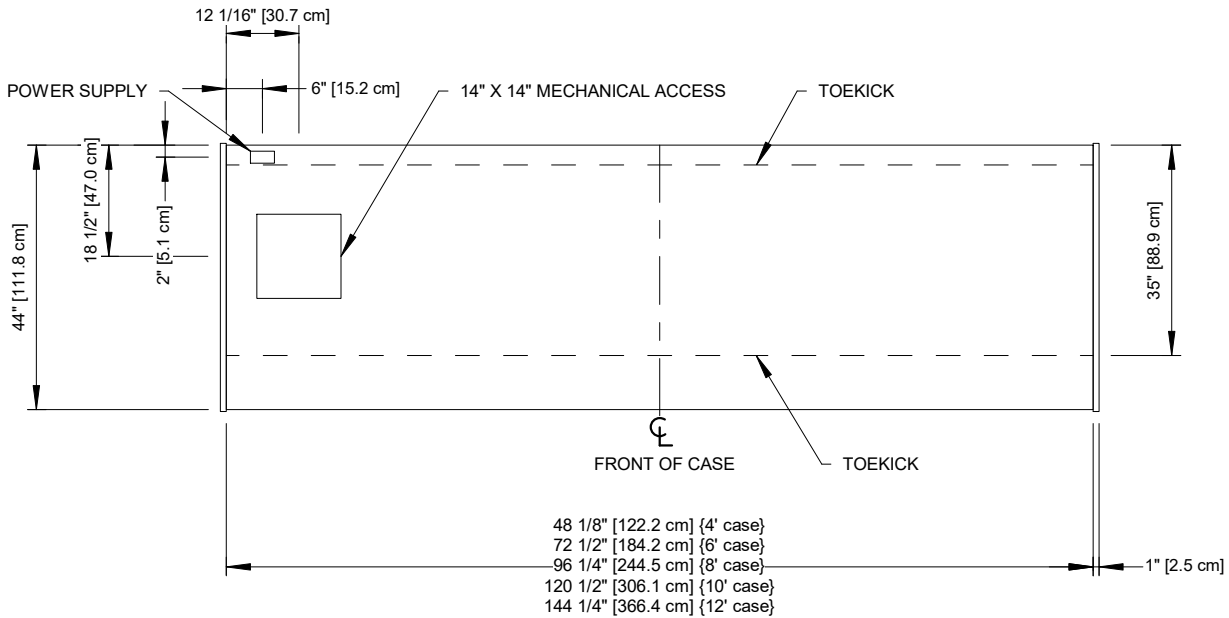
Service Multi-Deck Merchandiser w/ Flat or Curved Lift Glass
4', 6', 8', 10' & 12' (Bakery)



FLAT GLASS



CURVED GLASS (OPTIONAL)



ENGINEERED FOR STORES WITH AMBIENT CONDITIONS NOT TO EXCEED 75° AND 55% RELATIVE HUMIDITY. DUE TO ENGINEERING IMPROVEMENTS SPECIFICATIONS MAY CHANGE WITHOUT NOTICE. ALL MEASUREMENTS ARE TAKEN PER ASHRAE-72-2005 SPECIFICATIONS. NUMBERS ARE BASED ON STANDARD CASE SIZES. CONSULT ENGINEERING.

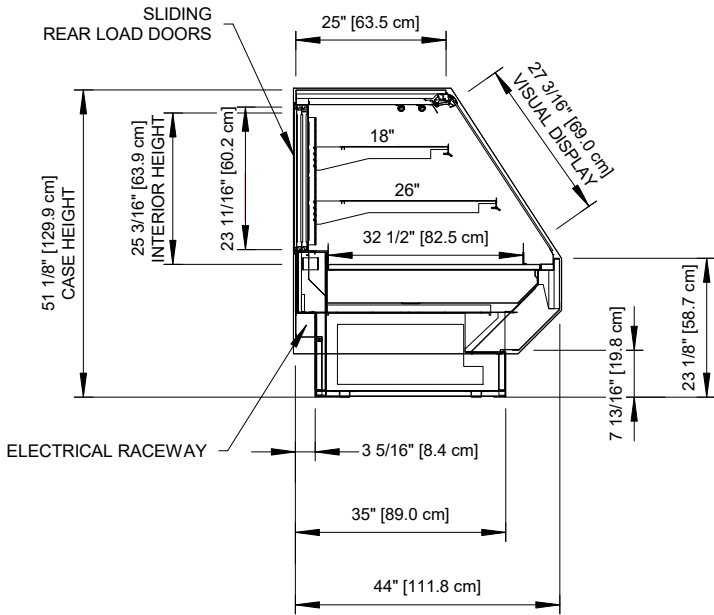
BMD-D BAKERY

Rev. Date	Rev. #	Rev. Title
05-18-21	5	NAME UPDATE
03-11-21	4	LOGO UPDATE

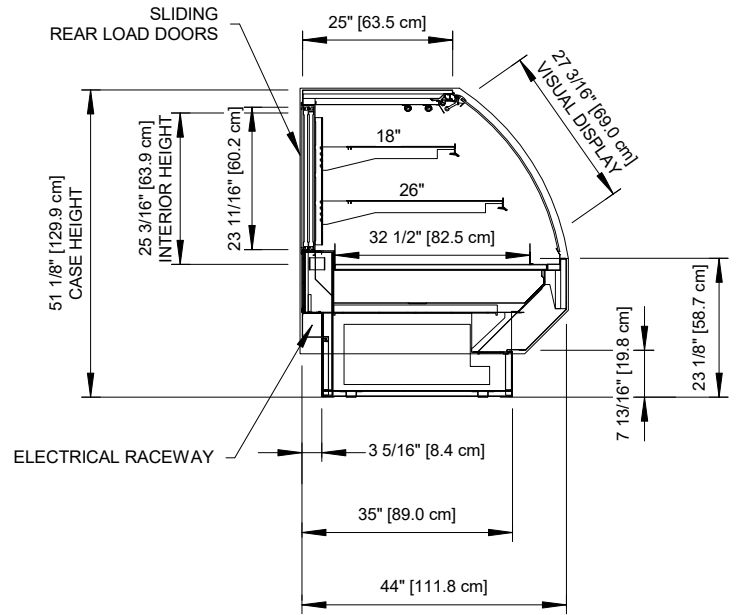


BMD-D BAKERY

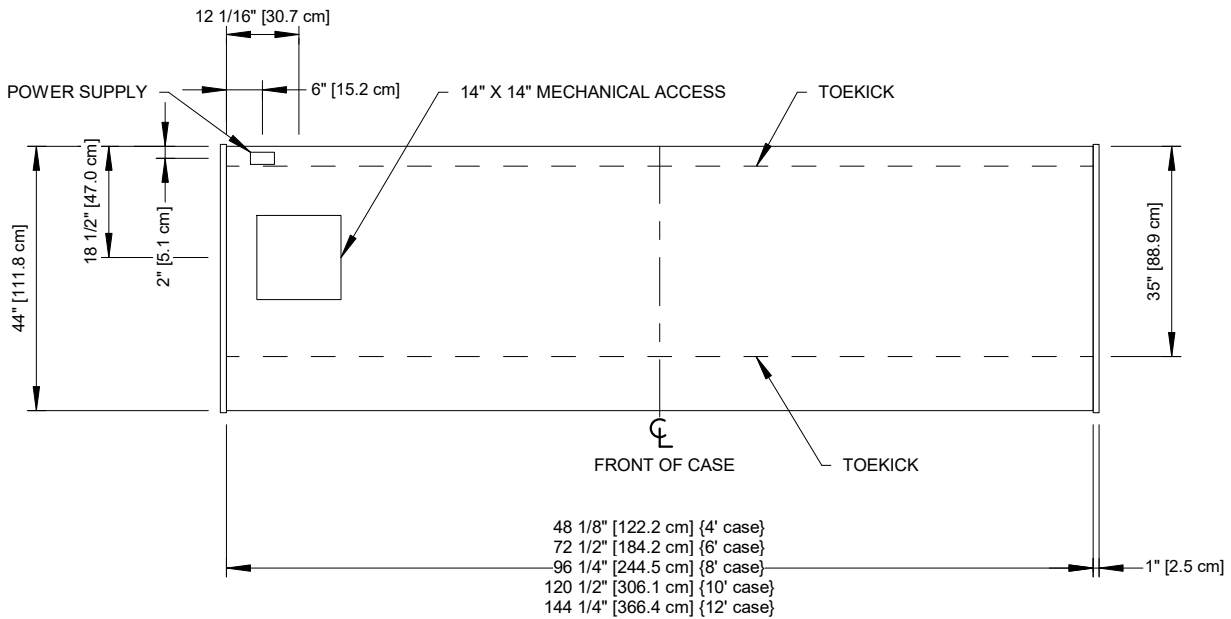
Service Multi-Deck Merchandiser w/ Flat or Curved Lift Glass
4', 6', 8', 10' & 12' (Bakery)



FLAT GLASS



CURVED GLASS (OPTIONAL)



ENGINEERED FOR STORES WITH AMBIENT CONDITIONS NOT TO EXCEED 75° AND 55% RELATIVE HUMIDITY. DUE TO ENGINEERING IMPROVEMENTS SPECIFICATIONS MAY CHANGE WITHOUT NOTICE. ALL MEASUREMENTS ARE TAKEN PER ASHRAE-72-2005 SPECIFICATIONS. NUMBERS ARE BASED ON STANDARD CASE SIZES. CONSULT ENGINEERING.

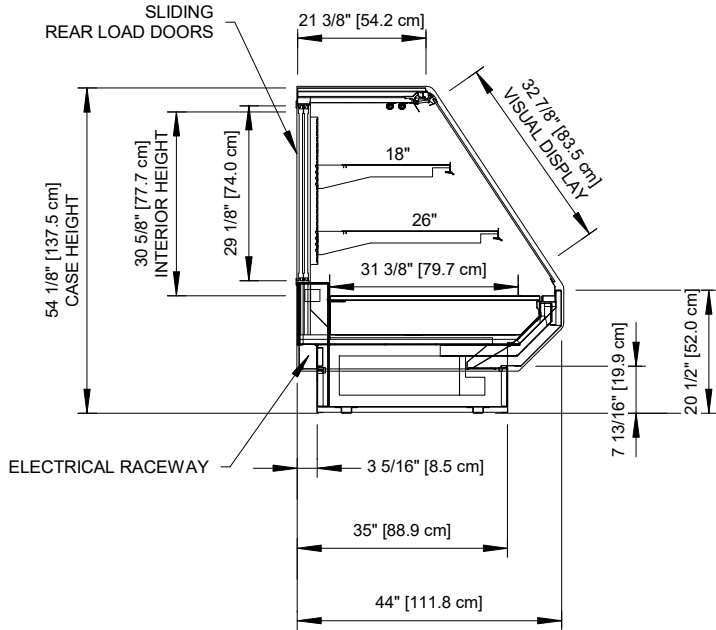
BMD-D BAKERY

Rev. Date	Rev. #	Rev. Title
05-18-21	5	NAME UPDATE
03-11-21	4	LOGO UPDATE

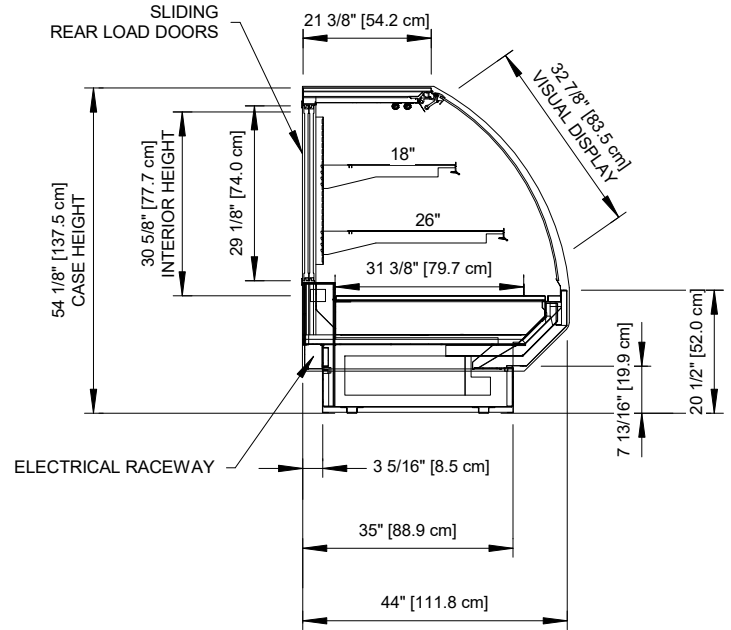


BMD-D BAKERY

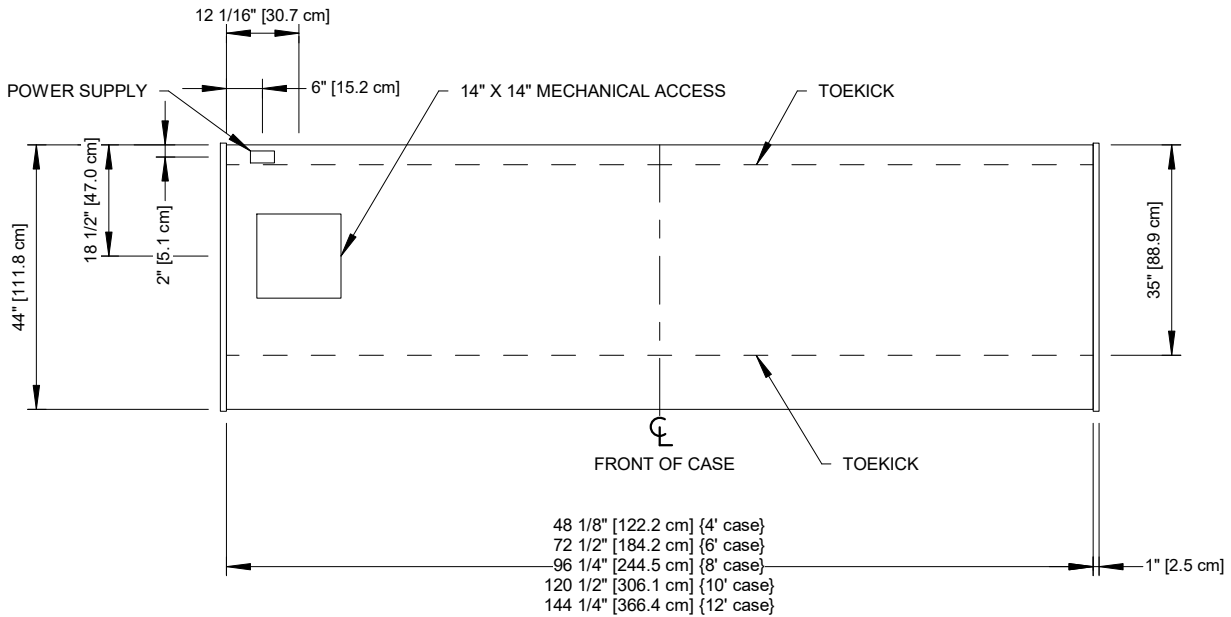
Service Multi-Deck Merchandiser w/ Flat or Curved Lift Glass
4', 6', 8', 10' & 12' (Bakery)



FLAT GLASS



CURVED GLASS (OPTIONAL)



ENGINEERED FOR STORES WITH AMBIENT CONDITIONS NOT TO EXCEED 75° AND 55% RELATIVE HUMIDITY. DUE TO ENGINEERING IMPROVEMENTS SPECIFICATIONS MAY CHANGE WITHOUT NOTICE. ALL MEASUREMENTS ARE TAKEN PER ASHRAE-72-2005 SPECIFICATIONS. NUMBERS ARE BASED ON STANDARD CASE SIZES. CONSULT ENGINEERING.

BMD-D BAKERY

Rev. Date	Rev. #	Rev. Title
05-18-21	5	NAME UPDATE
03-11-21	4	LOGO UPDATE

