

Service Multi-Deck Merchandiser w/ Curved or Flat Lift Glass

BMD BAKERY DRY - 4', 6', 8', 10' & 12'

Lighting Data

Model		Lights per Row	Light Length (ft)	Clearvoyant 4 LED Lighting (Per Light Row)			
				Standard Power (Cornice or Shelf)		High Power (Cornice)	
				120 Volts		120 Volts	
				Amps	Watts	Amps	Watts
BMD BAKERY	4'	1	4	0.05	5.9	0.12	14.9
	6'	2	3	0.08	9.4	0.20	23.8
	8'	2	4	0.10	11.8	0.24	29.8
	10'	2	5	0.12	15.0	0.30	37.0
	12'	3	4	0.15	17.7	0.36	44.7

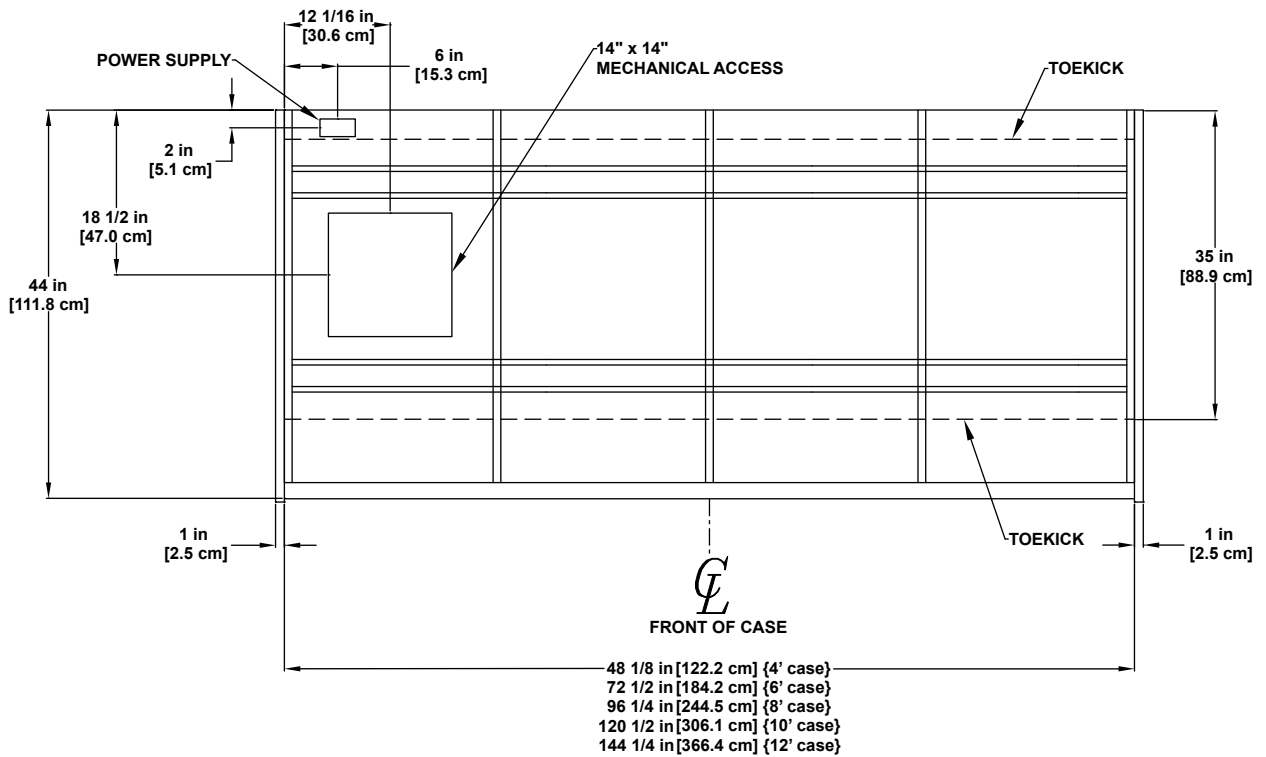
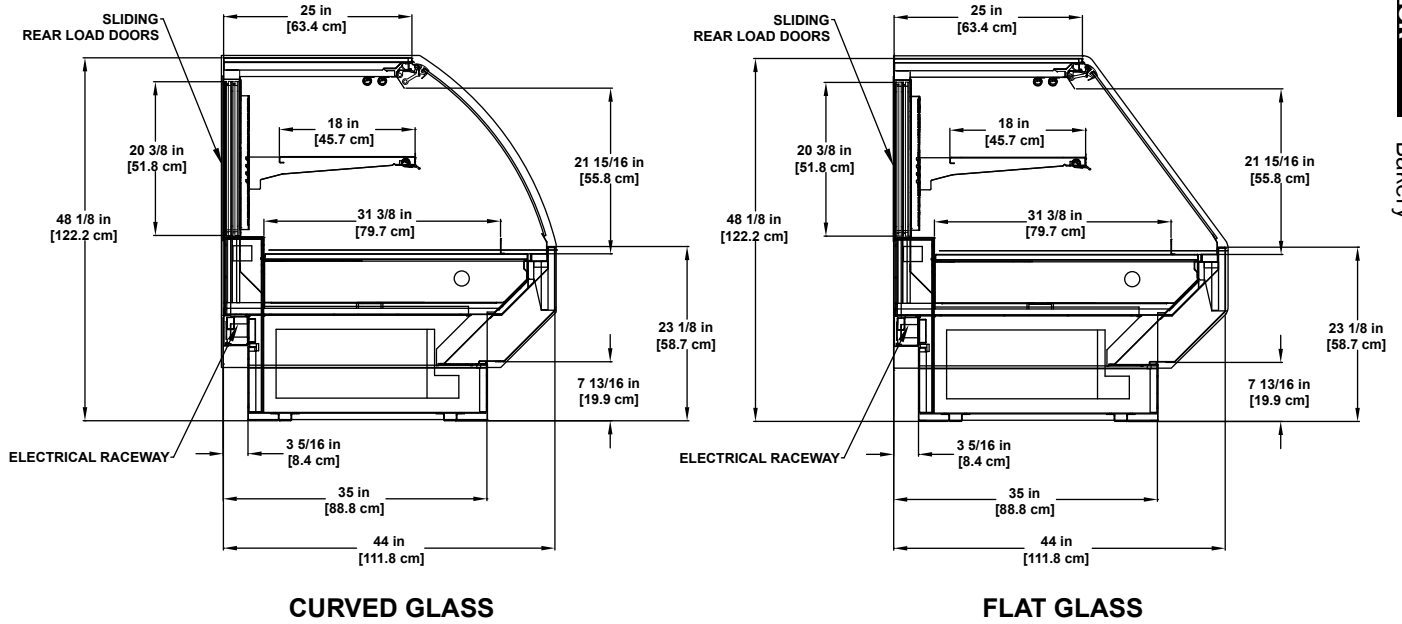
Engineered for stores with ambient conditions not to exceed 75° and 55% relative humidity.
 Due to engineering improvements specifications may change without notice.
 All measurements are taken per ASHRAE - 72 - 2005 specifications.
 Numbers are based on standard case sizes. Consult engineering.

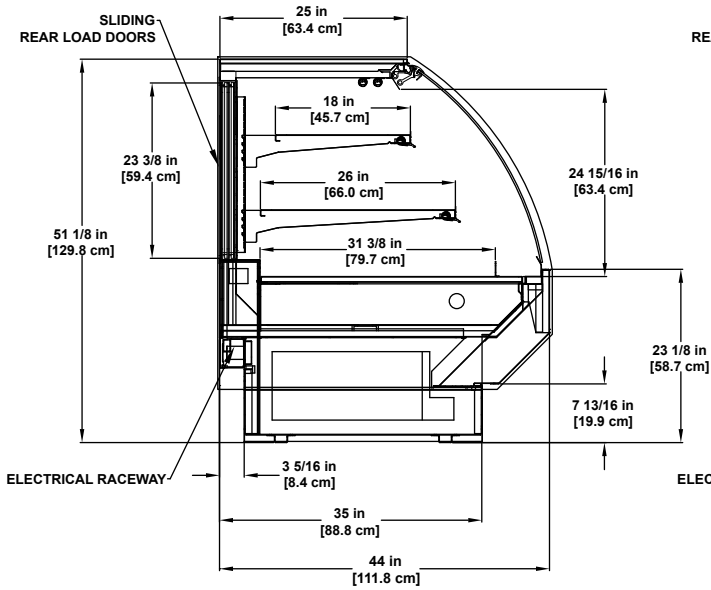


Clearvoyant™
LED SYSTEM

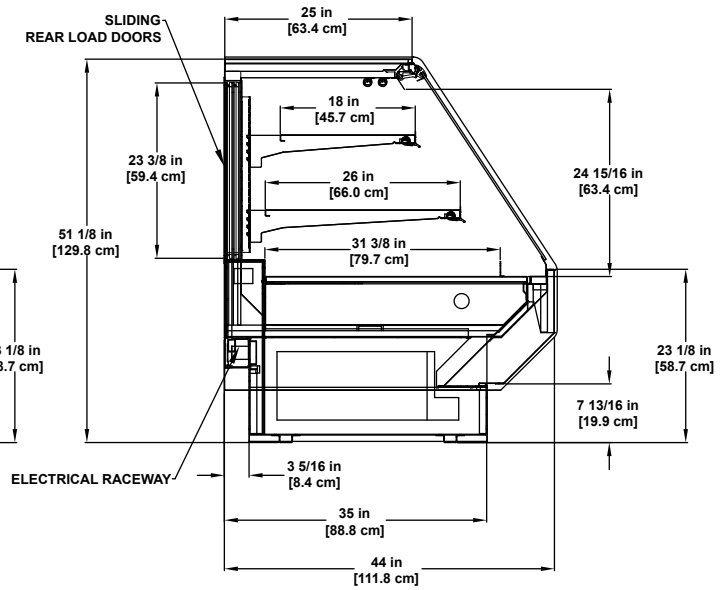
Hilphoenix / Barker
SPECIALTY PRODUCTS

BMD BAKERY
(48" Dry)

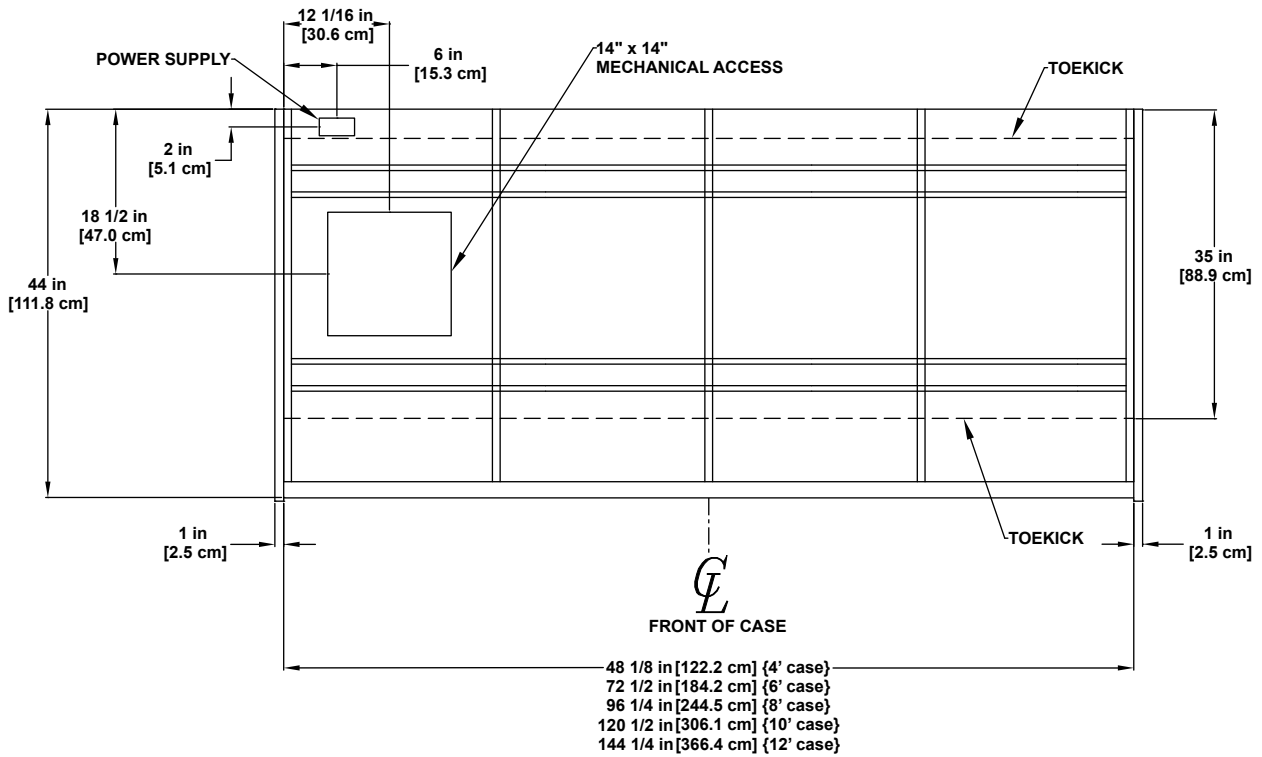


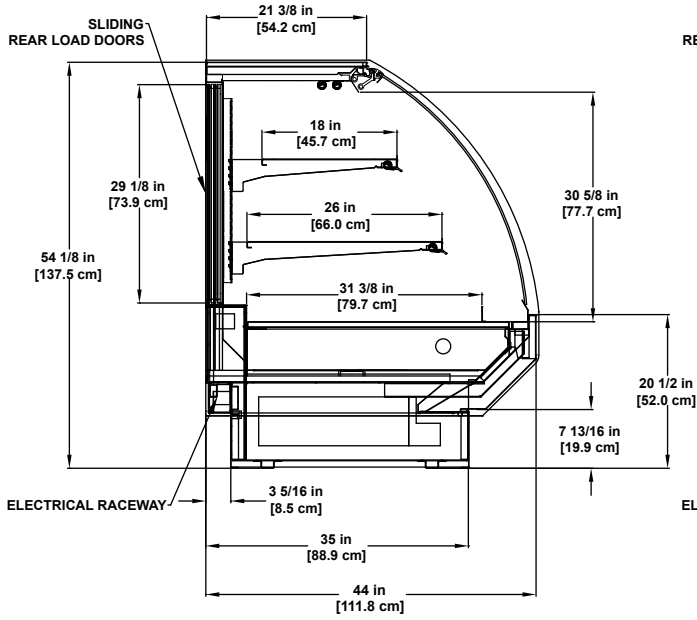


CURVED GLASS

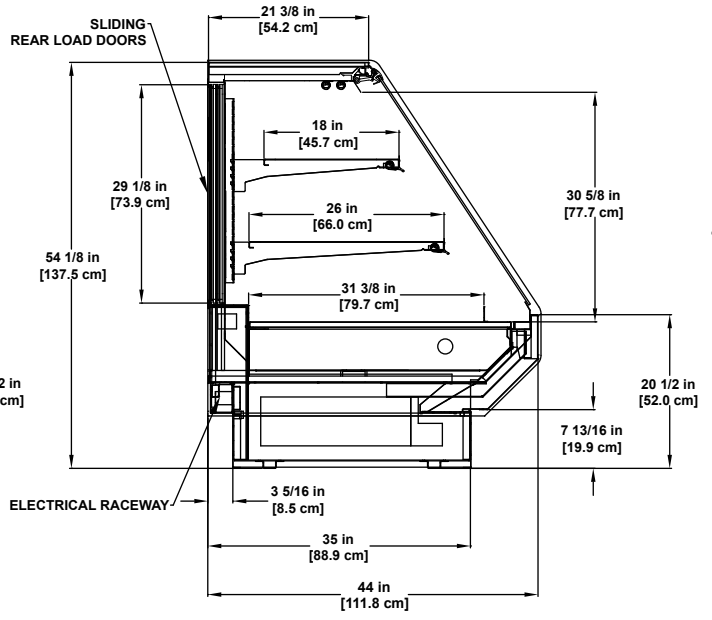


FLAT GLASS





CURVED GLASS



FLAT GLASS

