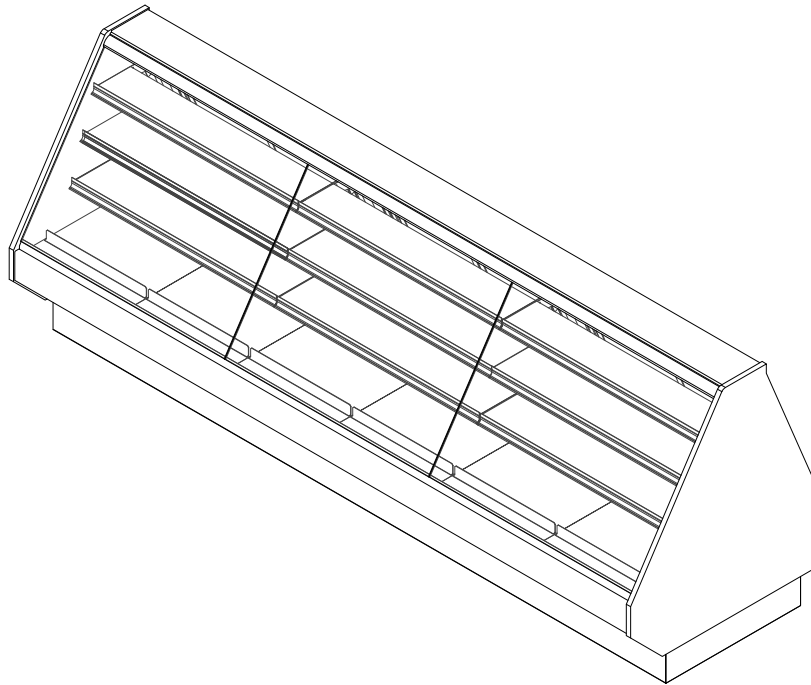


**GENERAL NOTES:**

- "----" Indicates that the feature is not an option on this case model and/or the data is not yet available at this time.
- Curved glass. (optional)
- Shelving. (optional)



SHIPPING WEIGHT	
Case	Weight
BMD-D	---



ENGINEERED FOR STORES WITH AMBIENT CONDITIONS NOT TO EXCEED 75° AND 55% RELATIVE HUMIDITY. DUE TO ENGINEERING IMPROVEMENTS SPECIFICATIONS MAY CHANGE WITHOUT NOTICE. ALL MEASUREMENTS ARE TAKEN PER ASHRAE-72-2005 SPECIFICATIONS. HILLPHOENIX REFRIGERATED DISPLAY CASES FOR SALE IN THE UNITED STATES MEET OR EXCEED DEPARTMENT OF ENERGY 2017 REQUIREMENTS. NUMBERS ARE BASED ON STANDARD CASE SIZES. CONSULT ENGINEERING.

**BMD-D**

Rev. Date	Rev. #	Rev. Title
09-29-20	3	ENDVIEW UPDATE
07-22-20	2	OPTIONS UPDATE

LIGHTING DATA						
Case Length	Lights Per Row	Light Length	Clearvoyant 4 LED Lighting (Per Light Row)			
			Standard Power (Cornice or Shelf)		High Power (Cornice)	
			120 Volts		120 Volts	
			Amps	Watts	Amps	Watts
4'	1	4'	0.05	5.9	0.12	14.9
6'	2	3'	0.08	9.4	0.20	23.8
8'	2	4'	0.10	11.8	0.24	29.8
10'	2	5'	0.12	15.0	0.30	37.0
12'	3	4'	0.15	17.7	0.36	44.7

**NOTES:**

- "---" Indicates that the feature is not an option on this case model and/or the data is not yet available at this time.



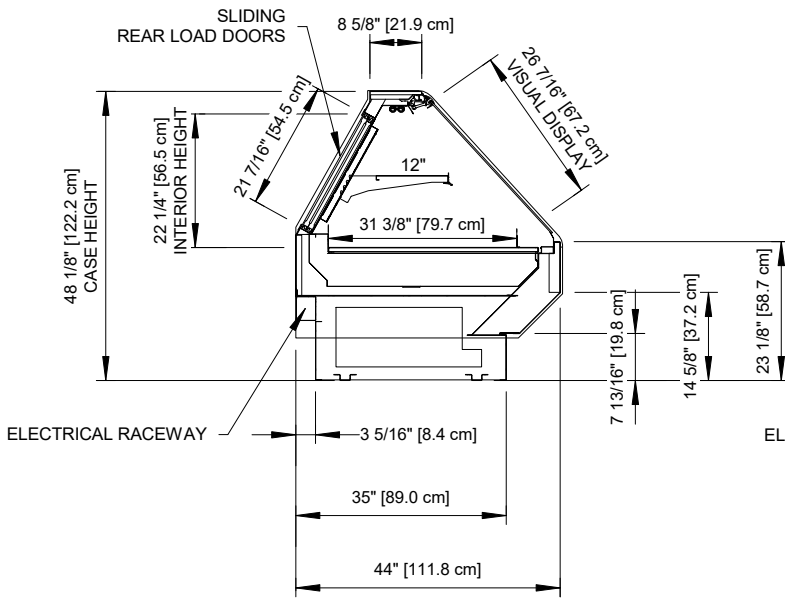
ENGINEERED FOR STORES WITH AMBIENT CONDITIONS NOT TO EXCEED 75° AND 55% RELATIVE HUMIDITY. DUE TO ENGINEERING IMPROVEMENTS SPECIFICATIONS MAY CHANGE WITHOUT NOTICE. ALL MEASUREMENTS ARE TAKEN PER ASHRAE-72-2005 SPECIFICATIONS. HILLPHOENIX REFRIGERATED DISPLAY CASES FOR SALE IN THE UNITED STATES MEET OR EXCEED DEPARTMENT OF ENERGY 2017 REQUIREMENTS. NUMBERS ARE BASED ON STANDARD CASE SIZES. CONSULT ENGINEERING.

**BMD-D**

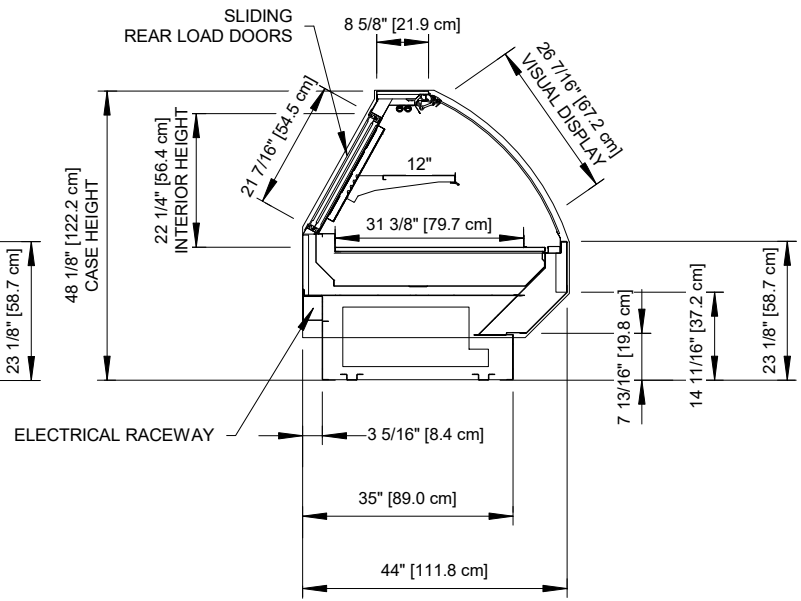
Rev. Date	Rev. #	Rev. Title
09-29-20	3	ENDVIEW UPDATE
07-22-20	2	OPTIONS UPDATE



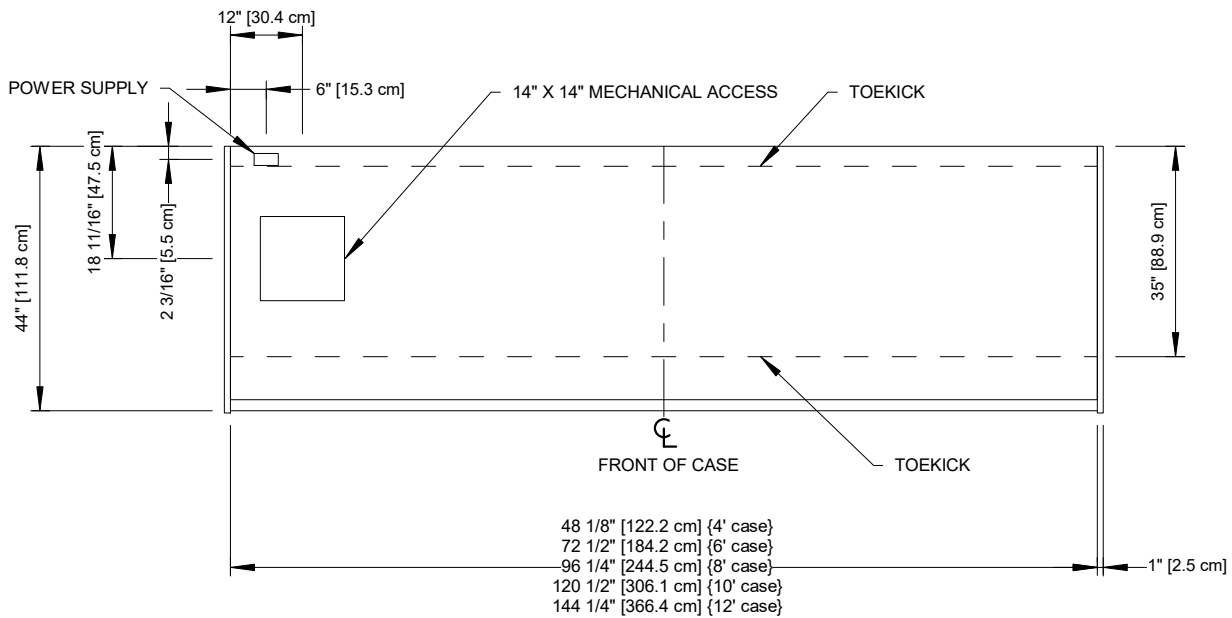
A DOVER COMPANY



**FLAT GLASS**



**CURVED GLASS (OPTIONAL)**



**NOTES:**

- Shown with optional shelving.



Intertek Intertek

ENGINEERED FOR STORES WITH AMBIENT CONDITIONS NOT TO EXCEED 75° AND 55% RELATIVE HUMIDITY. DUE TO ENGINEERING IMPROVEMENTS SPECIFICATIONS MAY CHANGE WITHOUT NOTICE. ALL MEASUREMENTS ARE TAKEN PER ASHRAE-72-2005 SPECIFICATIONS. HILLPHOENIX REFRIGERATED DISPLAY CASES FOR SALE IN THE UNITED STATES MEET OR EXCEED DEPARTMENT OF ENERGY 2017 REQUIREMENTS. NUMBERS ARE BASED ON STANDARD CASE SIZES. CONSULT ENGINEERING.

**BMD-D**

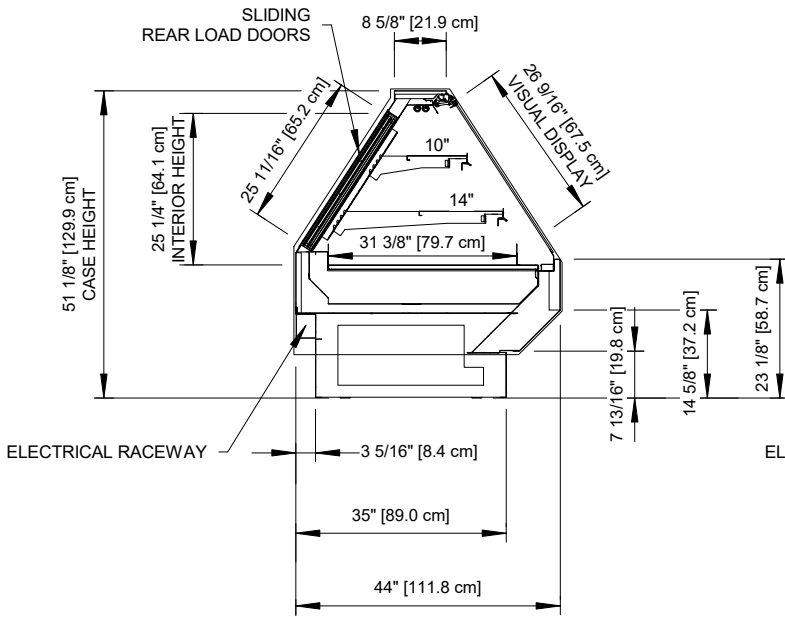
Rev. Date	Rev. #	Rev. Title
09-29-20	3	ENDVIEW UPDATE
07-22-20	2	OPTIONS UPDATE

**Hillphoenix**

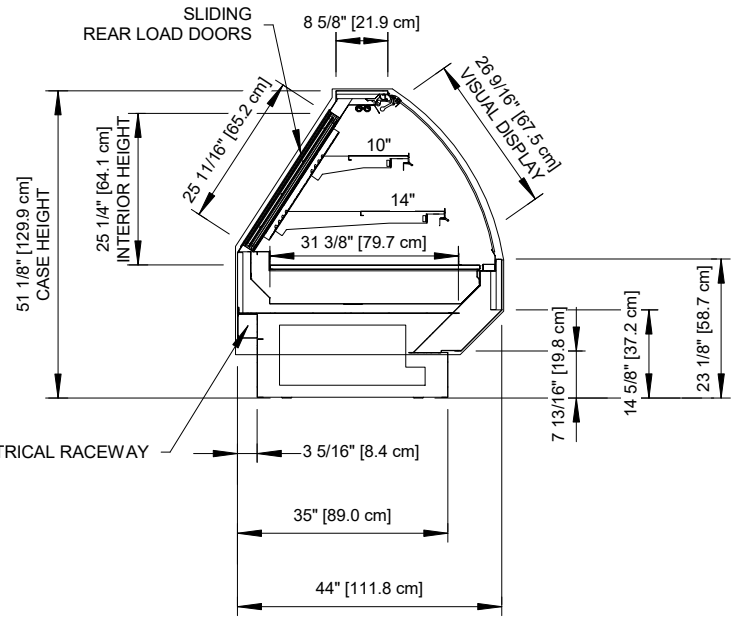
A DOVER COMPANY

# BMD-D

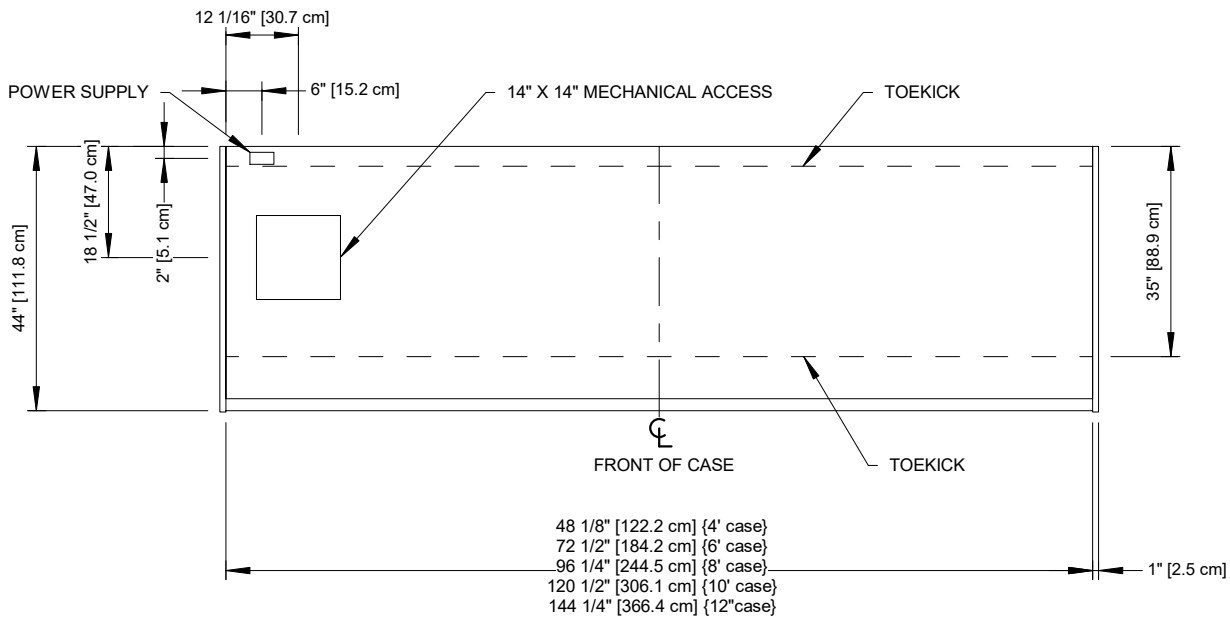
Service Multi-Deck Merchandiser w/ Flat Lift or Curved Glass  
4', 6', 8', 10' & 12' (Deli)



**FLAT GLASS**



**CURVED GLASS (OPTIONAL)**



**NOTES:**

- Shown with optional shelving.



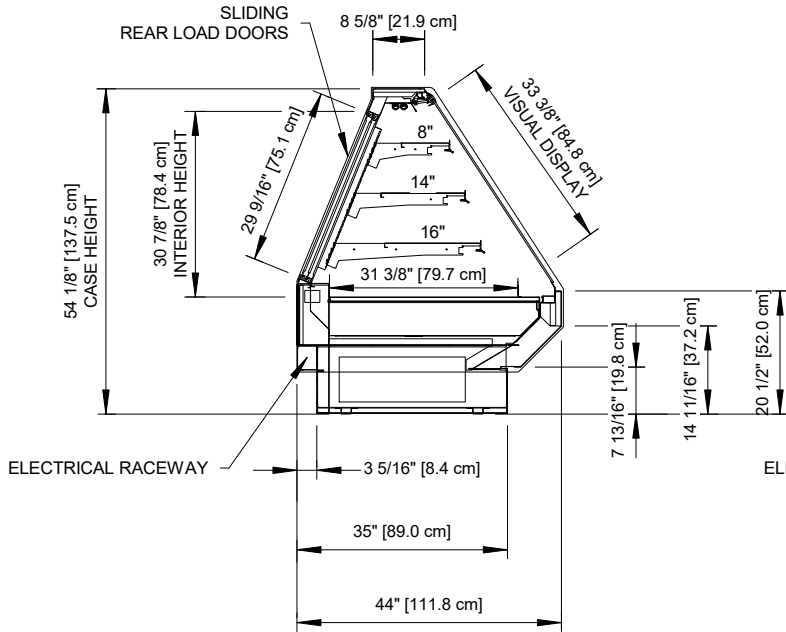
ENGINEERED FOR STORES WITH AMBIENT CONDITIONS NOT TO EXCEED 75° AND 55% RELATIVE HUMIDITY. DUE TO ENGINEERING IMPROVEMENTS SPECIFICATIONS MAY CHANGE WITHOUT NOTICE. ALL MEASUREMENTS ARE TAKEN PER ASHRAE-72-2005 SPECIFICATIONS. HILLPHOENIX REFRIGERATED DISPLAY CASES FOR SALE IN THE UNITED STATES MEET OR EXCEED DEPARTMENT OF ENERGY 2017 REQUIREMENTS. NUMBERS ARE BASED ON STANDARD CASE SIZES. CONSULT ENGINEERING.

**BMD-D**

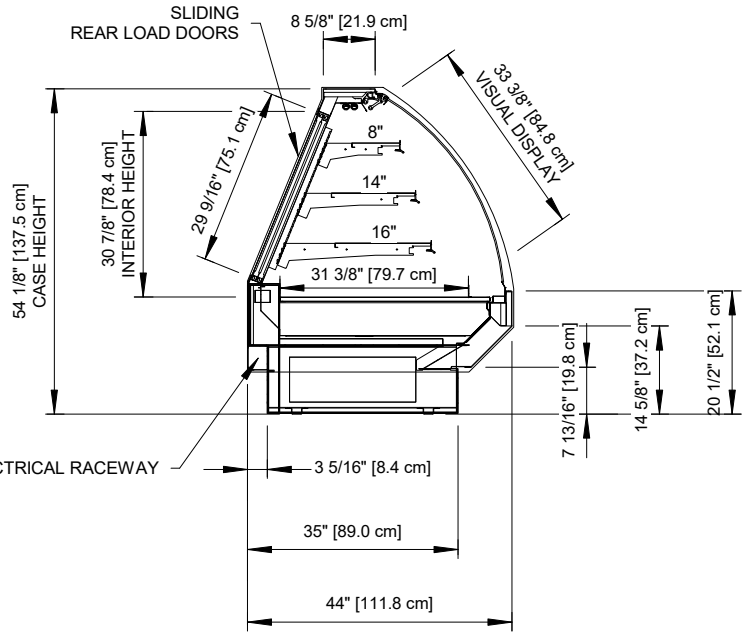
Rev. Date	Rev. #	Rev. Title
09-29-20	3	ENDVIEW UPDATE
07-22-20	2	OPTIONS UPDATE



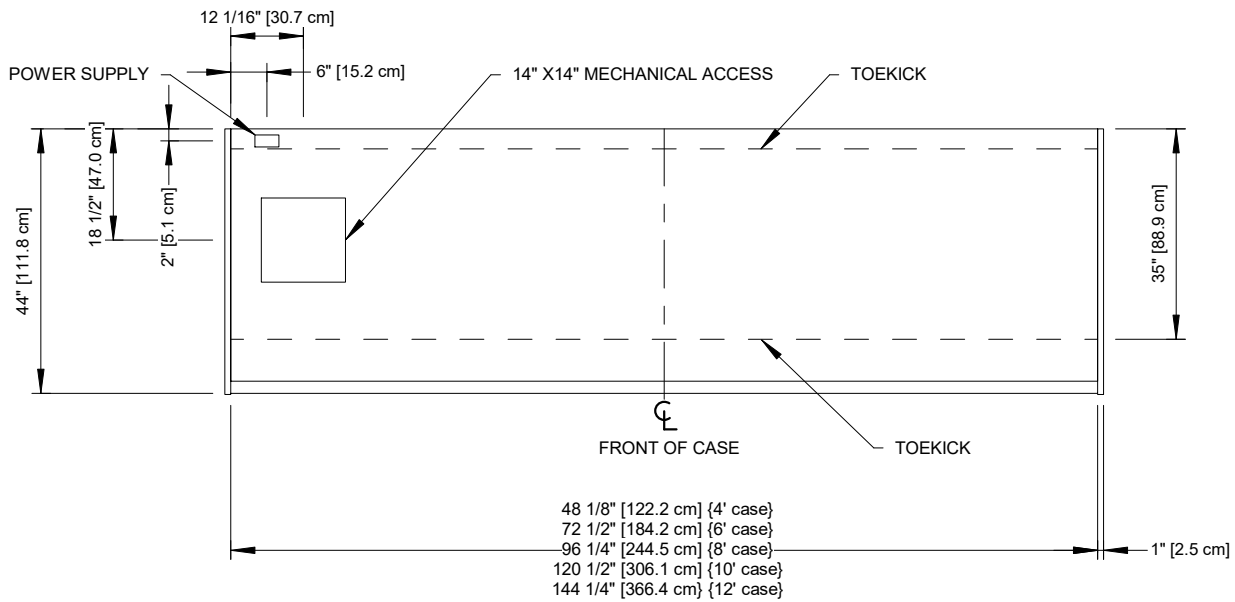
A DOVER COMPANY



**FLAT GLASS**



**CURVED GLASS (OPTIONAL)**



**NOTES:**

- Shown with optional shelving.



Intertek Intertek

ENGINEERED FOR STORES WITH AMBIENT CONDITIONS NOT TO EXCEED 75° AND 55% RELATIVE HUMIDITY. DUE TO ENGINEERING IMPROVEMENTS SPECIFICATIONS MAY CHANGE WITHOUT NOTICE. ALL MEASUREMENTS ARE TAKEN PER ASHRAE-72-2005 SPECIFICATIONS. HILLPHOENIX REFRIGERATED DISPLAY CASES FOR SALE IN THE UNITED STATES MEET OR EXCEED DEPARTMENT OF ENERGY 2017 REQUIREMENTS. NUMBERS ARE BASED ON STANDARD CASE SIZES. CONSULT ENGINEERING.

**BMD-D**

Rev. Date	Rev. #	Rev. Title
09-29-20	3	ENDVIEW UPDATE
07-22-20	2	OPTIONS UPDATE

**Hillphoenix**

A DOVER COMPANY