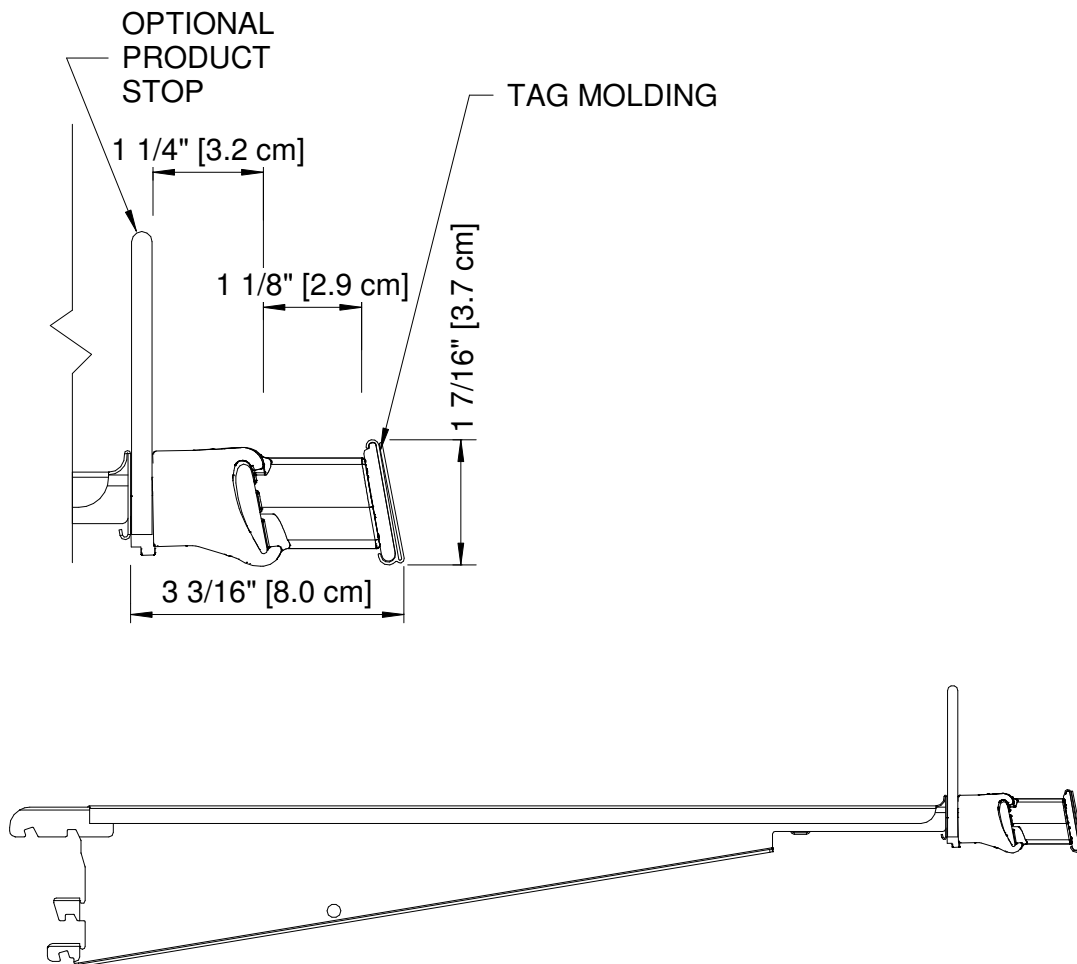


NOTES:

- Origin & 6 Series Multi-Deck Cases with Flat Shelves: up to 33% energy savings when evaporator settings are raised 3-4°.
- Shelf Depth affects energy savings performance. Maximize energy savings by using the following shelf configuration:
 - Standard depth cases: 24" shelf depths
 - Narrow depth cases: 20" shelf depths
- If using product stops, Ecoblade specific product stops must be used.
- If evaporator settings are not adjusted, then max product temperature will decrease and expect energy savings up to 20%.
- Raised evaporator settings listed above are recommended start-up settings. Final operational settings may need to be adjusted for the store condition in which the case operates.
- The 1st shelf above the deck pan does not require Ecoblade as it obstructs the access to the bottom bin and does not have a performance advantage.
- Minimum shelf depth for narrow cases is 14" & minimum shelf depth for standard cases is 18".



ALL MEASUREMENTS ARE TAKEN PER ASHRAE-72-2005 SPECIFICATIONS. HILLPHOENIX REFRIGERATED DISPLAY CASES FOR SALE IN THE UNITED STATES MEET OR EXCEED DEPARTMENT OF ENERGY 2017 REQUIREMENTS.

ECOBLADE

| Rev. Date | Rev. # | Rev. Title |
|-----------|--------|------------|
| 9-4-19 | 0 | ECOBLADE |
| | | |

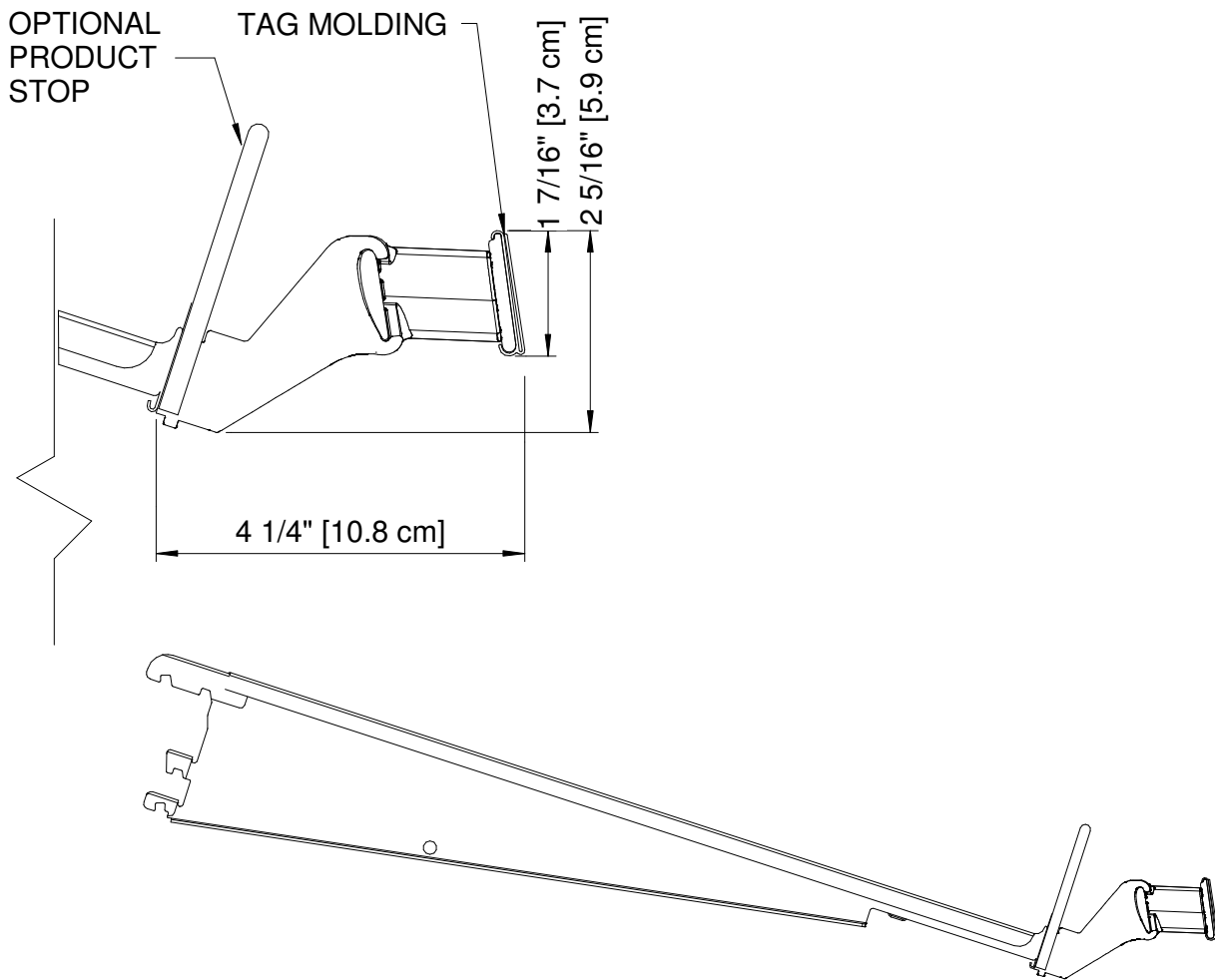


ECOBLADE

ENERGY SAVING SHELF ATTACHMENT ANGLED SHELVES

NOTES:

- Origin & 6 Series Multi-Deck Cases with angled shelves: up to 25% energy savings when evaporator settings are raised 3-4°F.
- Origin High Meat & Produce case models with Angled Shelves: up to 15% energy savings when evaporator settings are raised 3-4°F.
- Shelf Depth affects energy savings performance. Maximize energy savings by using the following shelf configuration:
 - Origin & 6 Series case models: Standard depth cases: 24" shelf depths
 - Origin & 6 Series case models: Narrow depth cases: 20" shelf depths
 - Origin High Meat & Produce case models: Standard depth cases: Cascading 18", 20", & 22" shelves
 - Origin High Meat & Produce case models: Narrow depth cases: Cascading 14", 16", & 18" shelves
- If using product stops, Ecoblade specific product stops must be used.
- Angled shelves for Ecoblade application must be 15°-17°.
- If evaporator settings are not adjusted, then max product temperature and energy savings will decrease.
- Raised evaporator settings listed above are recommended start-up settings. Final operational settings may need to be adjusted for the store condition in which the case operates.
- The 1st shelf above the deck pan does not require Ecoblade as it obstructs the access to the bottom bin and does not have a performance advantage.
- Minimum shelf depth for narrow cases is 14" & minimum shelf depth for standard cases is 18".



ALL MEASUREMENTS ARE TAKEN PER ASHRAE-72-2005 SPECIFICATIONS. HILLPHOENIX REFRIGERATED DISPLAY CASES FOR SALE IN THE UNITED STATES MEET OR EXCEED DEPARTMENT OF ENERGY 2017 REQUIREMENTS.

ECOBLADE

| Rev. Date | Rev. # | Rev. Title |
|-----------|--------|------------|
| 9-4-19 | 0 | ECOBLADE |
| | | |

