

ADVANTAGE
SERIES

FROZEN FOOD/ICE CREAM
GLASS FRONT JUMBO ISLAND
MERCHANTISERS

NFJG
NCJG
NTJG
NFMJG



TYLER

NFJG/NCJG/NTJG/NFMJG Frozen Food/ Ice Cream Glass Front Jumbo Island Merchandisers

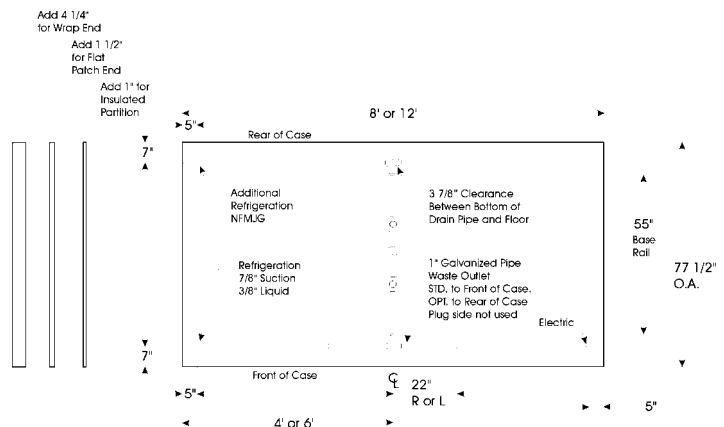
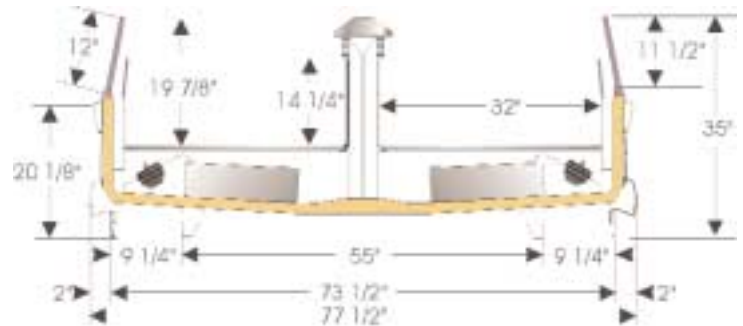
Tyler's NFJG/NCJG/NTJG/NFMJG Frozen Food/Ice Cream Glass Front Jumbo Island Merchandisers provide superior product visibility, with an assortment of temperature offerings. This series of merchandisers allows an amazing amount of merchandising flexibility for frozen food, produce or cheese products.

Standard Features

- U.L. certified to ANSI/NSF 7 Sanitation Standard.
- Energy efficient copper tube, aluminum fin coils ensure product integrity.
- Large 12" clear perimeter glass allows maximum product visibility.
- Durable, non-metallic corner protectors are available in colors to match bumpers.
- Environmentally safe CFC-free foam.
- Solid steel base structures add strength and durability.
- Removable fan assembly allows access to coil and drain pan.
- Seamless non-corrosive drain pan for ease of sanitation.
- Color-coded and labeled wiring speeds installation and setup.
- Electric defrost.
- Rigid vinyl bumper, handrail and raceway cover.

Optional Features

- E.C.M. fan motors reward you with exceptional energy savings.
- White powder coated display screens create your merchandising masterpiece.
- Flat or wrap-around ends are available as an alternative to the seven-foot end cases.
- Non-refrigerated superstructure shelving, with or without lights, adds a variety of merchandising options to your product presentations.
- Dual temperature and medium temperature applications are available per case or per well for the NFJG series.
- With the twin temperature NTJG series, you can merchandise frozen food and ice cream on opposite sides of the island.
- With split coils, each well of the NFMJG series can be on a separate system to merchandise frozen food or medium temperature products, or dual temp each well separately.
- Gas defrost.



Model	Case Length	Description	Capacity in Cubic Feet
NFJG8	8'	Frozen Food Jumbo Island	49.8
NFJG12	12'	Frozen Food Jumbo Island	74.7
NCJG8	8'	Ice Cream Jumbo Island	49.8
NCJG12	12'	Ice Cream Jumbo Island	74.7
NTJG8	8'	Frozen Food/Ice Cream Jumbo Island	49.8
NTJG12	12'	Frozen Food/Ice Cream Jumbo Island	74.7
NFMJG8	8'	Frozen Food Island with Split Coil	49.8
NFMJG12	12'	Frozen Food Island with Split Coil	74.7
NFJGE	54.5"	Frozen Food Jumbo Island End	17.5
NCJGE	54.5"	Ice Cream Jumbo Island End	17.5

All dimensions are nominal. Specifications are subject to engineering changes without notice.



www.tylerrefrigeration.com
e-mail sales@tylerrefrigeration.com
1-800-992-3744

A member of the United Technologies Corporation family
Stock symbol UTX.



A Division of Carrier Commercial Refrigeration, Inc.
1329 Lake Street
Niles, MI 49120

TY-866 4/02
Printed in U.S.A.