

D2VL PRODUCE MERCHANDISER

Tyler Refrigeration Corporation

1078 Btuh/Ft. @ + 25°F Suction & + 35°F Entering Air Temp.

CASE MODELS	LINEAL FEET	75°F (24°C) Store 1000 Btuh/hr Req'd.	CONDENSING UNIT SELECTION CHART R-22					LINE SIZING					ELECTRICAL DATA						
			AIR ENTERING THIS CONDENSING UNIT THN (Remote) Units can be Selected provided Cond is sized for 10-15F TD or less					SUCTION LINE					LIQUID	DEFROST		120 VOLT DATA			
			85F 30C	90F 32C	95F 35C	100F 38C	105F 41C	M	E	T	E	R		Equivalent Feet	50	100	150	200	250
8' 12'	6	6.5	075-22S					5/8"					3/8	TC	1.0	.7	.3	.7	
1	8	8.6	110-22S					5/8"					3/8		1.0	.7	.3	1.1	
	12	12.9	150-22S					7/8"					3/8		1.5	1.1	.5	1.1	
2	16	17.3	200-22S					7/8"					3/8		2.0	1.4	.6	2.2	
1	20	21.5	300-22H					7/8"					3/8		2.5	1.8	.8	2.2	
	24	25.9	300-22S					1 1/8"					1/2		3.0	2.2	1.0	2.2	
2	28	30.2	400-22S					1 1/8"					1/2		3.5	2.5	1.1	3.3	
1	32	34.5	D501-22S					1 1/8"					1/2		4.0	2.9	1.3	3.3	
	36	38.8	D551-22S					1 1/8"					1/2		4.5	3.3	1.5	3.3	
2	40	43.1	D741-22S					1 3/8"					5/8		5.0	3.6	1.6	4.4	
1	44	47.4						1 3/8"					5/8		5.5	4.0	1.8	4.4	
	48	51.7						1 3/8"					5/8		6.0	4.4	2.0	4.4	
2	52	56.1						1 3/8"					5/8		6.5	5.1	2.1	5.5	

- **CASE CIRCUITS: (120-1-60) - (A)** Includes Standard Fans - **(B)** Includes HEF (Hi-Efficiency) Fans - **(C)** Includes Standard rear riser anti-sweat heater only - **(D)** Includes 1 row of T-8 Canopy lights w/T-8 electronic ballasts.

ANNUAL COMPARATIVE OPERATING COST PER FOOT OF CASE (C.O.C.)

CONTROL SETTINGS (R-22)

CASE	Fans/HEF*	A/S Heat	Lights	Condensing Unit	TOTALS††	DEFROST CONTROL			PRESSURE	
	\$.77	\$.40	\$.74	\$10.55	\$12.45	P/Day	Mode	Failsafe	Term.	CUT IN: 58-64#
8'	70w	36w	136w			2	Timed Off	40 Min.	55°	CUT OUT: 30-33#
12'	105w	55w	204w							

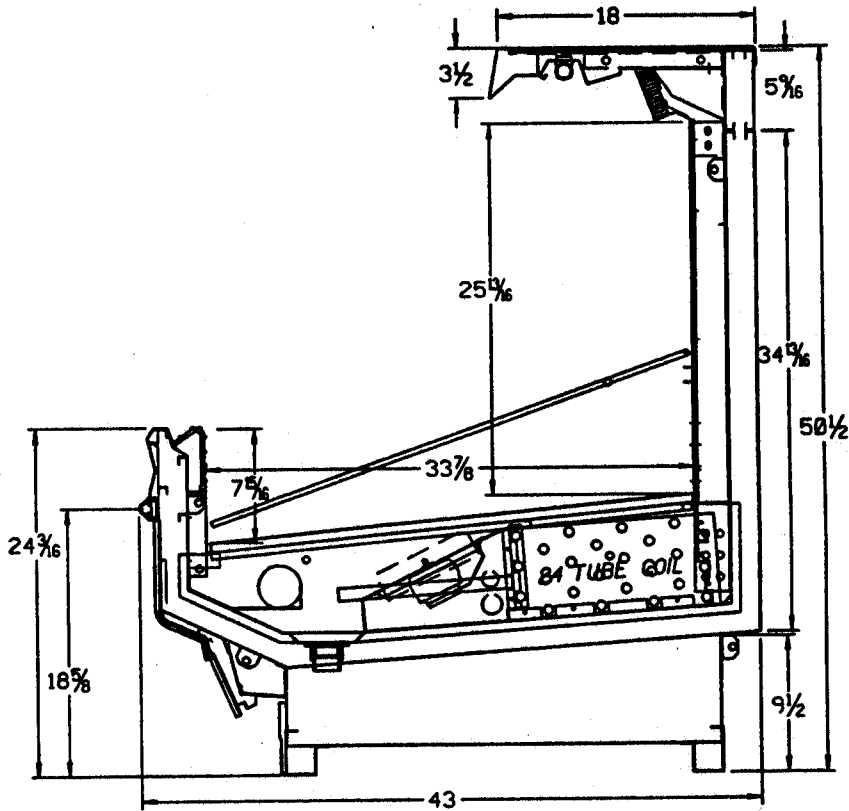
Case Ft. x C.O.C. = *Cost per Year* @ 1¢/KWH. USE TOTALS TO COMPARE CASES & OPTIONS! *HEF Efficiency Fans *11@ 1¢/KWH (208V Def. Not Incl.)

CASE BTUH REQUIREMENTS are calculated to produce approximately the indicated entering case air temp with absolute maximum operating ambient limits of 75F & 55% RH. **SUCTION LINE SIZING:** Select the point of intersection of the case line-up and the equivalent footage. Allow for all fittings in addition to the actual line length. **STEP SIZING** is suggested for selections falling in the first half of a size range. Pipe one size smaller can be used on the 50' of the run closest to the cases when the entire run is 100 equivalent feet or more. **LIQUID LINE SIZING** is based on 5lb. pressure drop in 150' of line. See complete line size charts in front of the **TYLER SPEC GUIDE BOOK**.

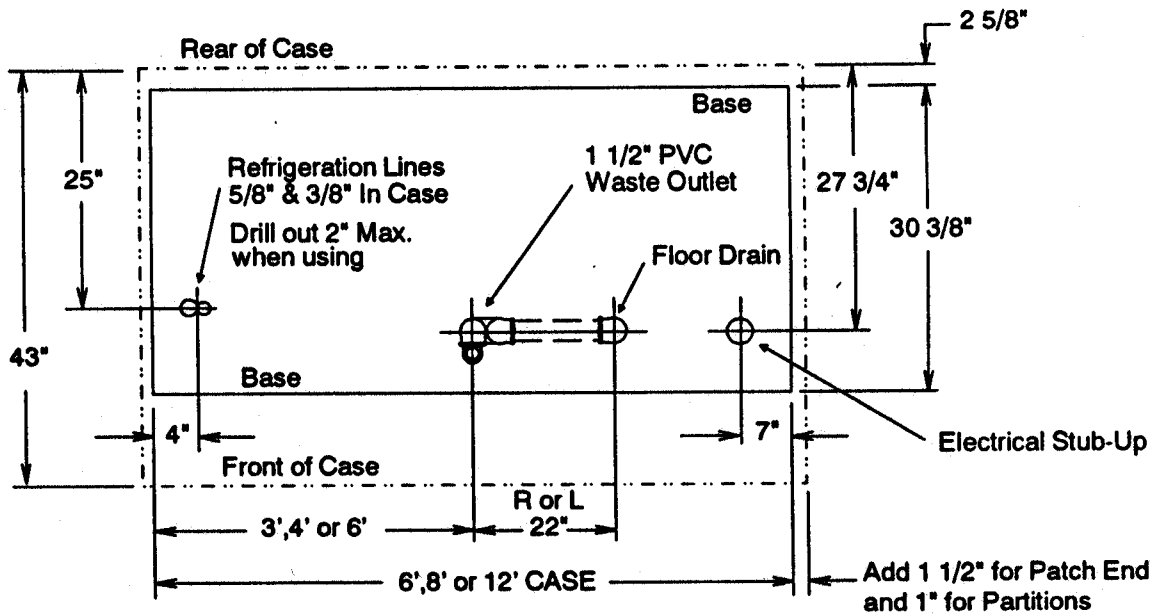
The information contained herein is based on technical data and tests which we believe to be reliable and is intended for use by persons having technical skill, at their own discretion and risk. Since conditions of use are outside Tyler's control, we can assume no liability for results obtained or damages incurred through the applications of the data presented. **SPECIFICATIONS ARE SUBJECT TO CHANGE WITHOUT NOTICE. Printed in the U.S.A.**

C:\MANUALS\D2VL\SPEC\D2VL.CHP

D2VL PRODUCE MERCHANDISER



CROSS SECTION



FLOOR PLAN

C:\MANUAL\SD2VL\SPEC\D2VLXSEC.CHP